

[54] ELECTROPHOTOGRAPHICAL  
DUPLICATOR

[75] Inventors: Shigeru Kurozumi; Isao Kitai, both of  
Osaka, Japan

[73] Assignee: Sharp Kabushiki Kaisha (Sharp  
Corporation), Osaka, Japan

[\*\*] Term: 14 Years

[21] Appl. No.: 900,281

[22] Filed: Apr. 26, 1978

[30] Foreign Application Priority Data

Oct. 27, 1977 [JP] Japan ..... 52-43187

[51] Int. Cl. .... D16-03

[52] U.S. Cl. .... D16/31

[58] Field of Search ..... D16/27, 28, 29, 30,  
D16/31, 32; 355/3 R, 8, 9, 12

[56] References Cited

U.S. PATENT DOCUMENTS

D. 222,298	10/1971	Ishii .....	D16/31
D. 231,129	4/1974	Case et al. ....	D16/31
D. 247,296	2/1978	Nakade .....	D16/31
D. 248,957	8/1978	Kitai et al. ....	D16/31
D. 251,912	5/1979	Nakade .....	D16/31

OTHER PUBLICATIONS

Office Products-Jul. 1977-pp. 21-24-Sharp Copier  
SF-730.

Primary Examiner—Catherine E. Kemper  
Attorney, Agent, or Firm—Paul D. Flehr

[57] CLAIM

The ornamental design for an electrophotographical  
duplicator, as shown and described.

DESCRIPTION

FIG. 1 is a perspective view of the electrophoto-  
graphical duplicator with the trays extended and in-  
stalled showing our new design;

FIG. 2 is a top view thereof with the trays retracted and  
removed;

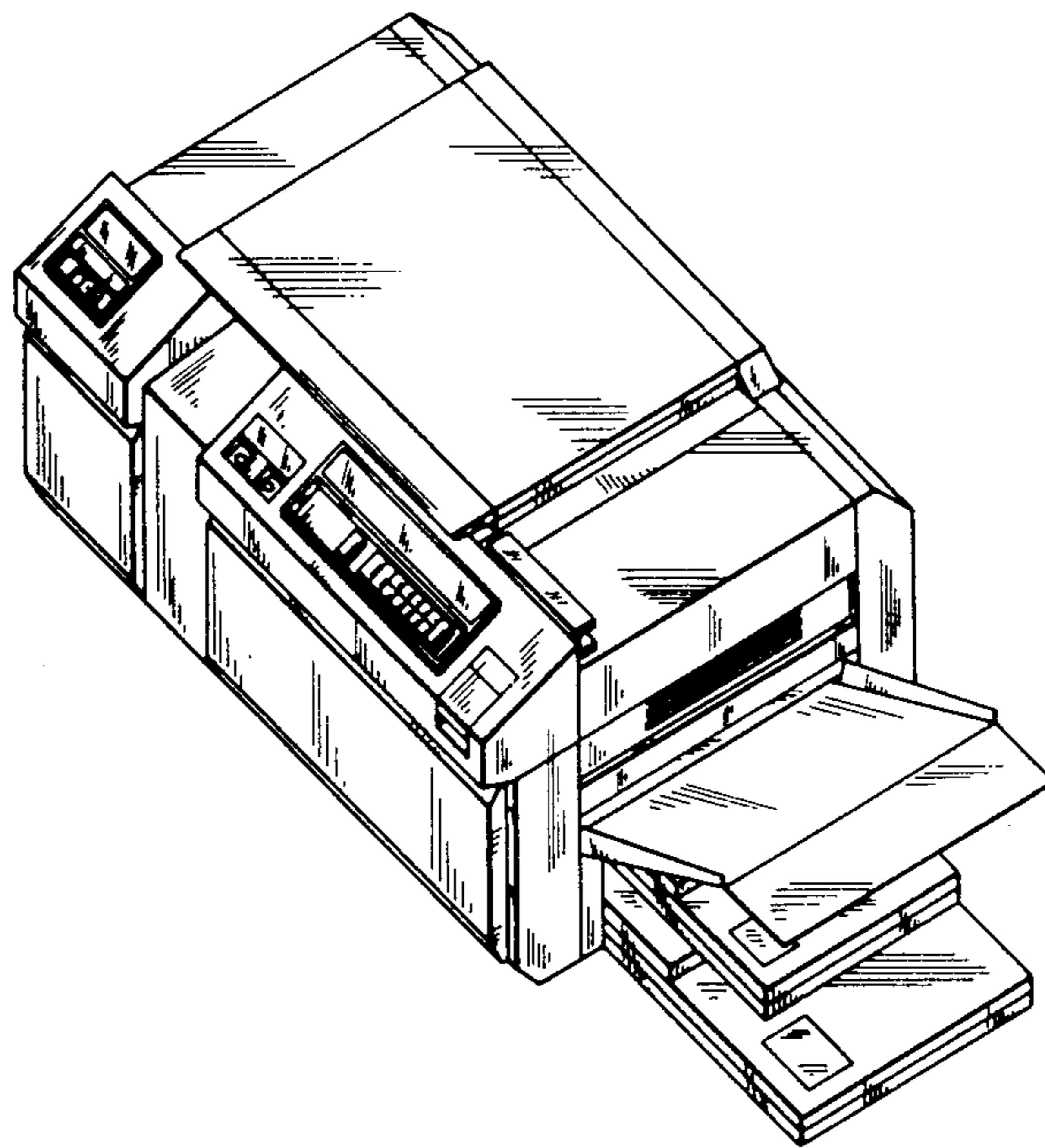
FIG. 3 is a front elevational view thereof with the trays  
retracted and removed;

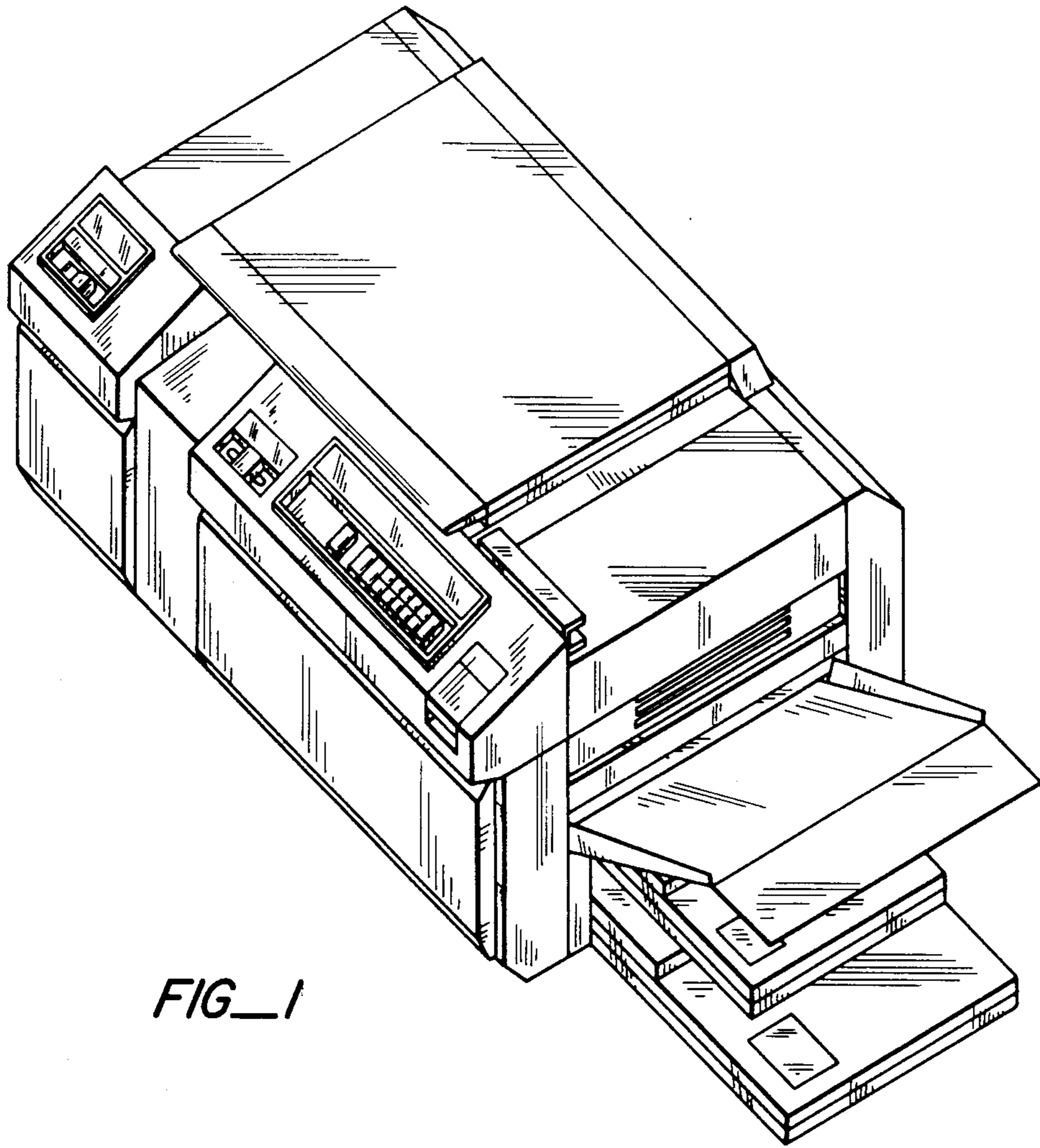
FIG. 4 is a rear elevational view thereof with the trays  
retracted and removed;

FIG. 5 is a bottom view thereof with the trays retracted  
and removed;

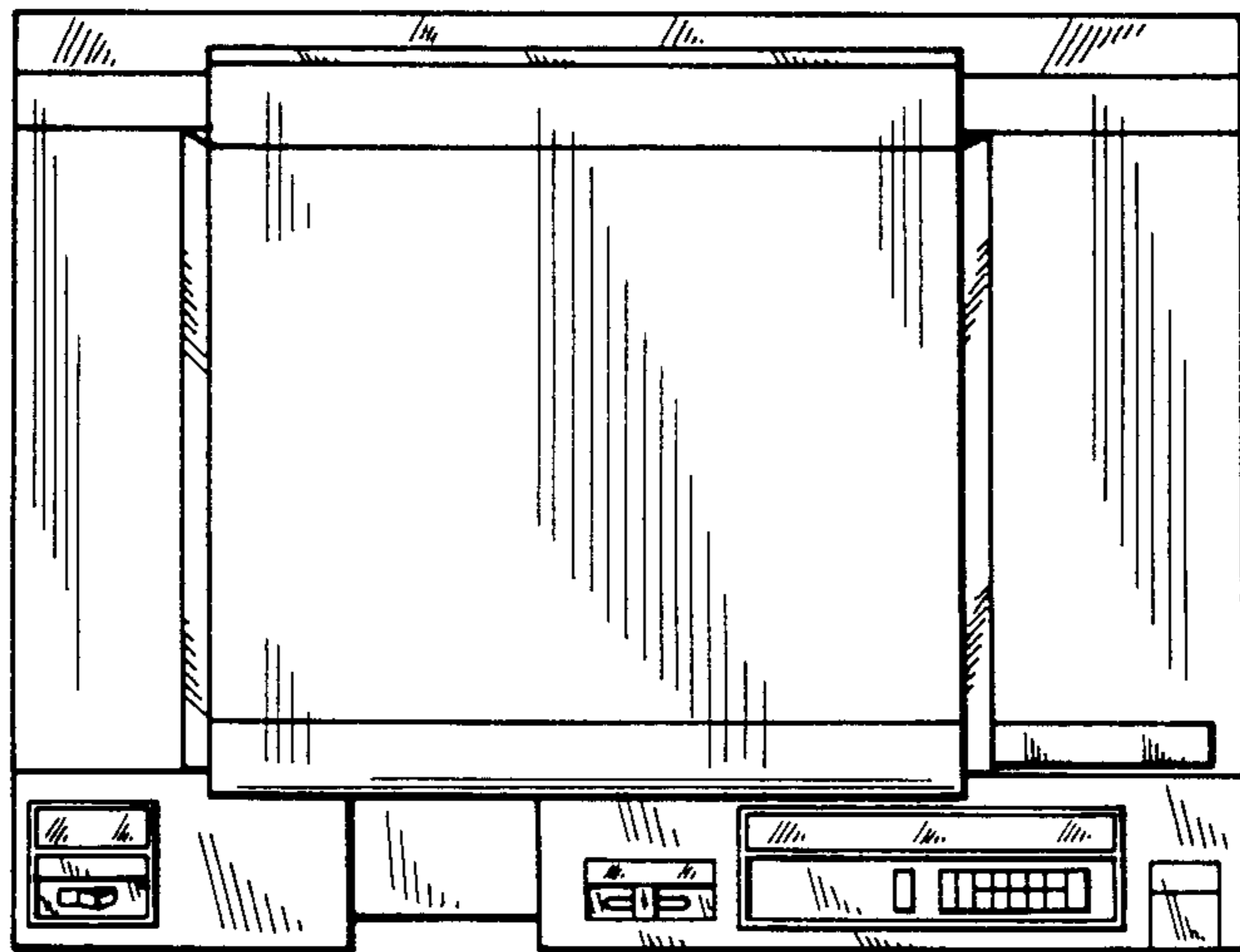
FIG. 6 is a right elevational view thereof with the trays  
retracted and removed; and

FIG. 7 is a left elevational view thereof with the trays  
retracted and removed.

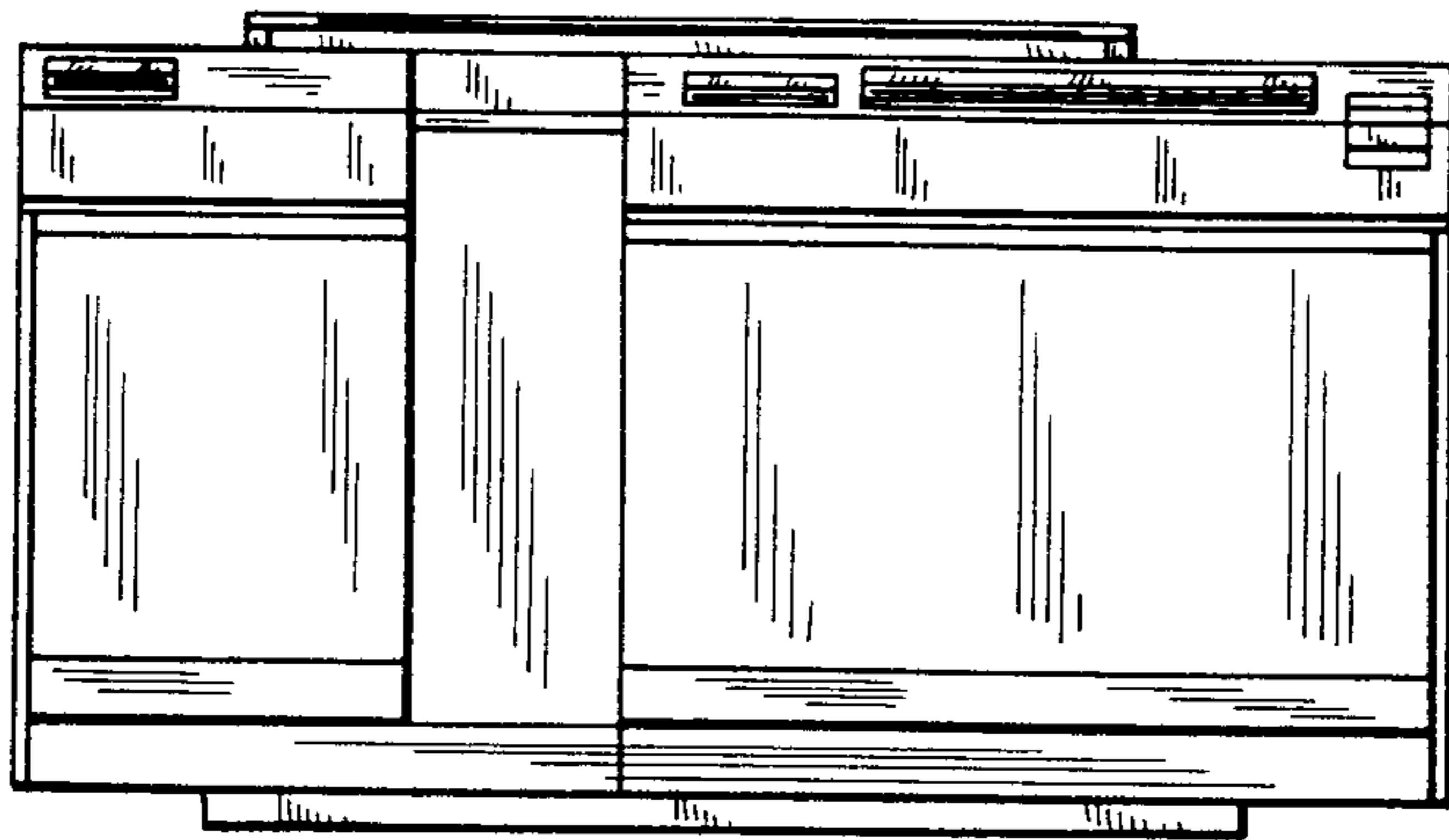




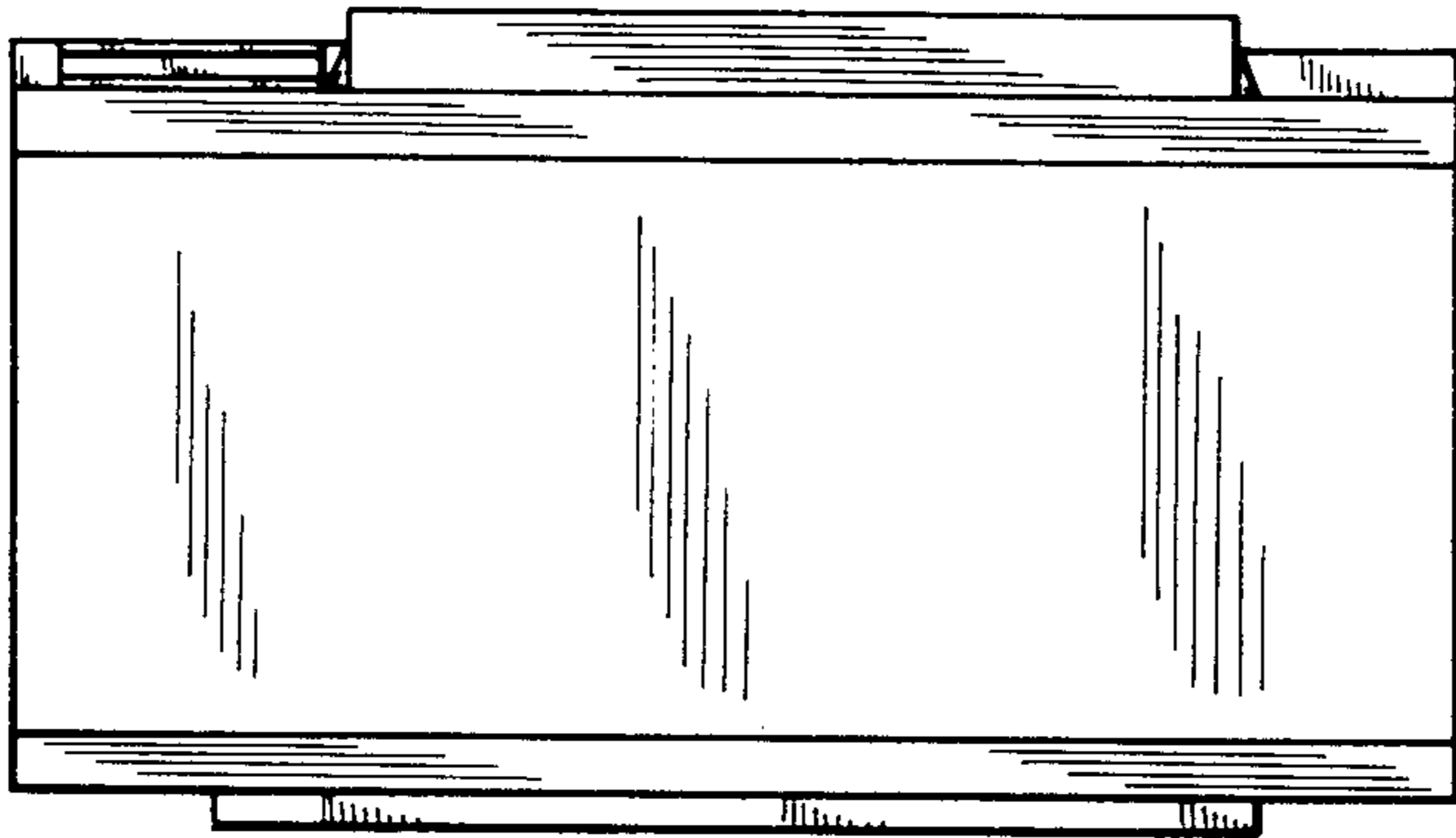
FIG\_1



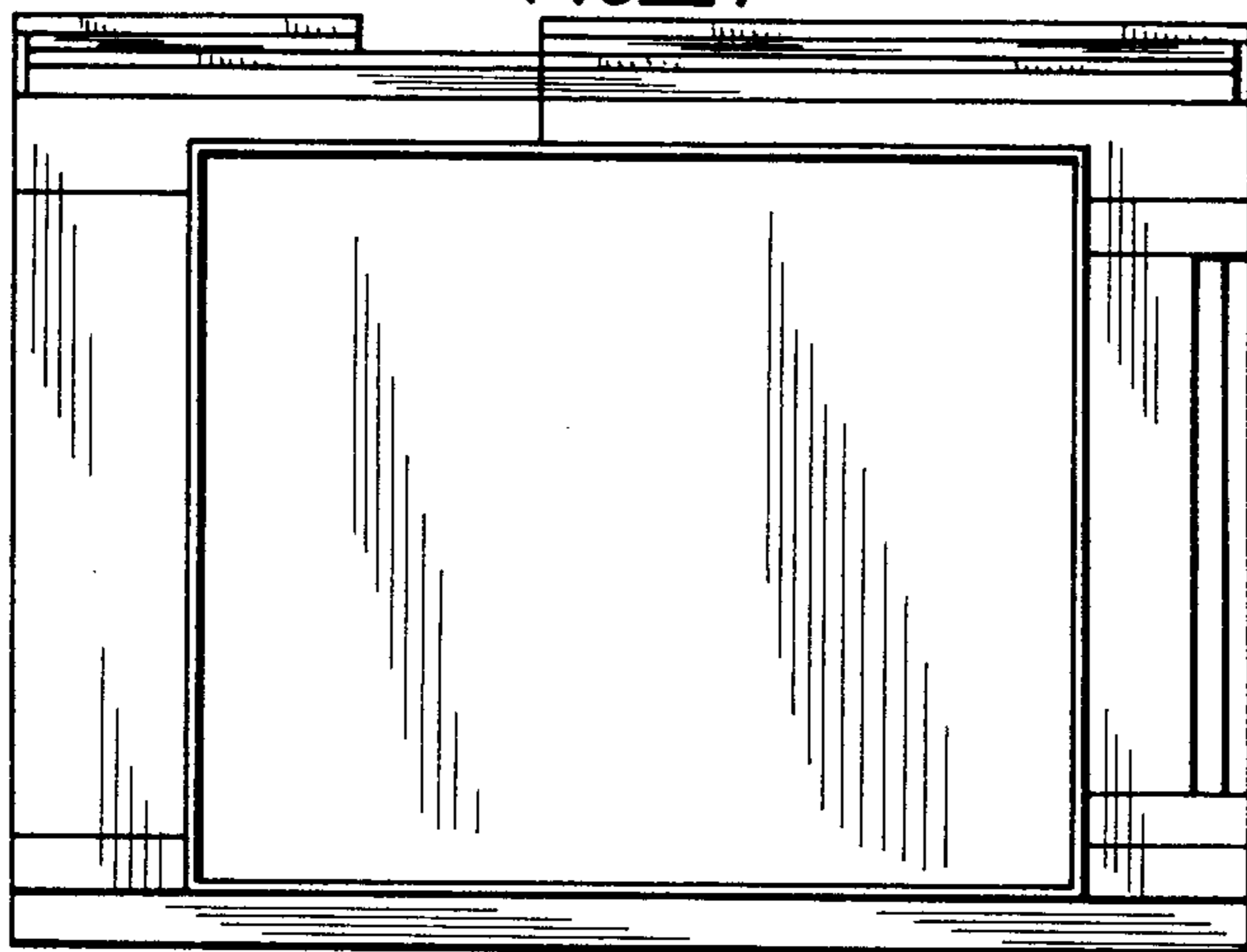
FIG\_2



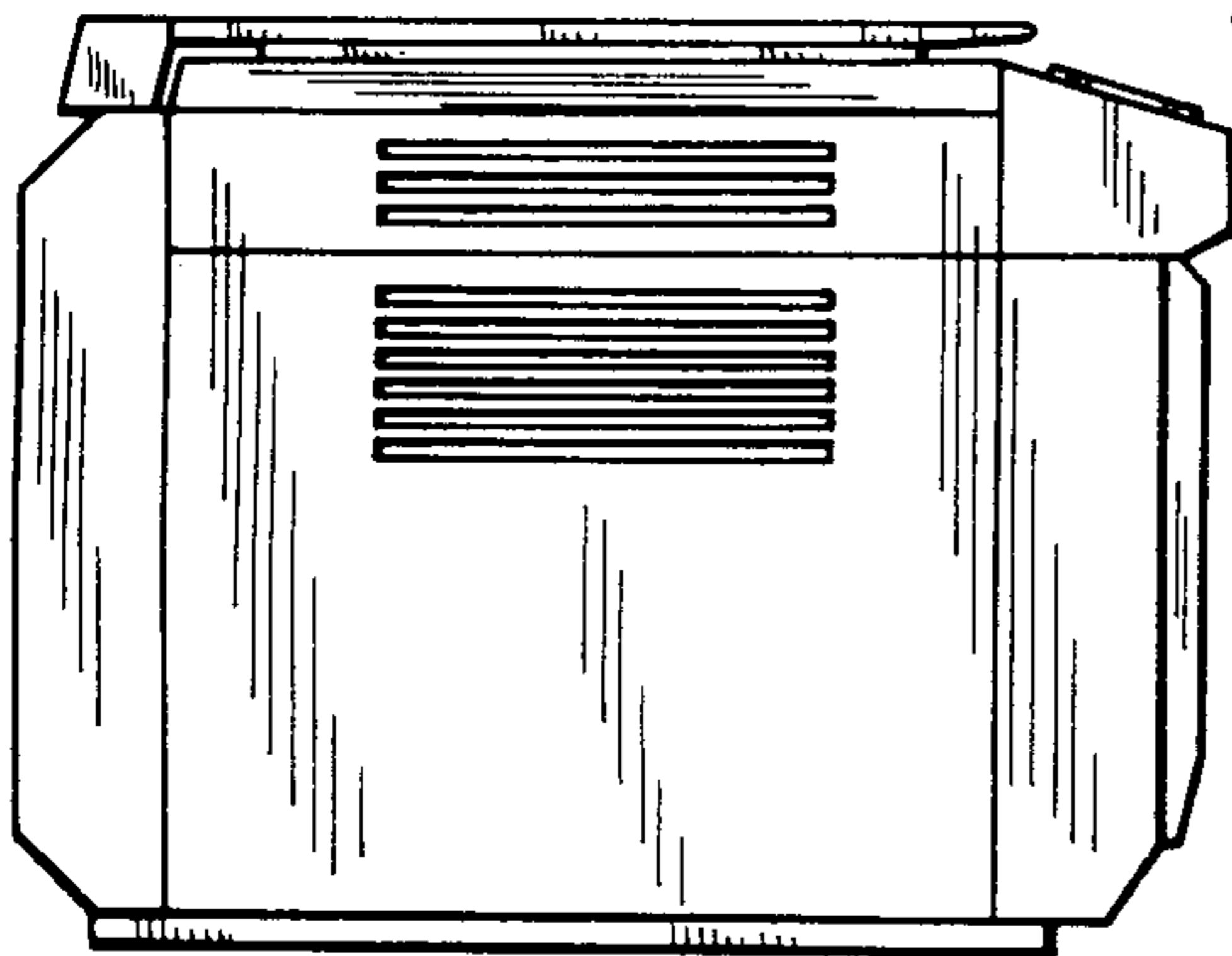
FIG\_3



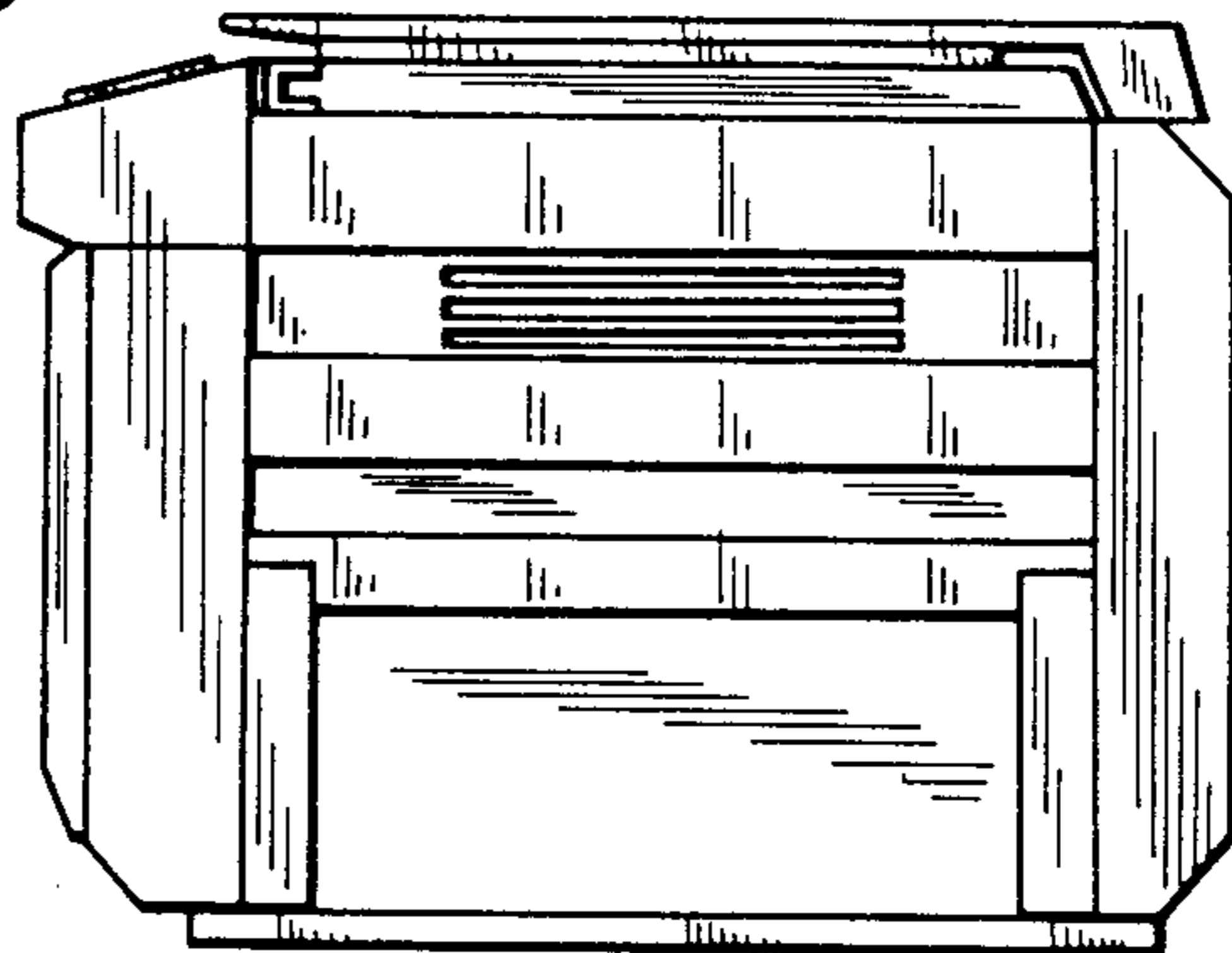
FIG\_4



FIG\_5



FIG\_7



FIG\_6