

[54] DRINKING FOUNTAIN

[76] Inventor: Peter Sörensen, Rotnäsvägen 43,
14142 Huddinge, Sweden

[**] Term: 14 Years

[21] Appl. No.: 894,645

[22] Filed: Apr. 7, 1978

[51] Int. Cl. D23-01

[52] U.S. Cl. D15/118; D23/13;
239/24

[58] Field of Search D15/118, 112, 111, 92;
D23/13, 49; 239/24

[56] References Cited

U.S. PATENT DOCUMENTS

D. 232,866 9/1974 Mann D18/13
D. 252,207 6/1979 Haws et al. D15/118

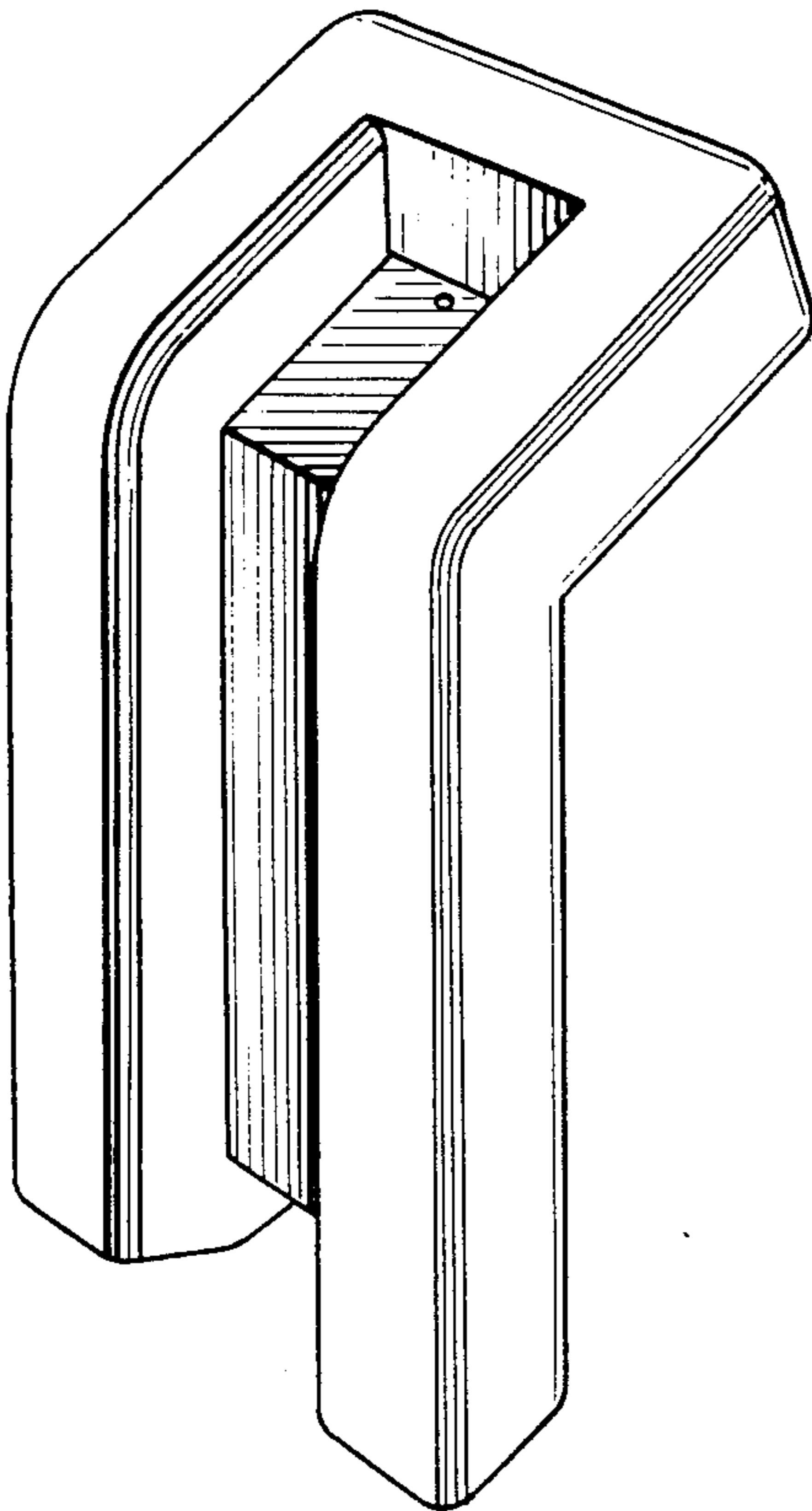
Primary Examiner—Donald B. Moyer
Attorney, Agent, or Firm—Charles B. Spencer

[57] CLAIM

The ornamental design for a drinking fountain, substan-
tially as shown and described.

DESCRIPTION

FIG. 1 is a perspective view of a drinking fountain
showing my new design;
FIG. 2 is a front elevational view; and
FIG. 3 is a left side elevational view the right side being
a mirror image, thereof.



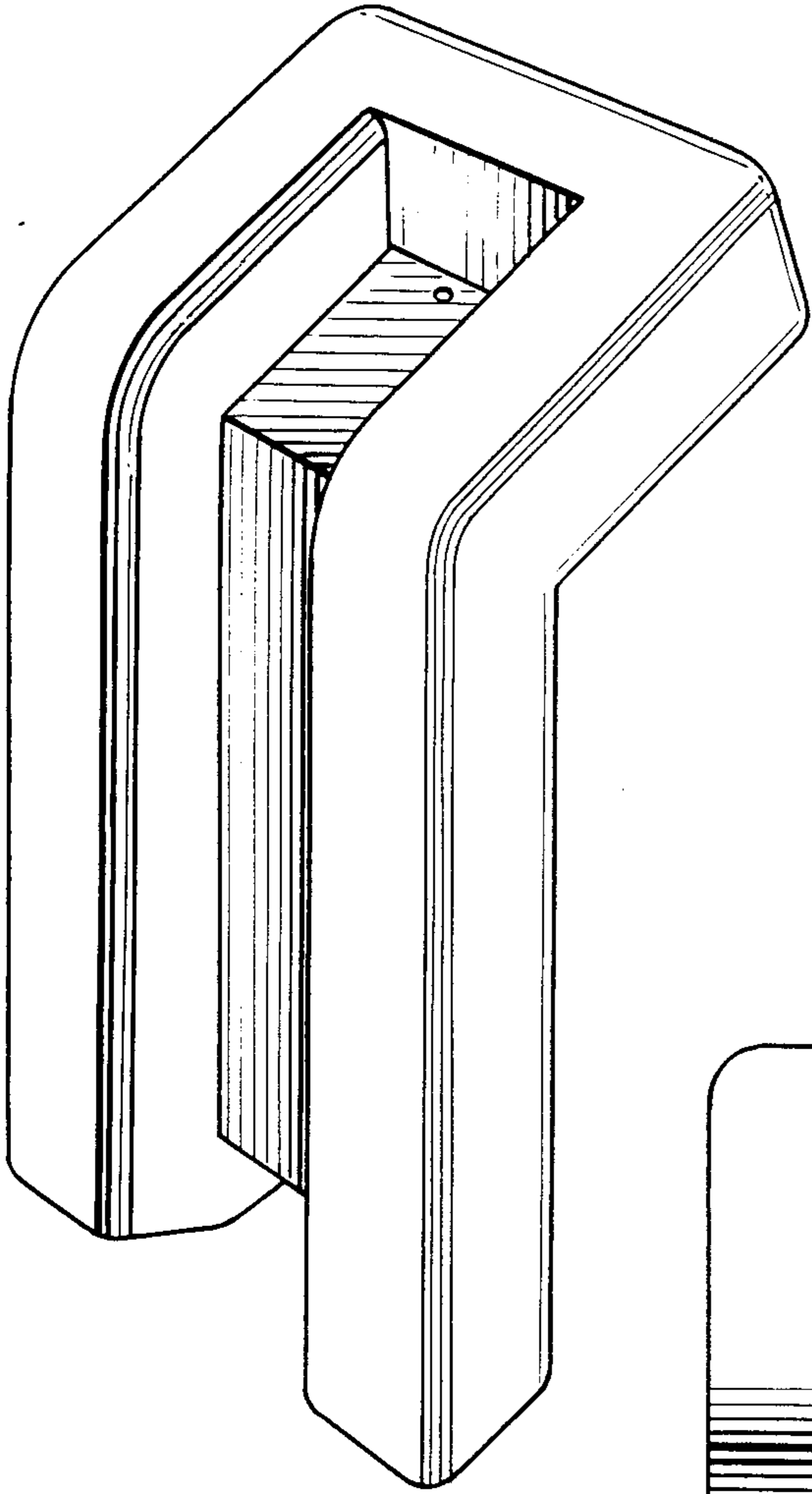


Fig. 1.

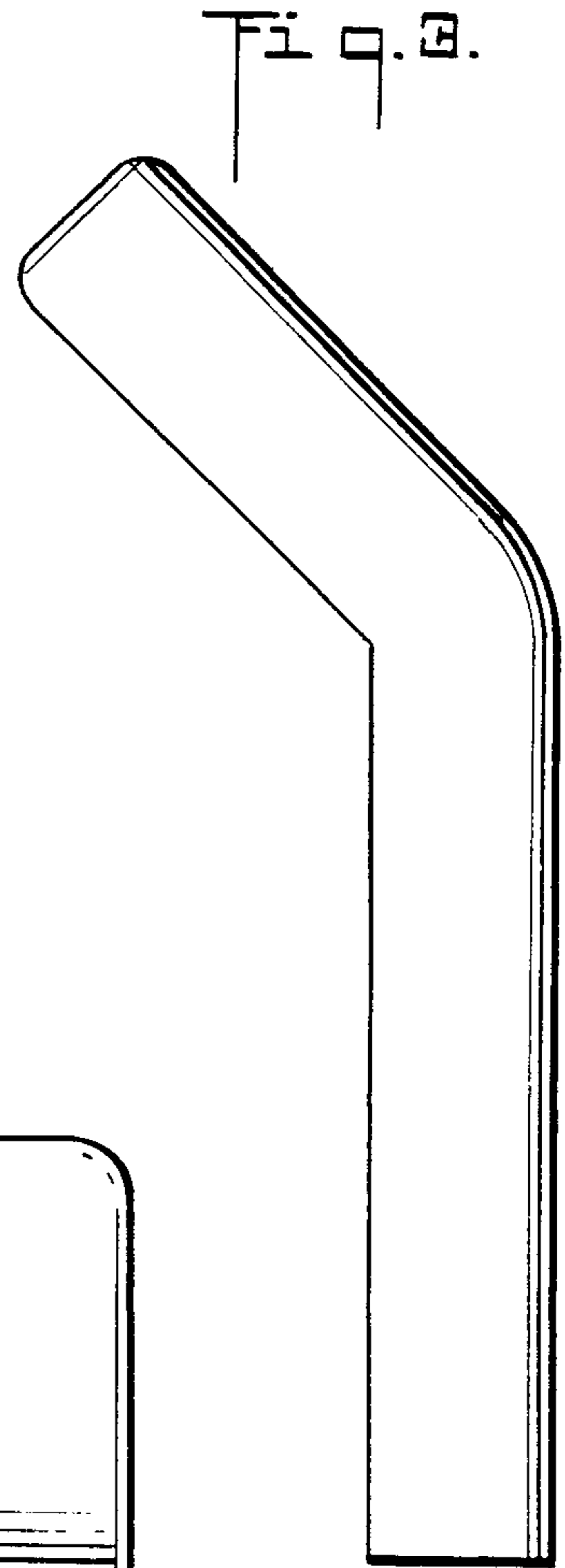


Fig. 3.

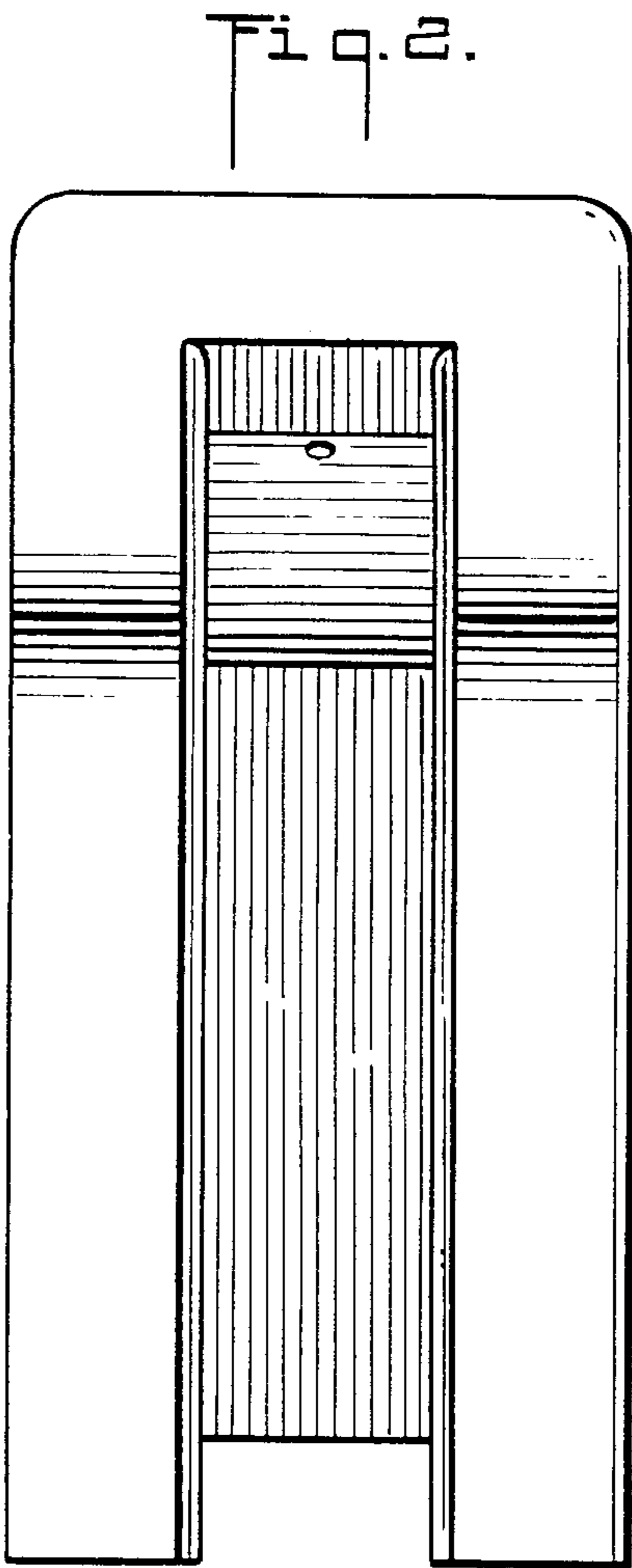


Fig. 2.