

[54] CROP SPRAYING TRAILER

[76] Inventors: Otho A. Clark; Ralph V. Pearson, both of Rte. 1, Independence, Mo. 64050

[\*\*] Term: 14 Years

[21] Appl. No.: 925,607

[22] Filed: Jul. 17, 1978

[51] Int. Cl. .... D15-03

[52] U.S. Cl. .... D15/13

[58] Field of Search ..... D15/13; 239/172, 167, 239/166, 161

[56] References Cited PUBLICATIONS

Implement & Tractor Product File Issue, 3/31/77, P 160, Trailer Sprayer, top right hand side of page.

Implement & Tractor, 4/21/77, P 26, Trailer Sprayer, center left hand side of page.

Implement & Tractor, 5/7/77, P. 53, Gooseneck Trailer Hitch Grain Carrier, center left hand side of page.

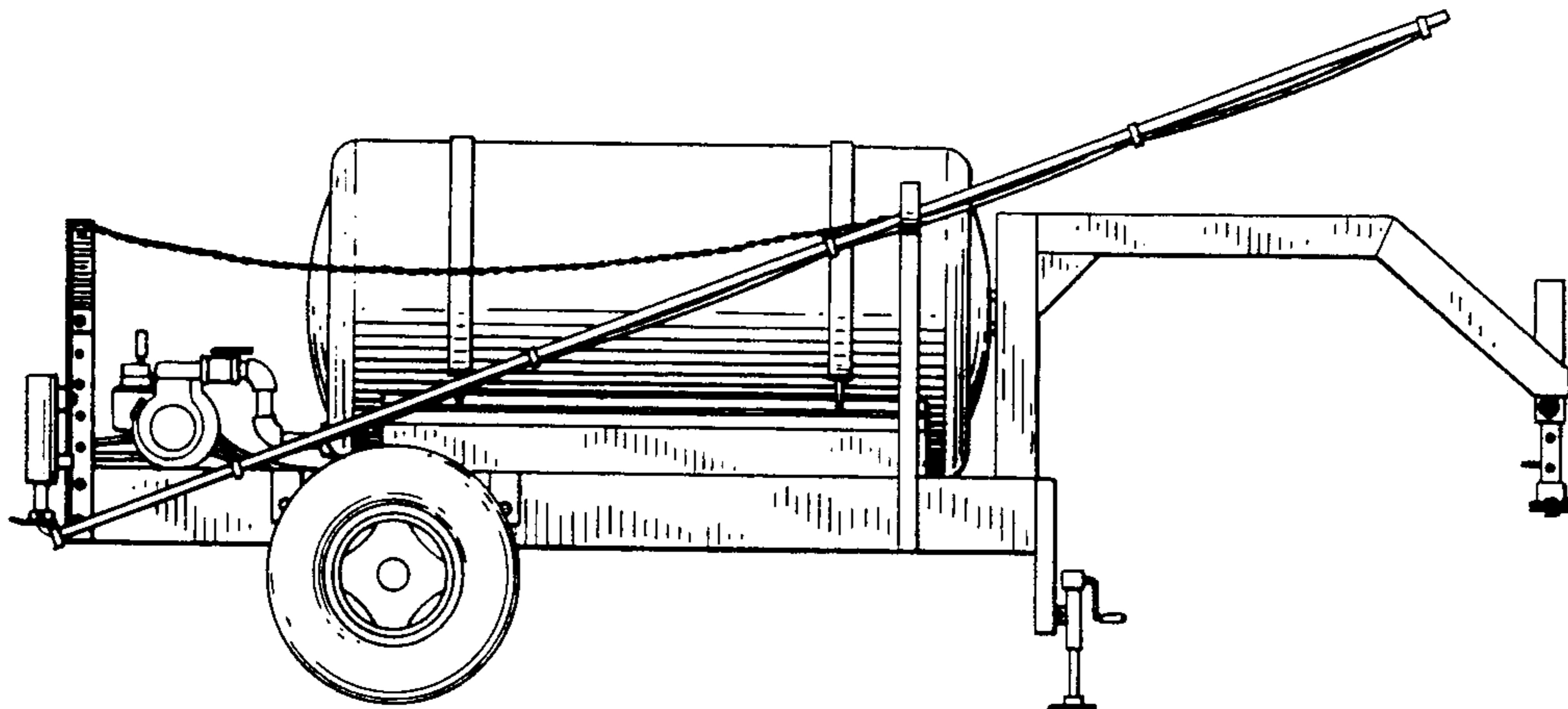
Primary Examiner—James M. Gandy Attorney, Agent, or Firm—Gordon D. Schmidt

[57] CLAIM

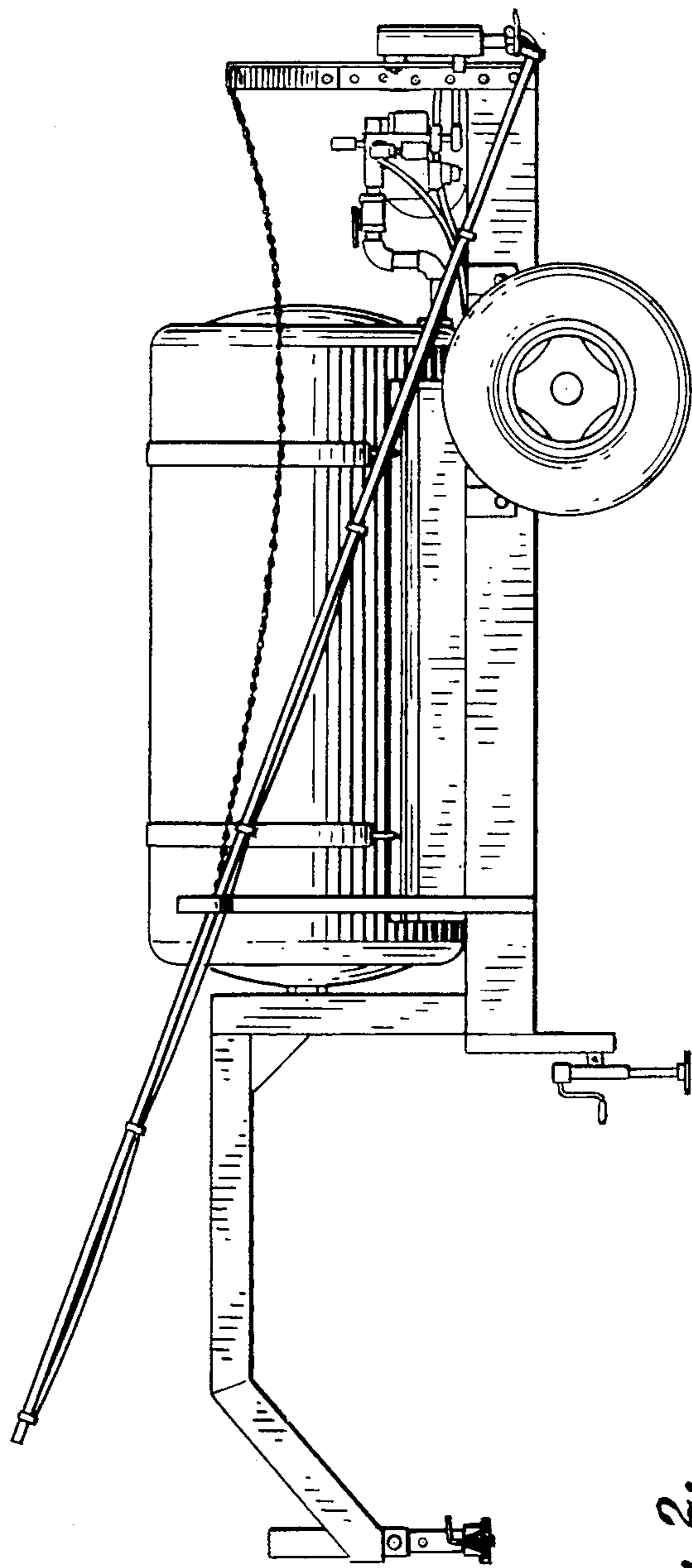
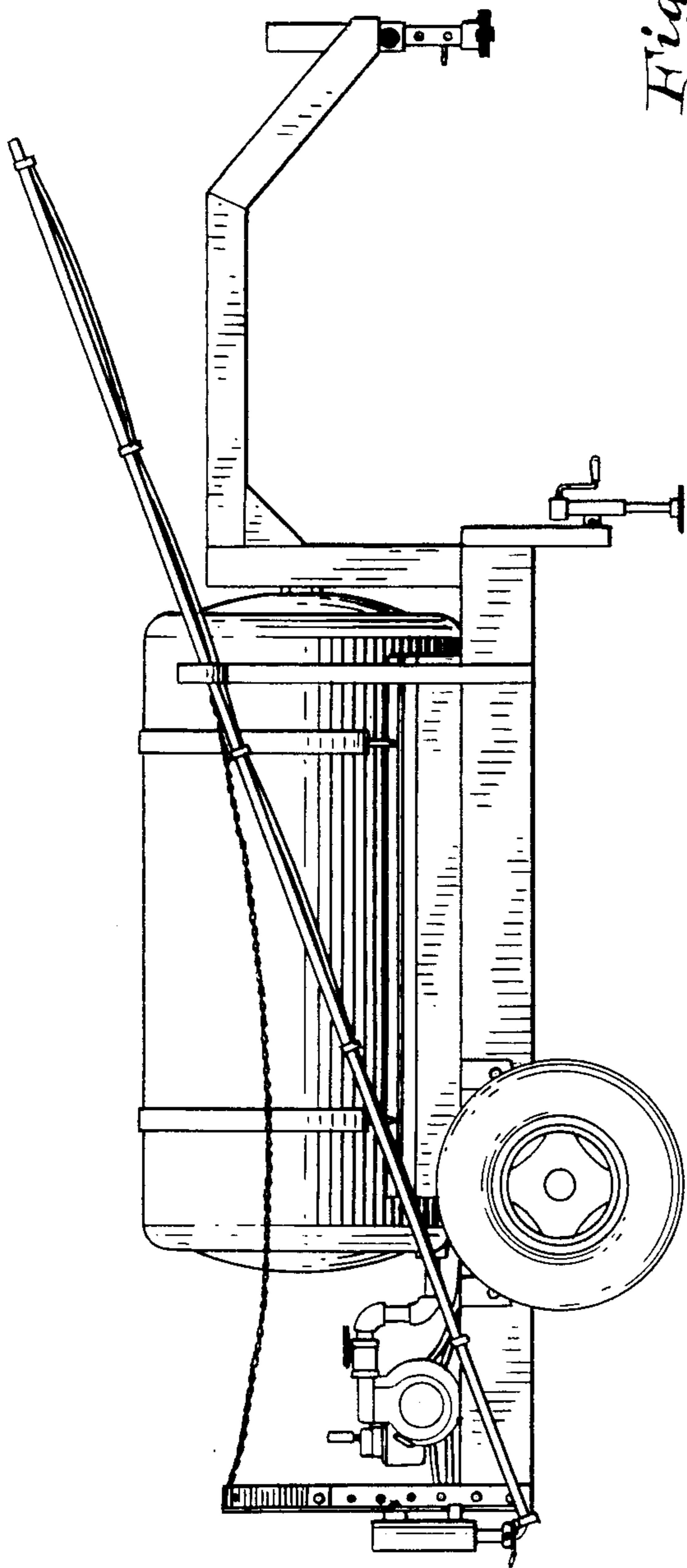
The ornamental design for a crop spraying trailer, as shown and described.

DESCRIPTION

FIG. 1 is an elevational view showing one side of a crop spraying trailer showing our new design; FIG. 2 is an elevational view showing the opposite side thereof; FIG. 3 is a top plan view thereof; FIG. 4 is an elevational view showing one end thereof; and FIG. 5 is an elevational view showing the opposite end thereof.

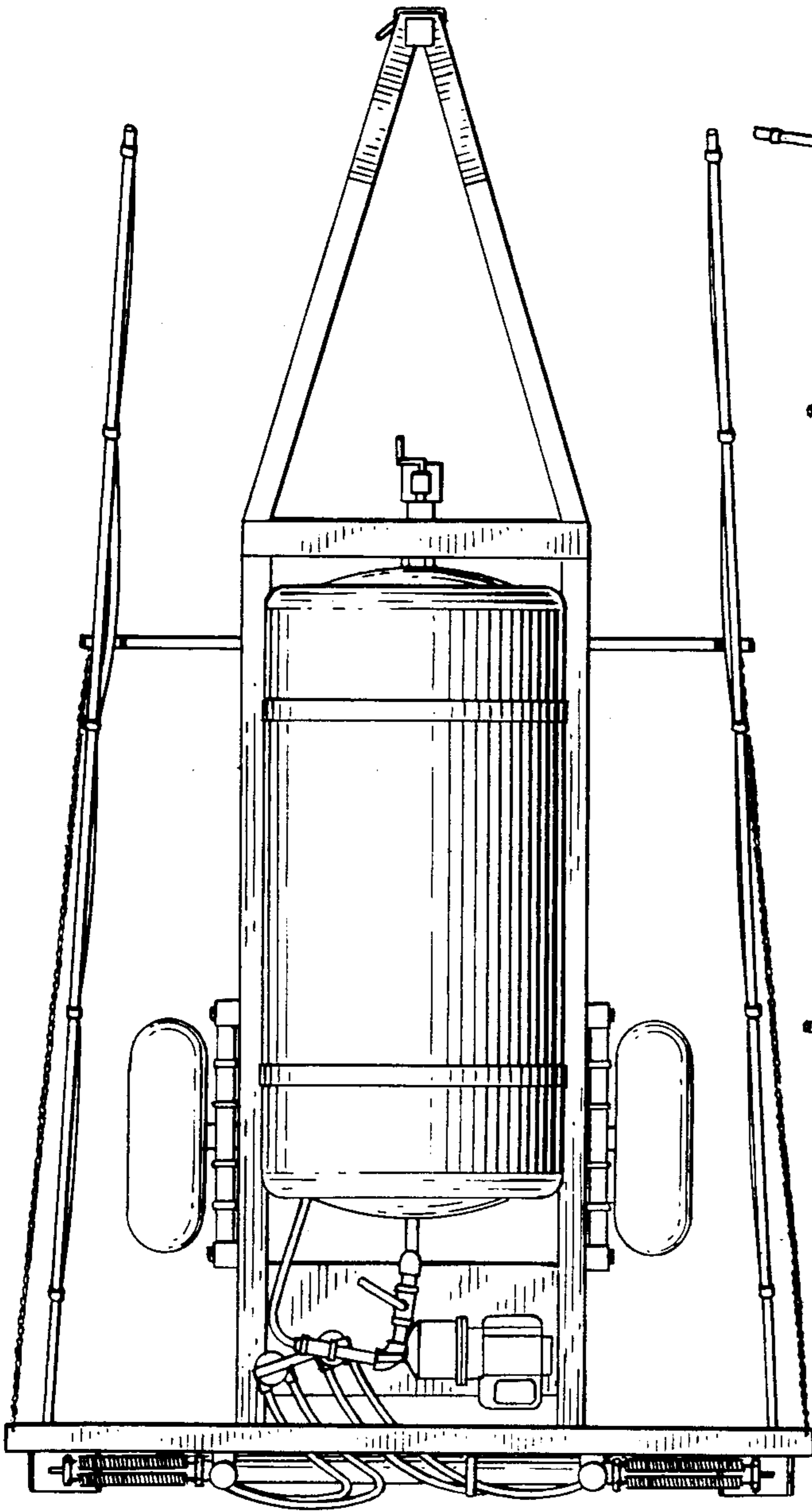


*Fig. 1.*

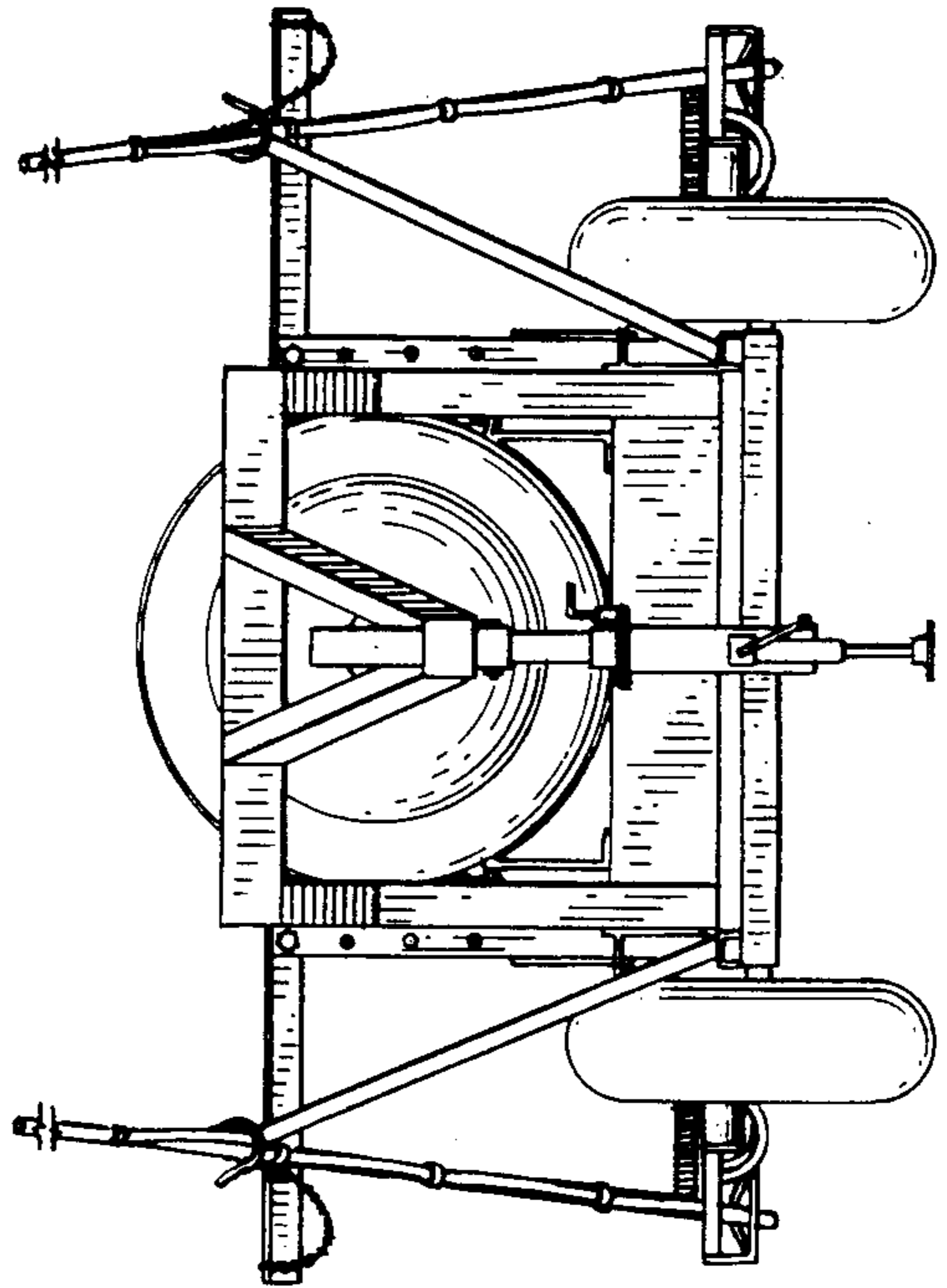
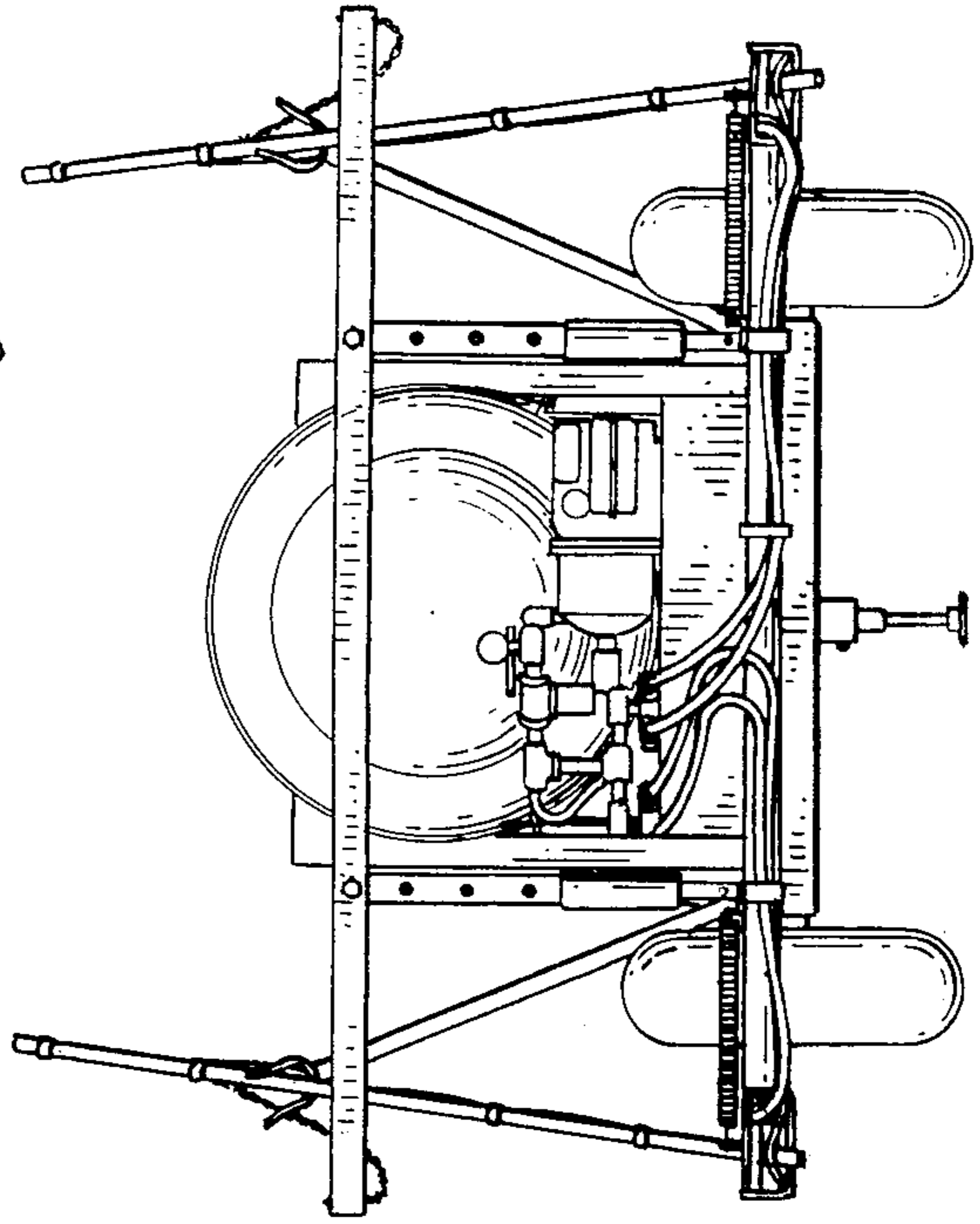


*Fig. 2.*

*Fig. 3.*



*Fig. 5.*



*Fig. 4.*