

[54] MICRO CASSETTE TAPE RECORDER

[75] Inventor: Kunishige Miki, Katano, Japan

[73] Assignee: Matsushita Electric Industrial Co., Ltd., Kadoma, Japan

[**] Term: 14 Years

[21] Appl. No.: 947,228

[22] Filed: Sep. 29, 1978

[30] Foreign Application Priority Data

Apr. 28, 1978 [JP] Japan 53-17880

[51] Int. Cl. D14-01; D14-03

[52] U.S. Cl. D14/6; D14/3

[58] Field of Search D14/3, 6; 242/199; 274/17, 21; 360/74.1, 93, 69, 137, 96.1, 55, 105, 83

[56] References Cited

U.S. PATENT DOCUMENTS

D. 221,383	8/1971	Maliskas	D14/6
D. 243,345	2/1977	Theresia et al.	D14/6 X
D. 251,665	4/1979	Ebata et al.	D14/3 X
D. 251,782	5/1979	Culbertson	D14/6
D. 252,512	7/1979	Van Deuren	D14/6
4,021,856	5/1977	Motoyama et al.	360/74

Primary Examiner—Bernard Ansher
Attorney, Agent, or Firm—Richard C. Sughrue

[57] CLAIM

The ornamental design for a micro cassette tape recorder, as shown.

DESCRIPTION

FIG. 1 is a front, top and right side perspective view of a micro cassette tape recorder showing my new design; FIG. 2 is a rear elevational view thereof; FIG. 3 is a top plan view thereof; FIG. 4 is a bottom plan view thereof; FIG. 5 is a left side elevational view thereof; and FIG. 6 is a right side elevational view thereof.

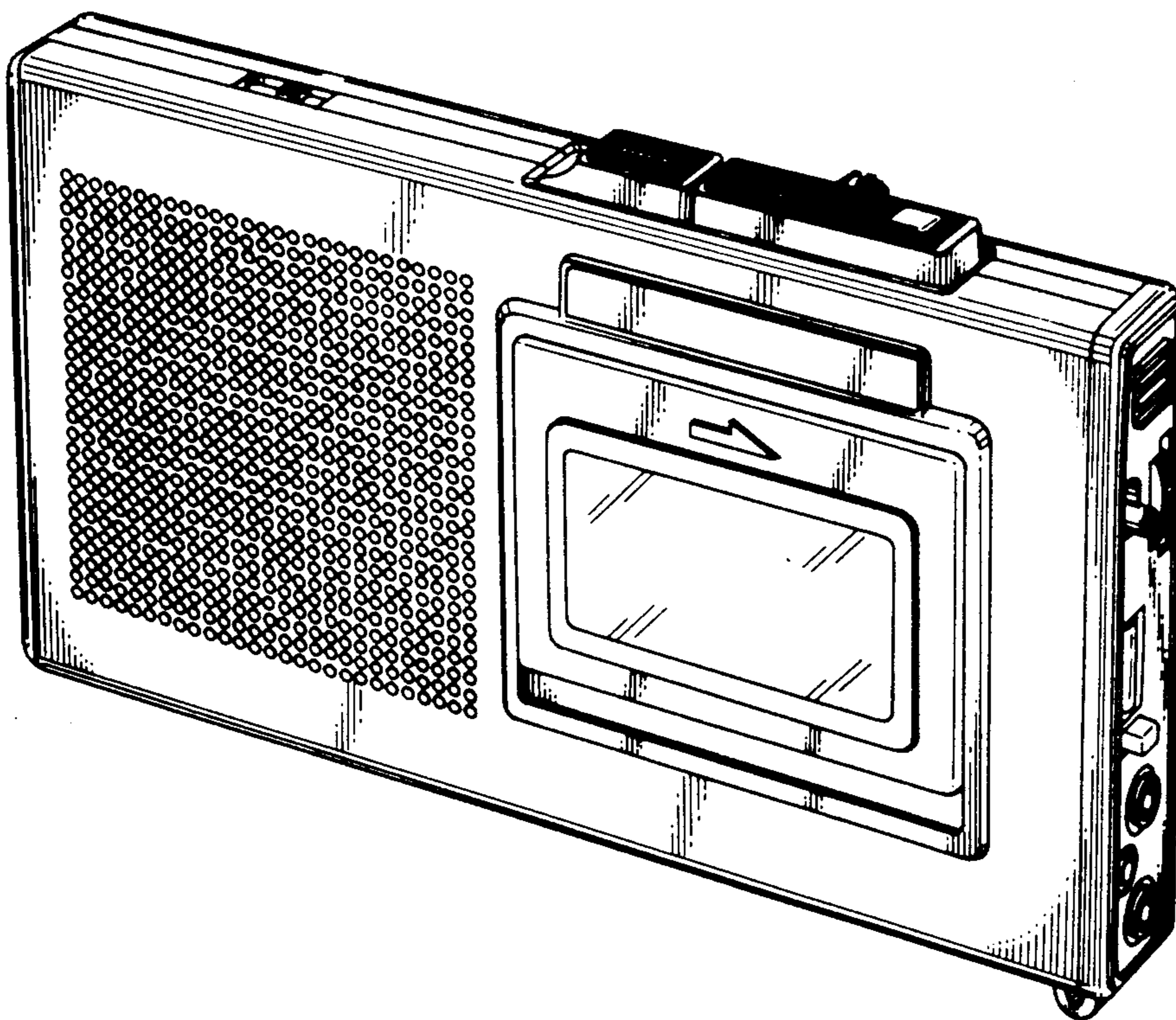


Fig. 1

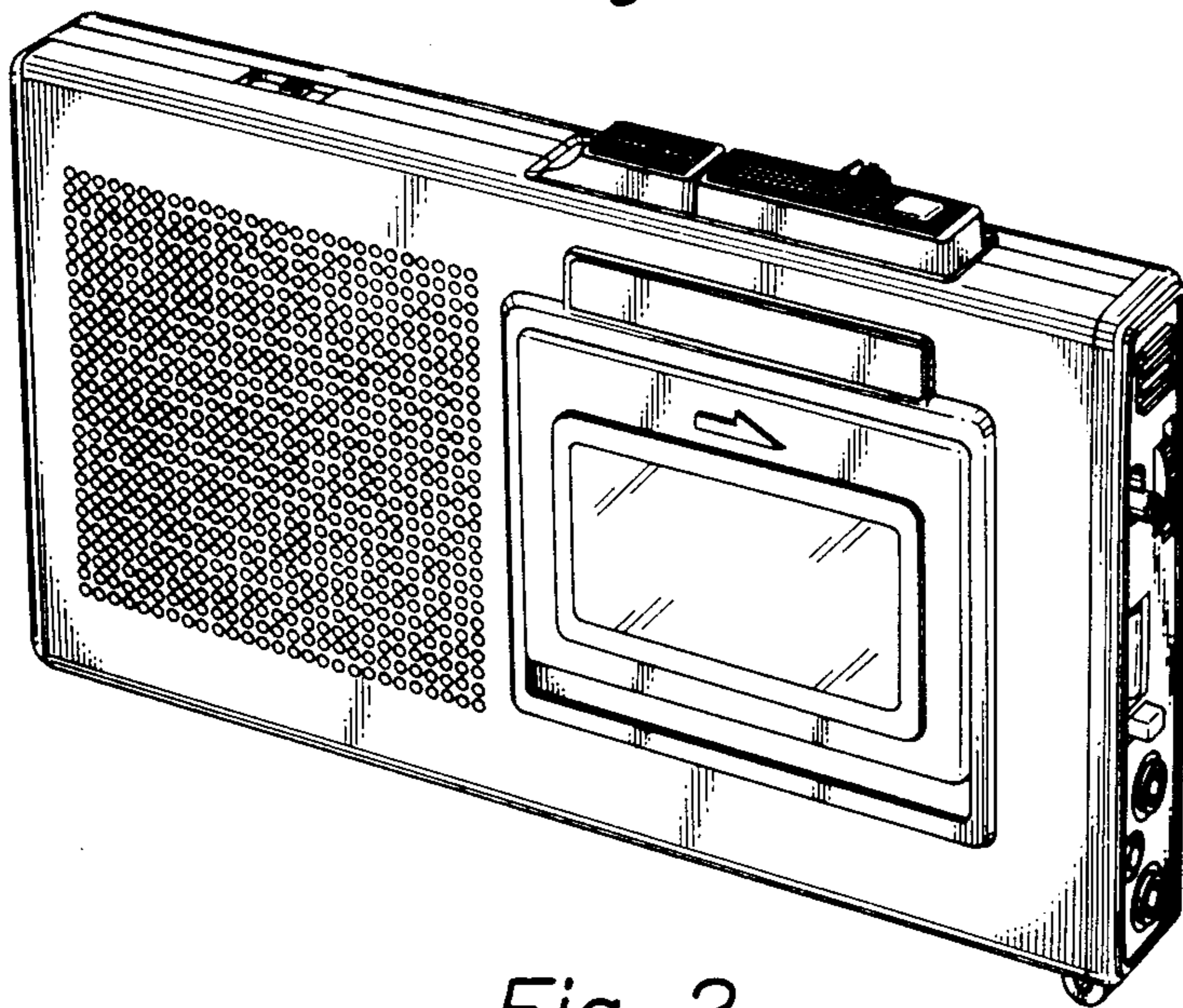


Fig. 2

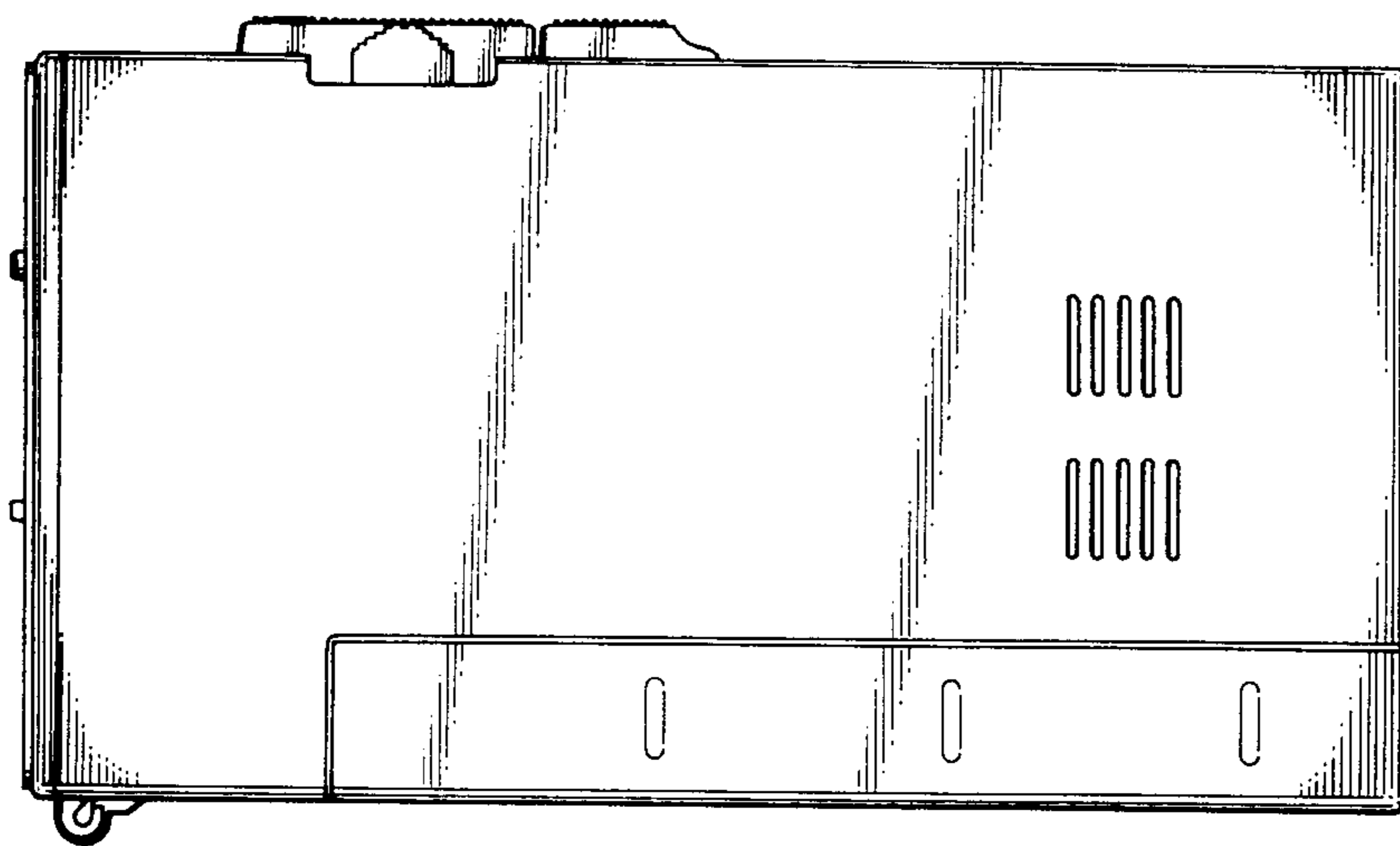


Fig. 3

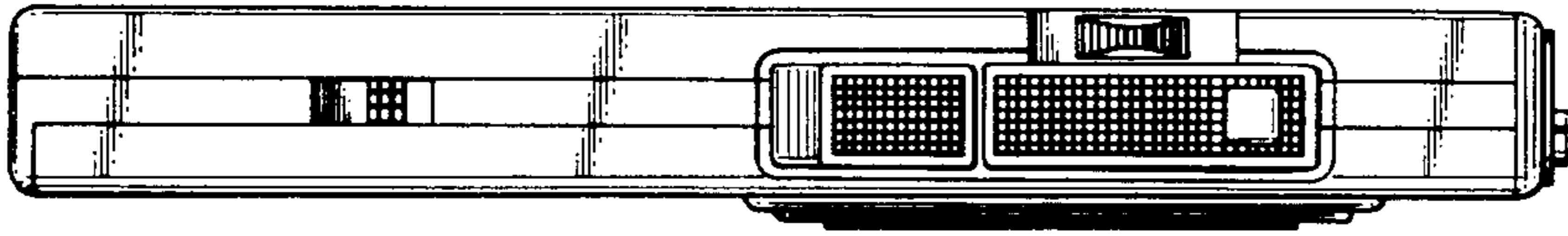


Fig. 4

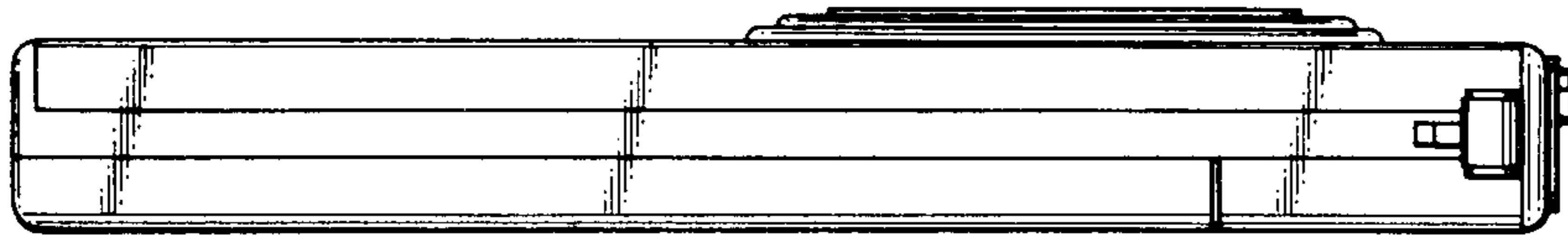


Fig. 5

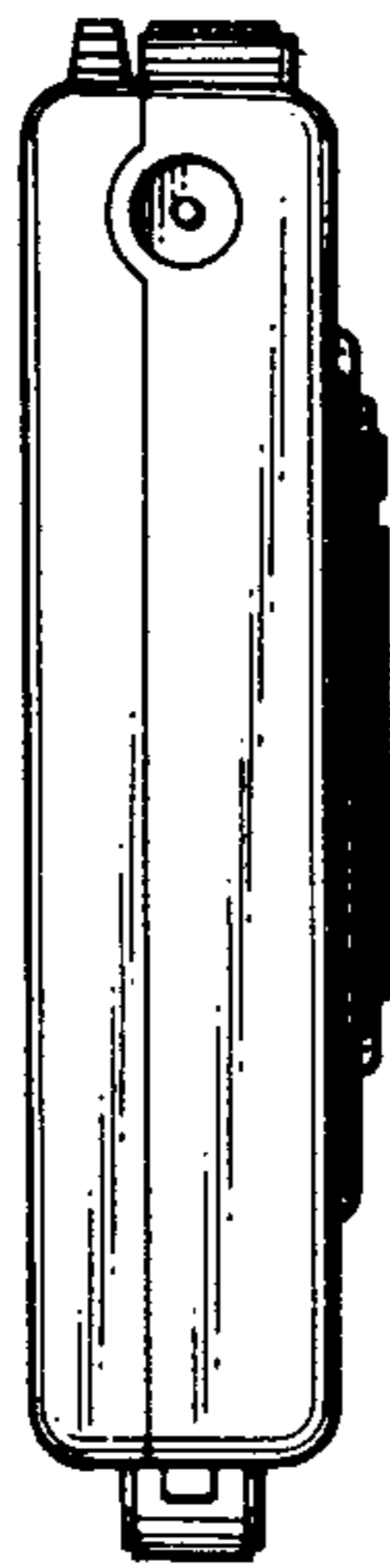


Fig. 6

