

[54] VEHICLE SIDE PANEL WITH STORAGE COMPARTMENTS

[76] Inventor: James D. Rice, 18 Tennessee La., Auburndale, Fla. 33823

[**] Term: 14 Years

[21] Appl. No.: 959,716

[22] Filed: Nov. 13, 1978

[51] Int. Cl. D12-16

[52] U.S. Cl. D12/156; D12/196

[58] Field of Search D12/157, 156, 196; 296/197, 37.6, 24 R; 224/273, 42.42 R

[56] References Cited

U.S. PATENT DOCUMENTS

3,799,605 3/1974 Silva 296/24 R

4,135,761 1/1979 Ward 296/37.6

Primary Examiner—James M. Gandy
Attorney, Agent, or Firm—William M. Hobby, III

[57] CLAIM

The ornamental design for a vehicle side panel with storage compartments, as shown and described.

DESCRIPTION

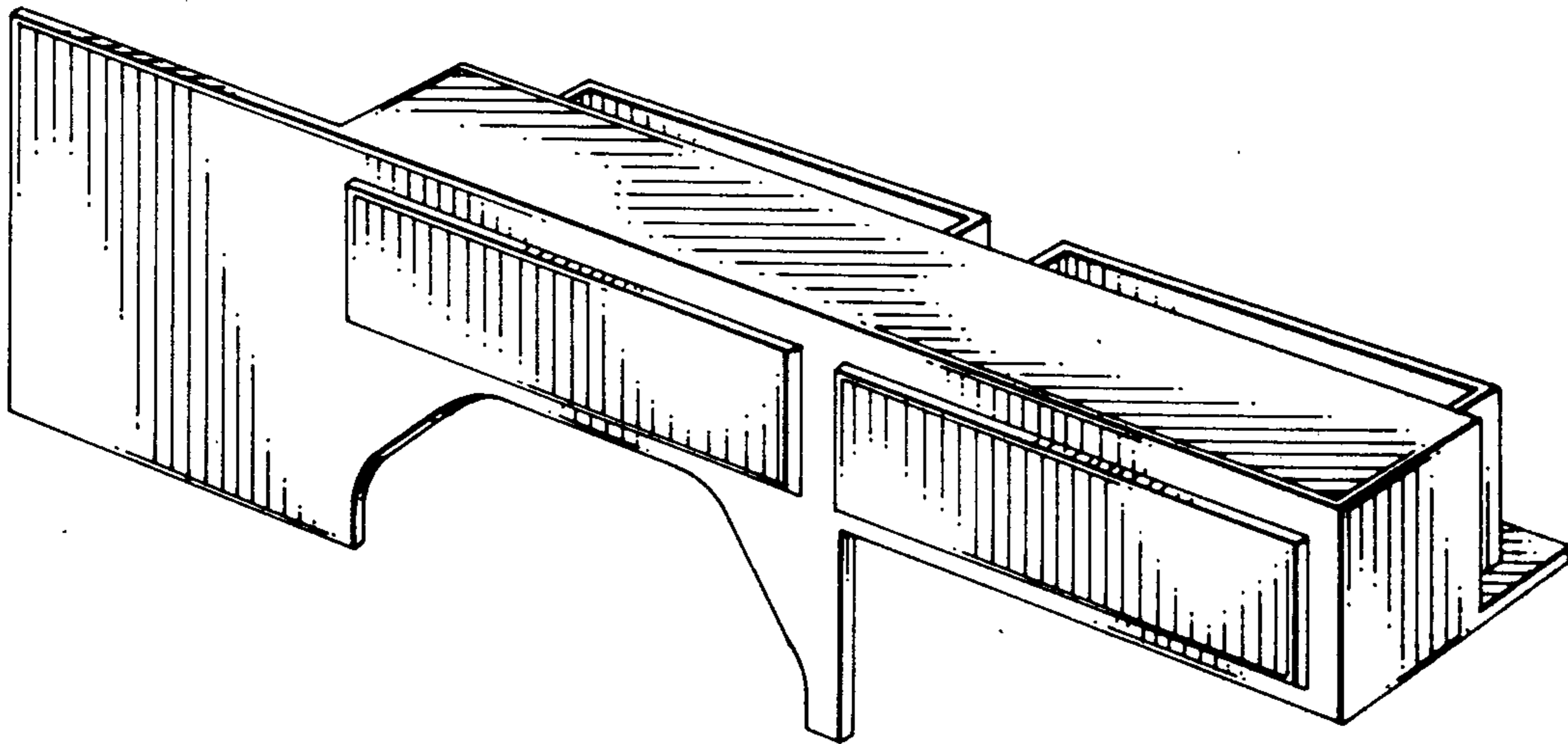
FIG. 1 is a front perspective view of a vehicle side panel with storage compartments in accordance with my design;

FIG. 2 is a rear perspective view;

FIG. 3 is a top plan view;

FIG. 4 is an end elevation view; and

FIG. 5 is an end elevational view opposite to that shown in FIG. 4 and with a portion of the end wall cut away showing the drawers in open condition.



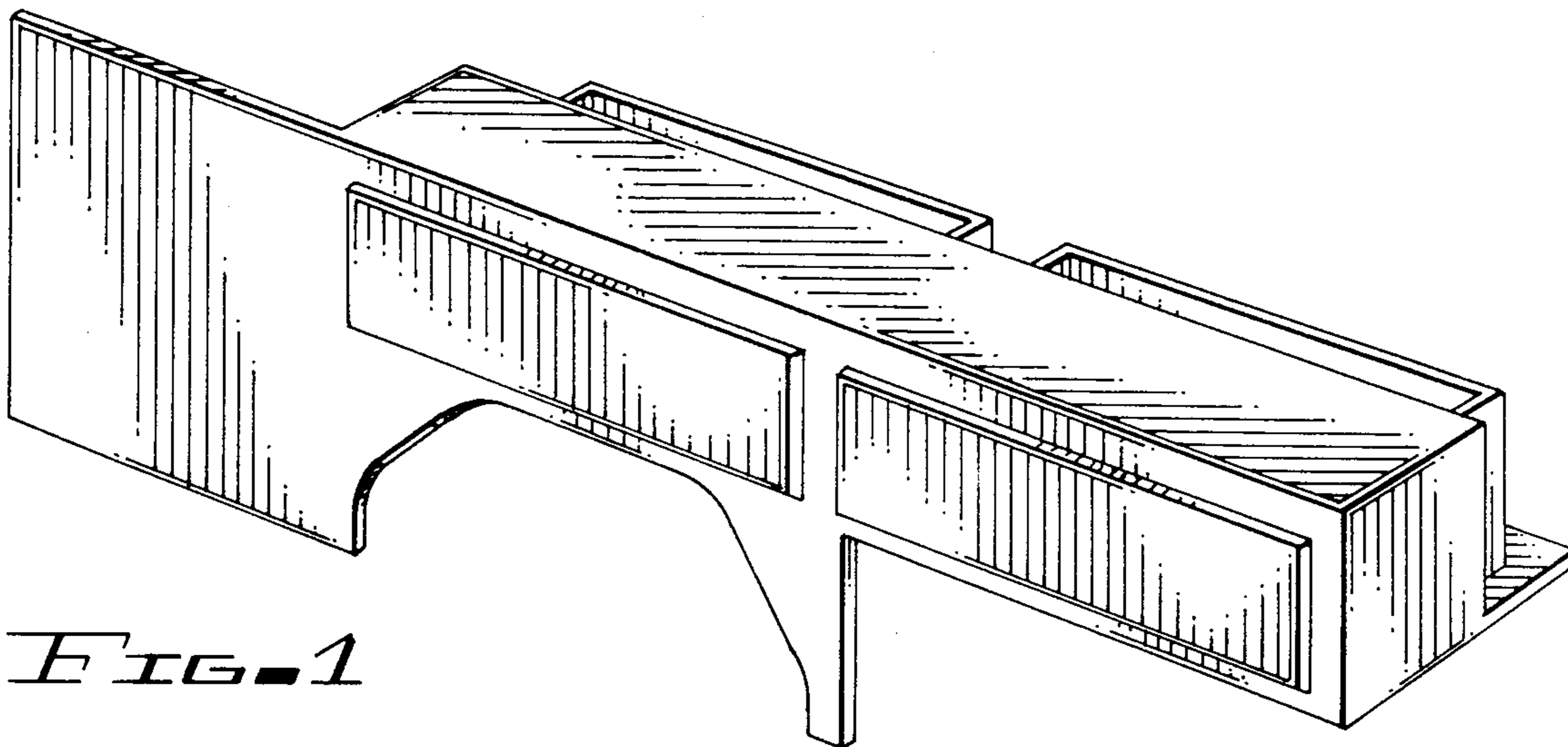


FIG. 1

FIG. 3

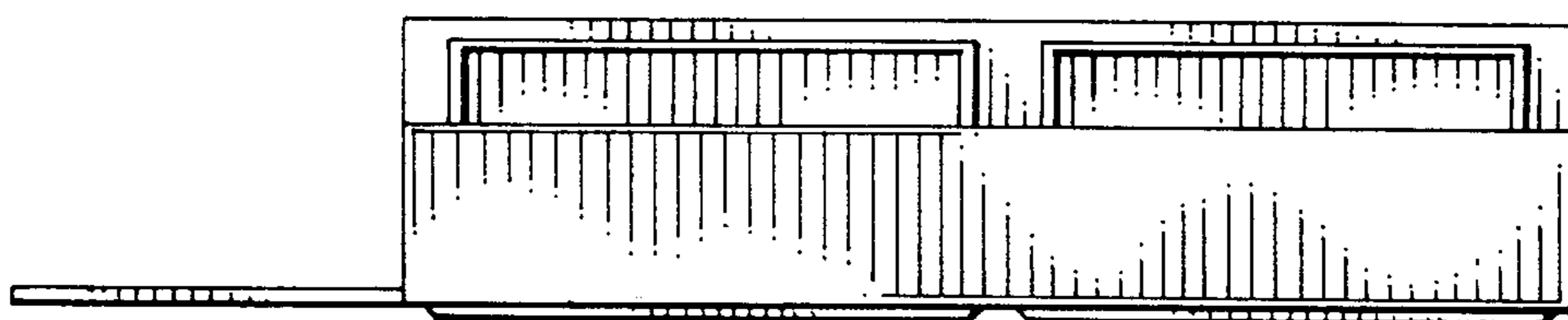


FIG. 4

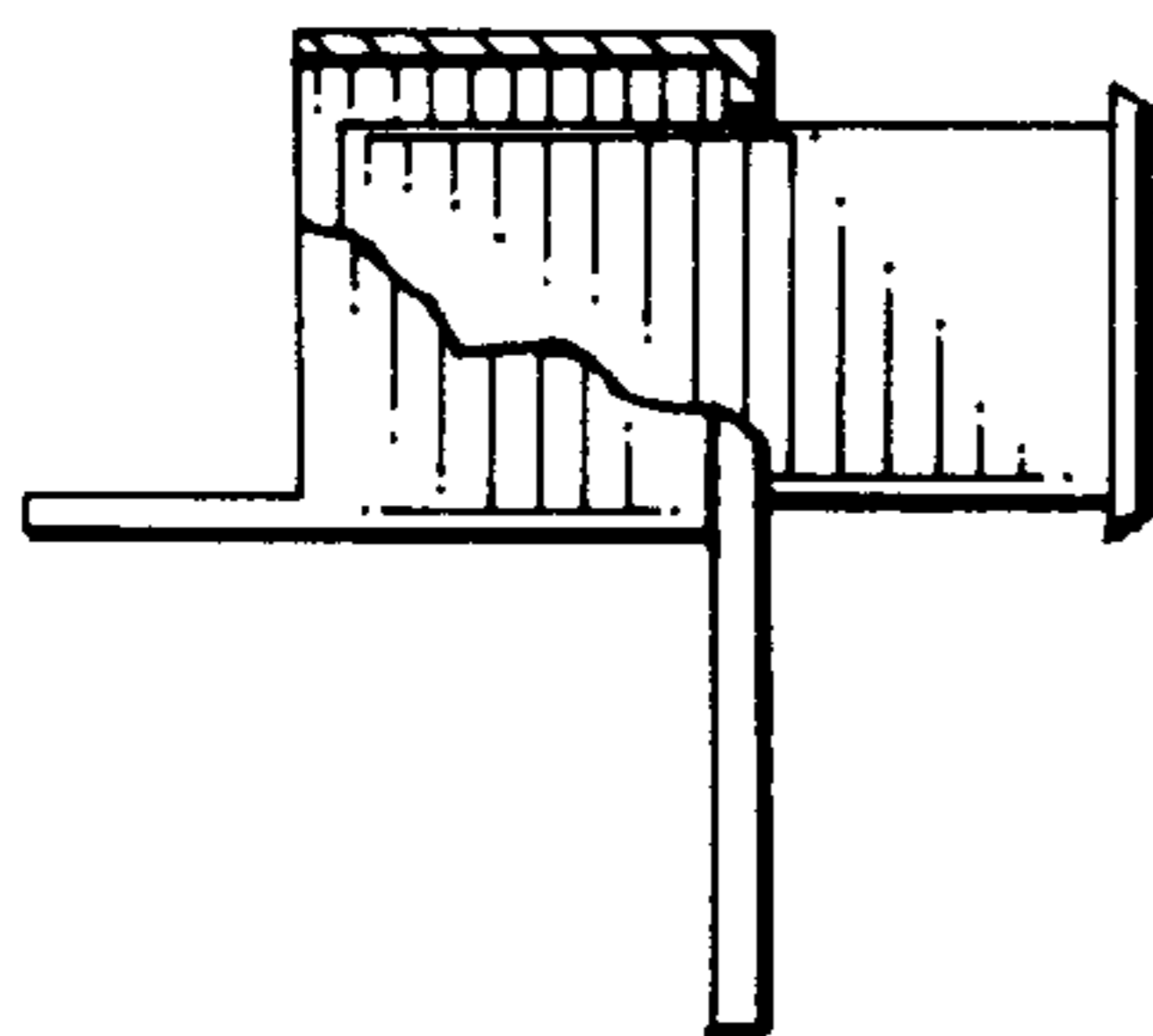
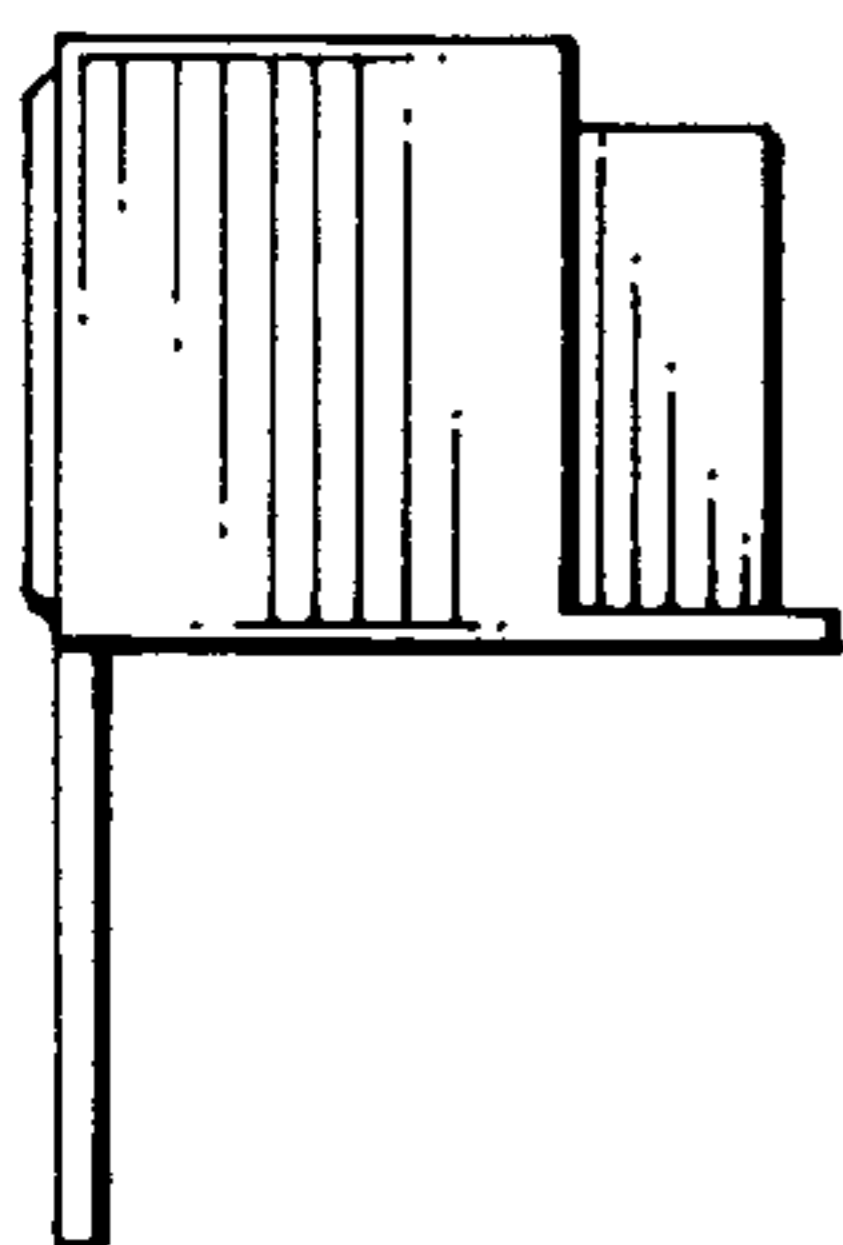


FIG. 5

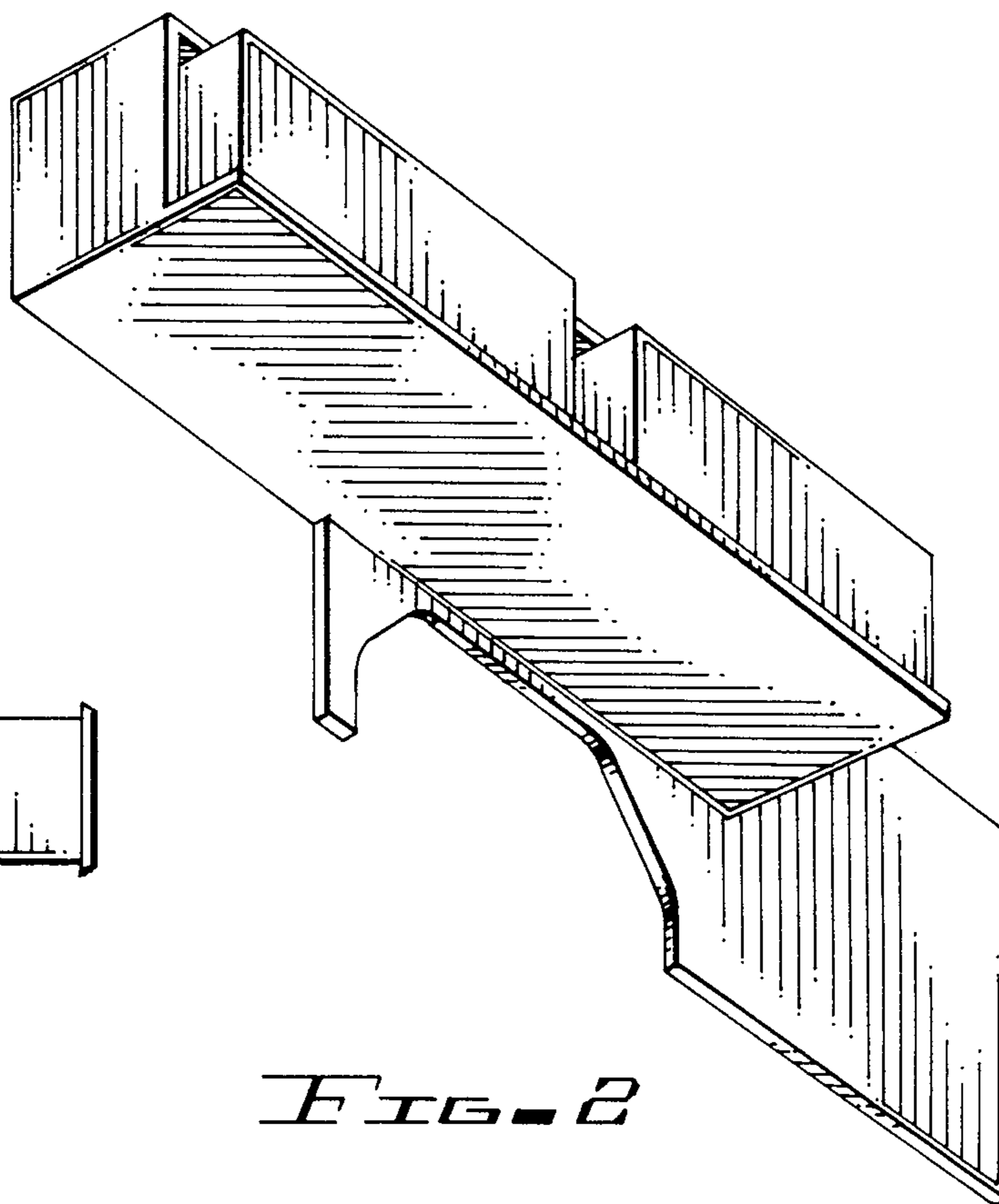


FIG. 2