

[54] CART

[76] Inventor: Stephen A. Bacskay, 247 Glenwild Ave., Bloomington, N.J. 07506

[**] Term: 14 Years

[21] Appl. No.: 960,123

[22] Filed: Nov. 13, 1978

[51] Int. Cl. D12-02

[52] U.S. Cl. D12/27

[58] Field of Search D12/27; 280/79.1 R, 280/79.2; 312/250

[56] References Cited

U.S. PATENT DOCUMENTS

D. 252,987 9/1979 Bacskay et al. D12/27

Primary Examiner—James M. Gandy

Attorney, Agent, or Firm—Cyrus D. Samuelson

[57] CLAIM

The ornamental design of a cart, substantially as shown and described.

DESCRIPTION

FIG. 1 is a front elevational view of a cart showing my new design;

FIG. 2 is a top plan view thereof;

FIG. 3 is a bottom plan view thereof;

FIG. 4 is a right side elevational view thereof;

FIG. 5 is a left side elevational view thereof;

FIG. 6 is a rear elevational view thereof;

FIG. 7 is a front elevational view thereof with the cover open;

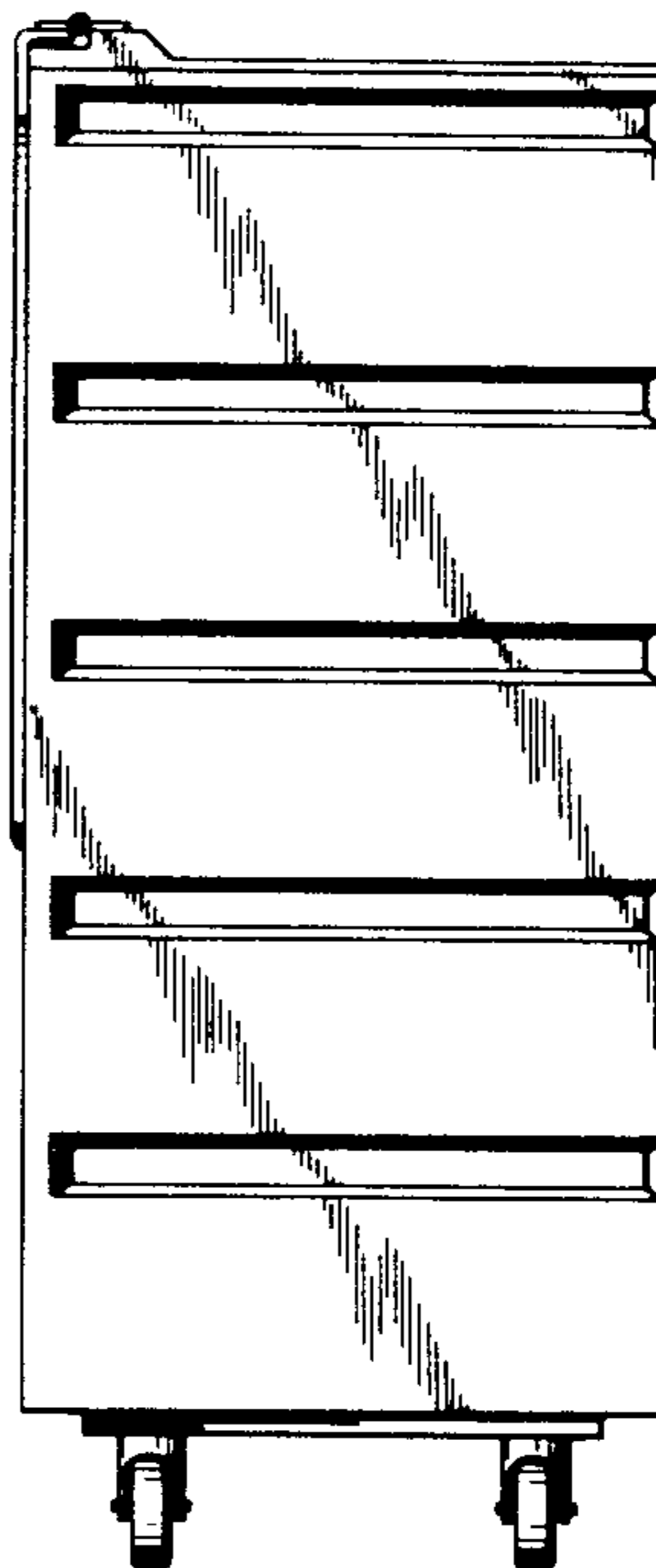
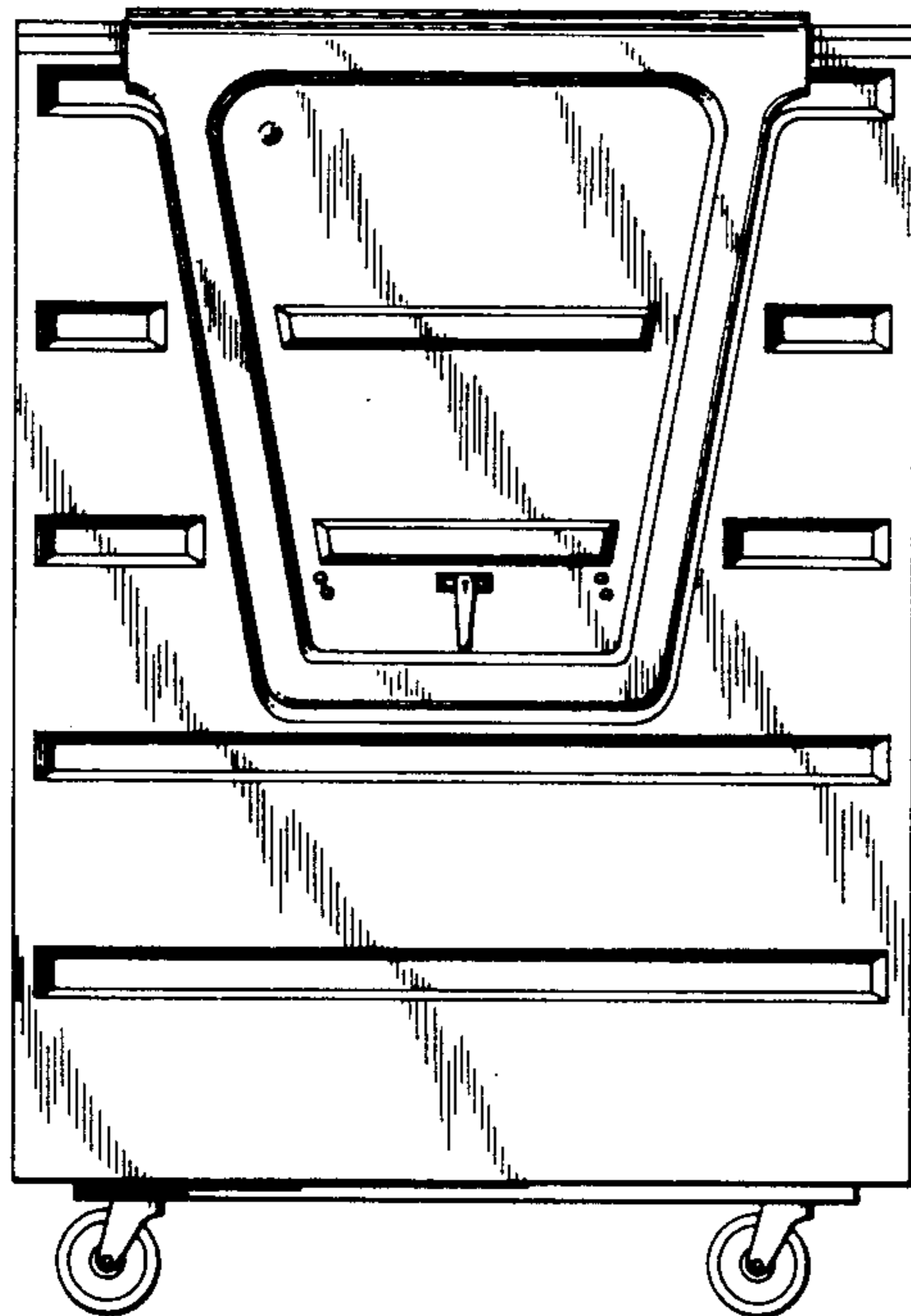
FIG. 8 is a top plan view of FIG. 7;

FIG. 9 is a bottom plan view of FIG. 7;

FIG. 10 is a right side elevational view of FIG. 7;

FIG. 11 is a left side elevational view of FIG. 7; and

FIG. 12 is a rear elevational view of FIG. 7.



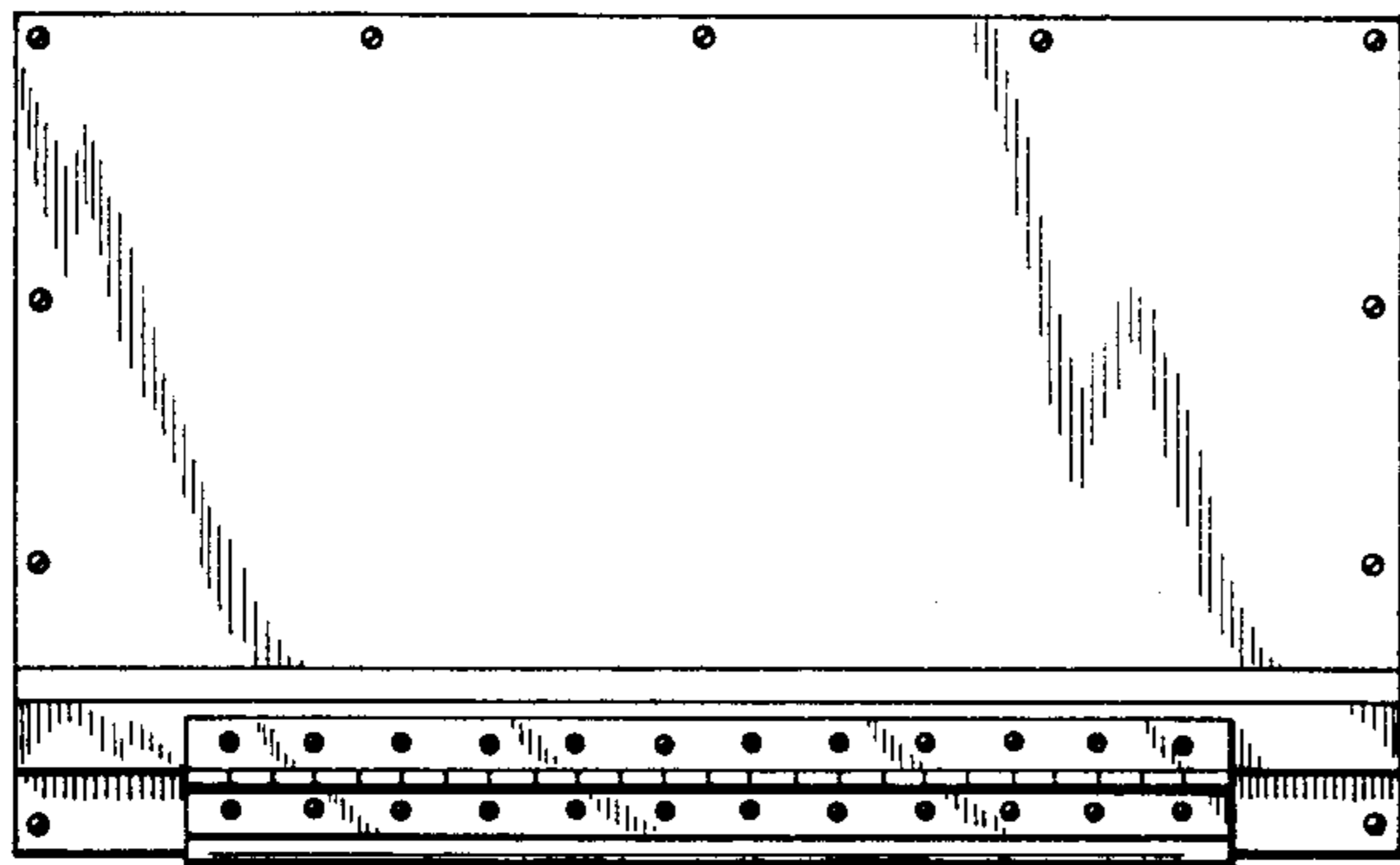


FIG. 2

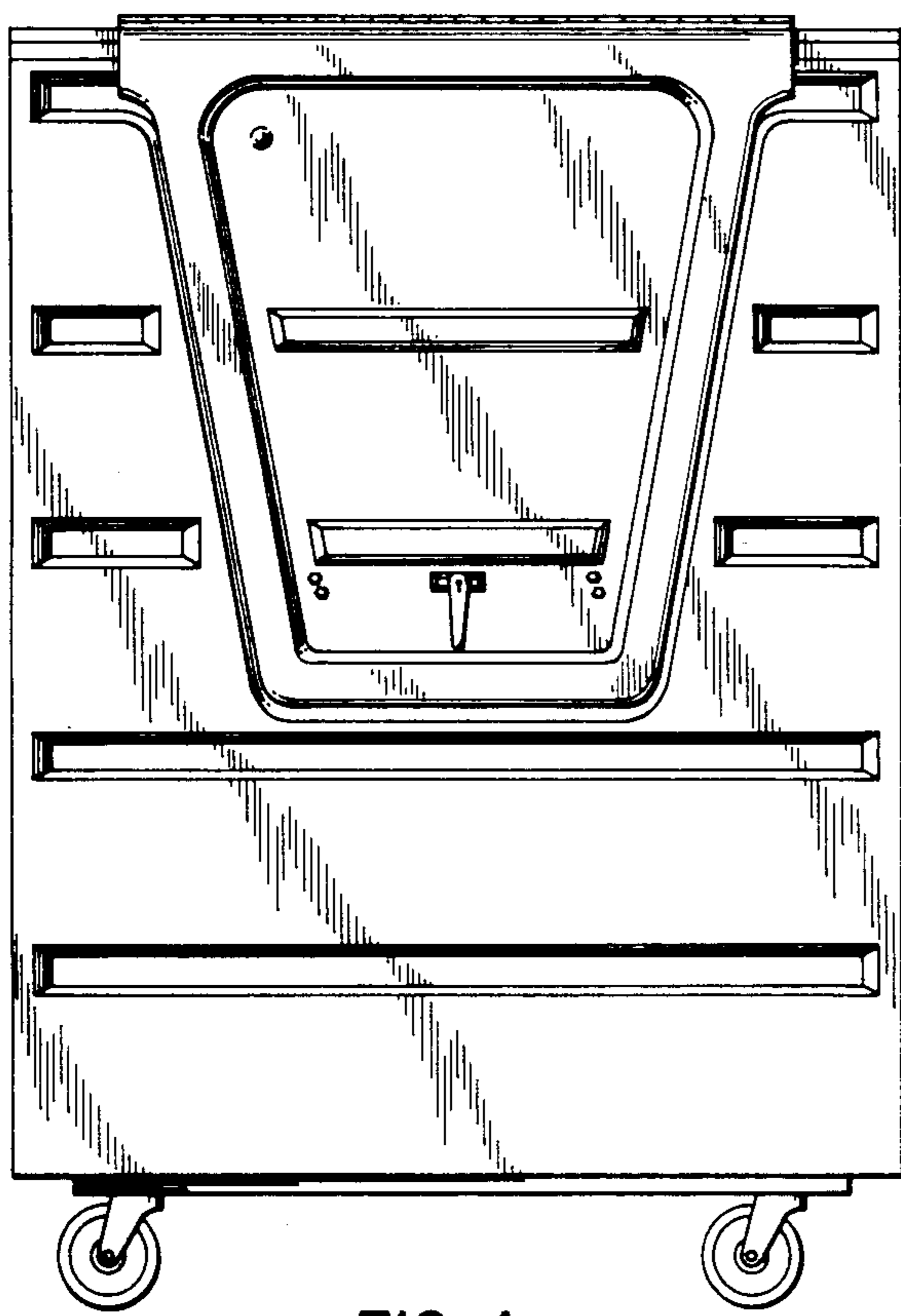


FIG. 1

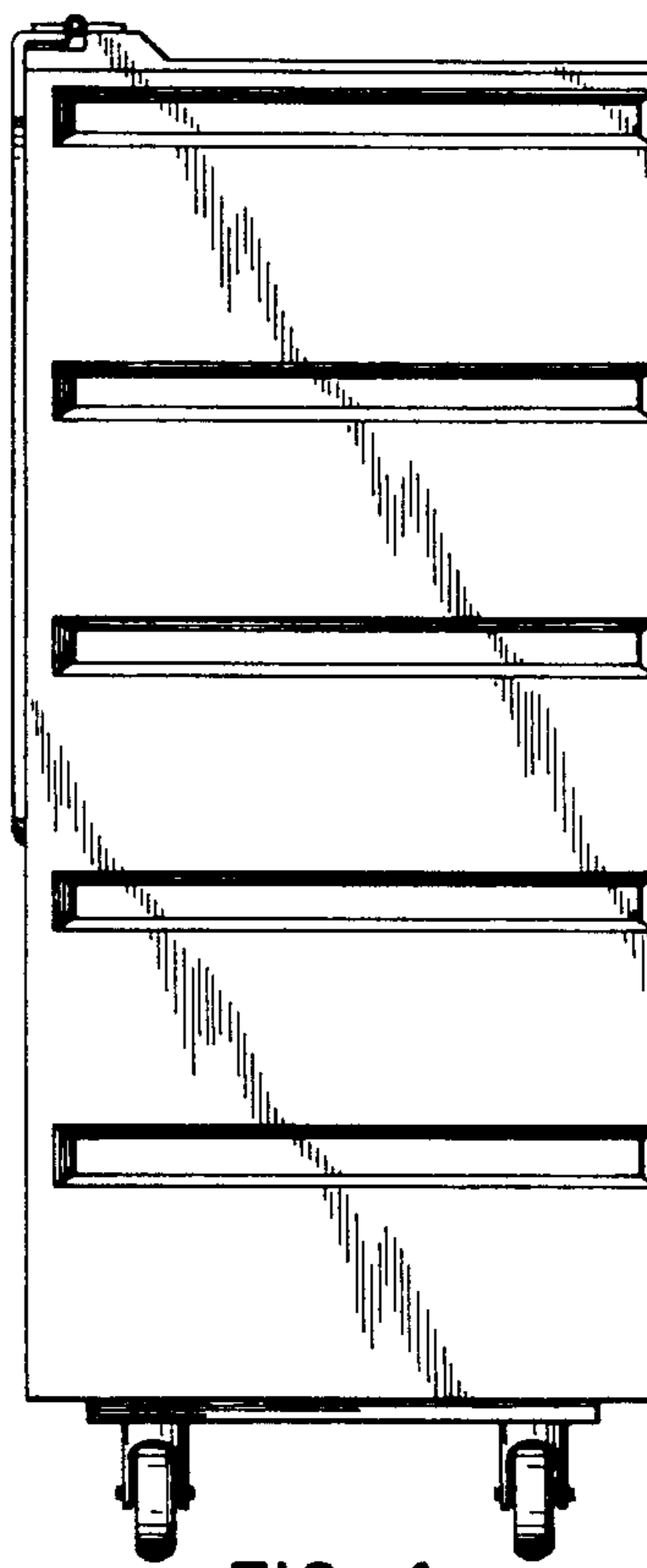


FIG. 4

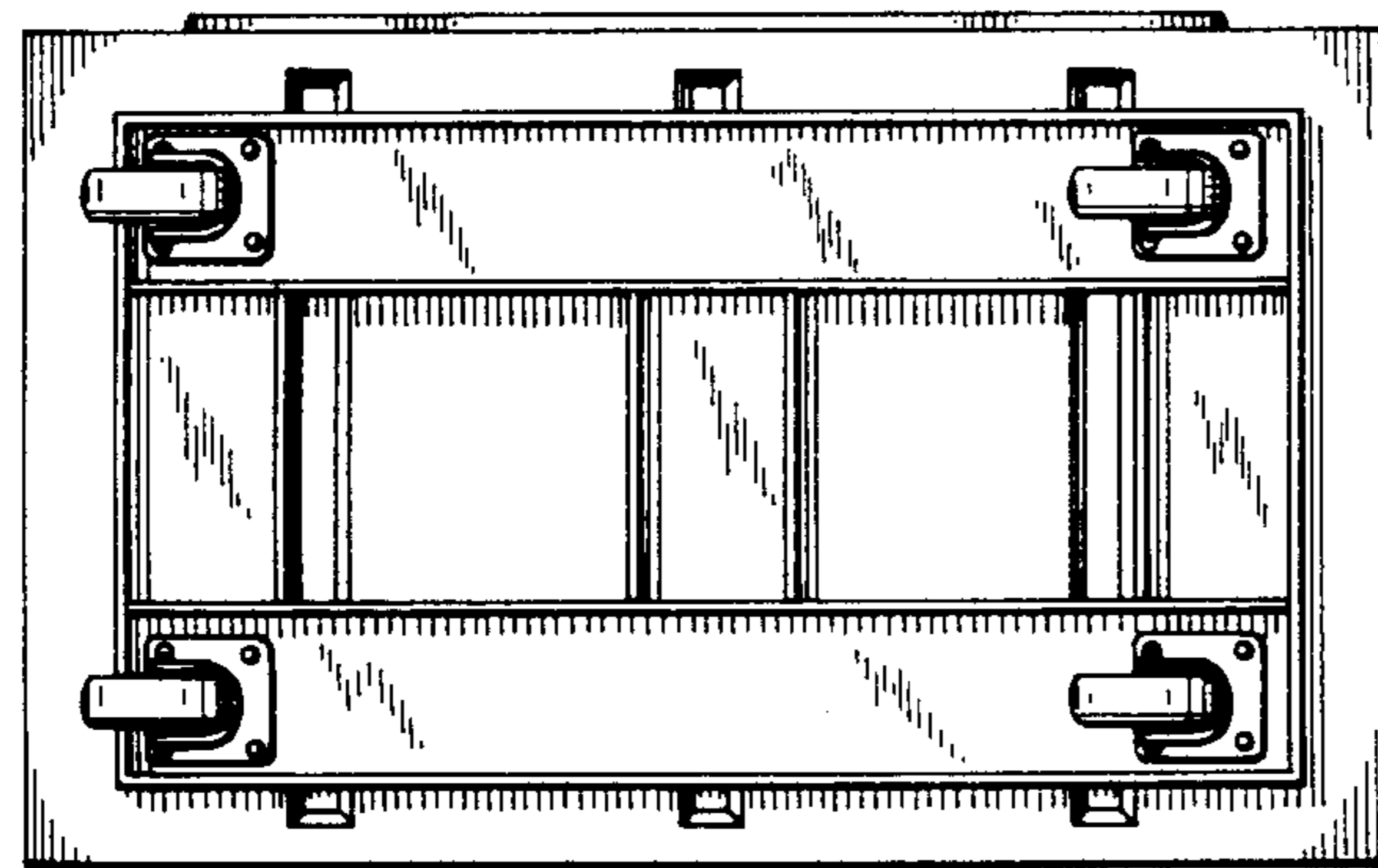


FIG. 3

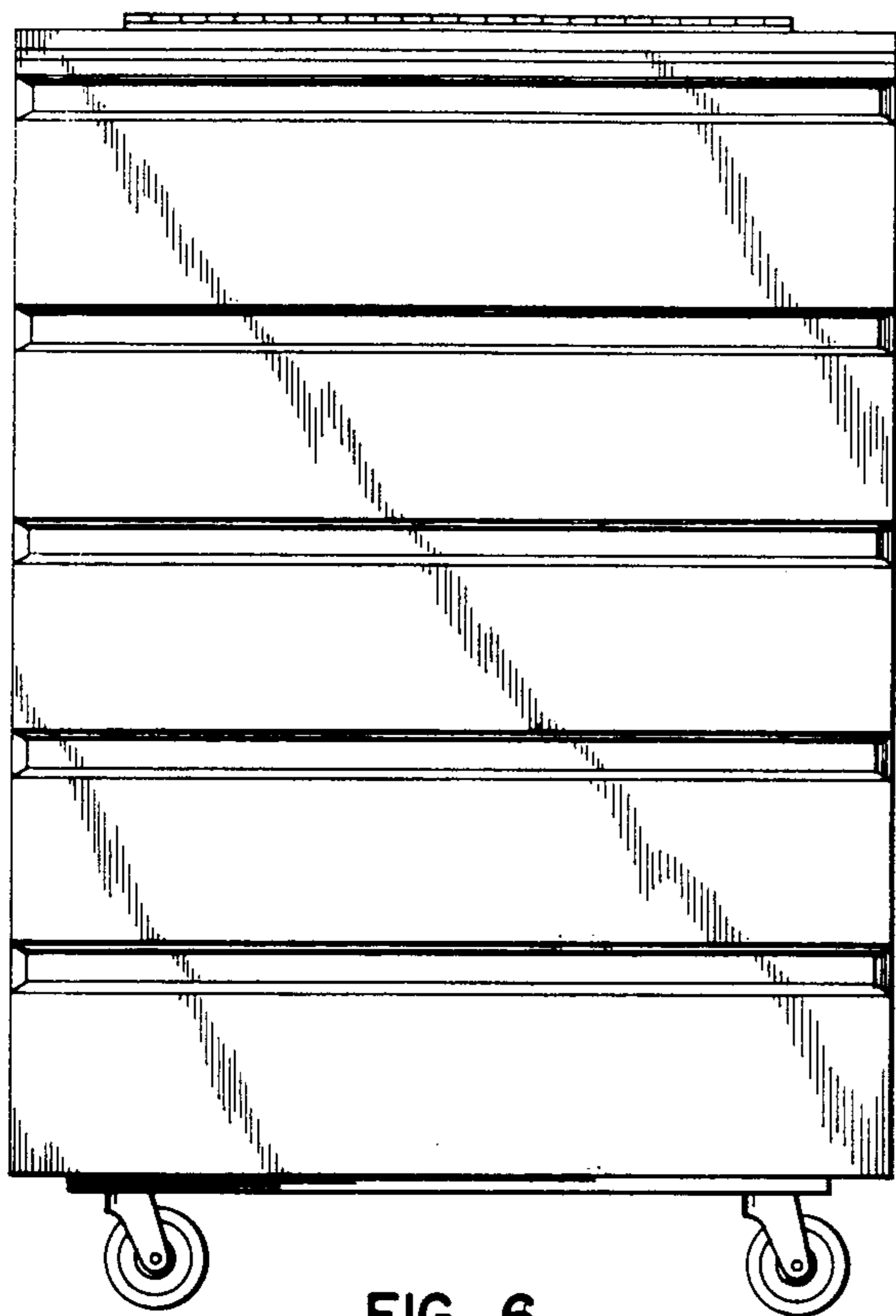


FIG. 6

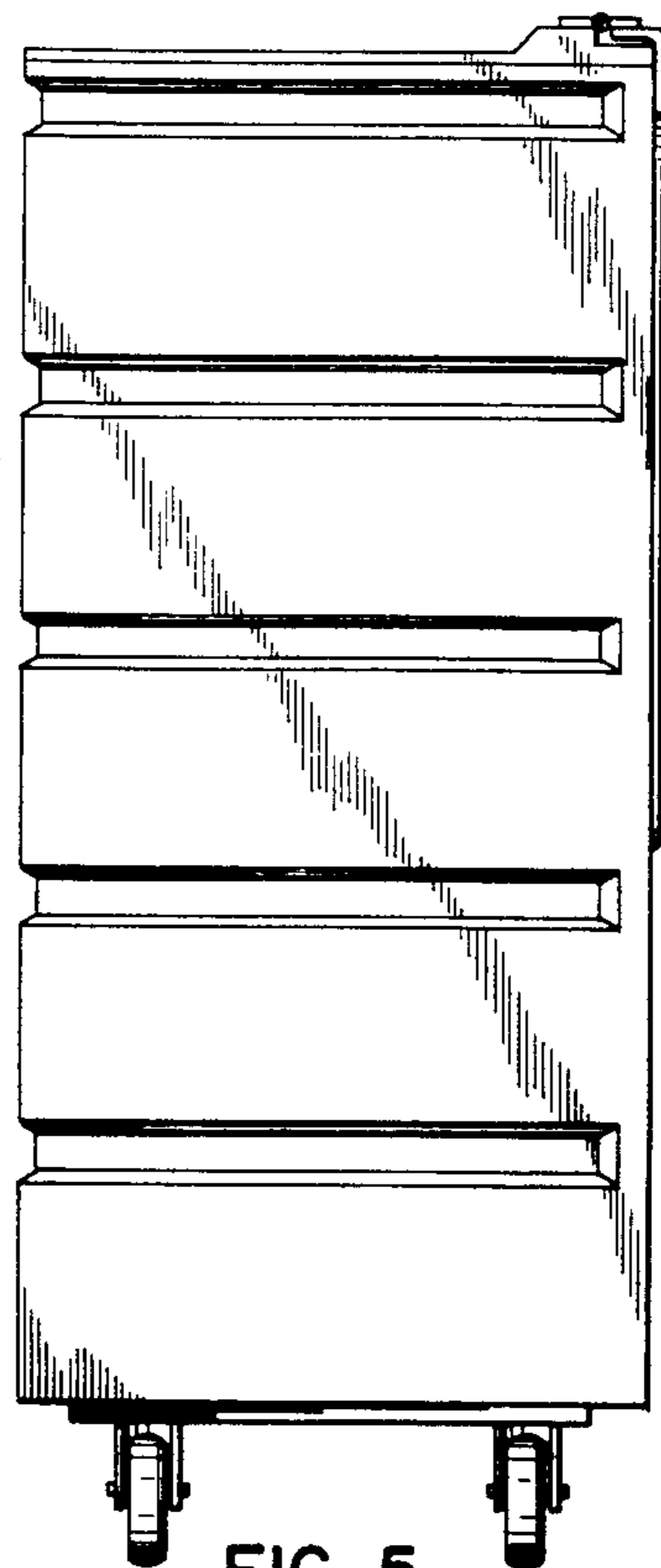


FIG. 5

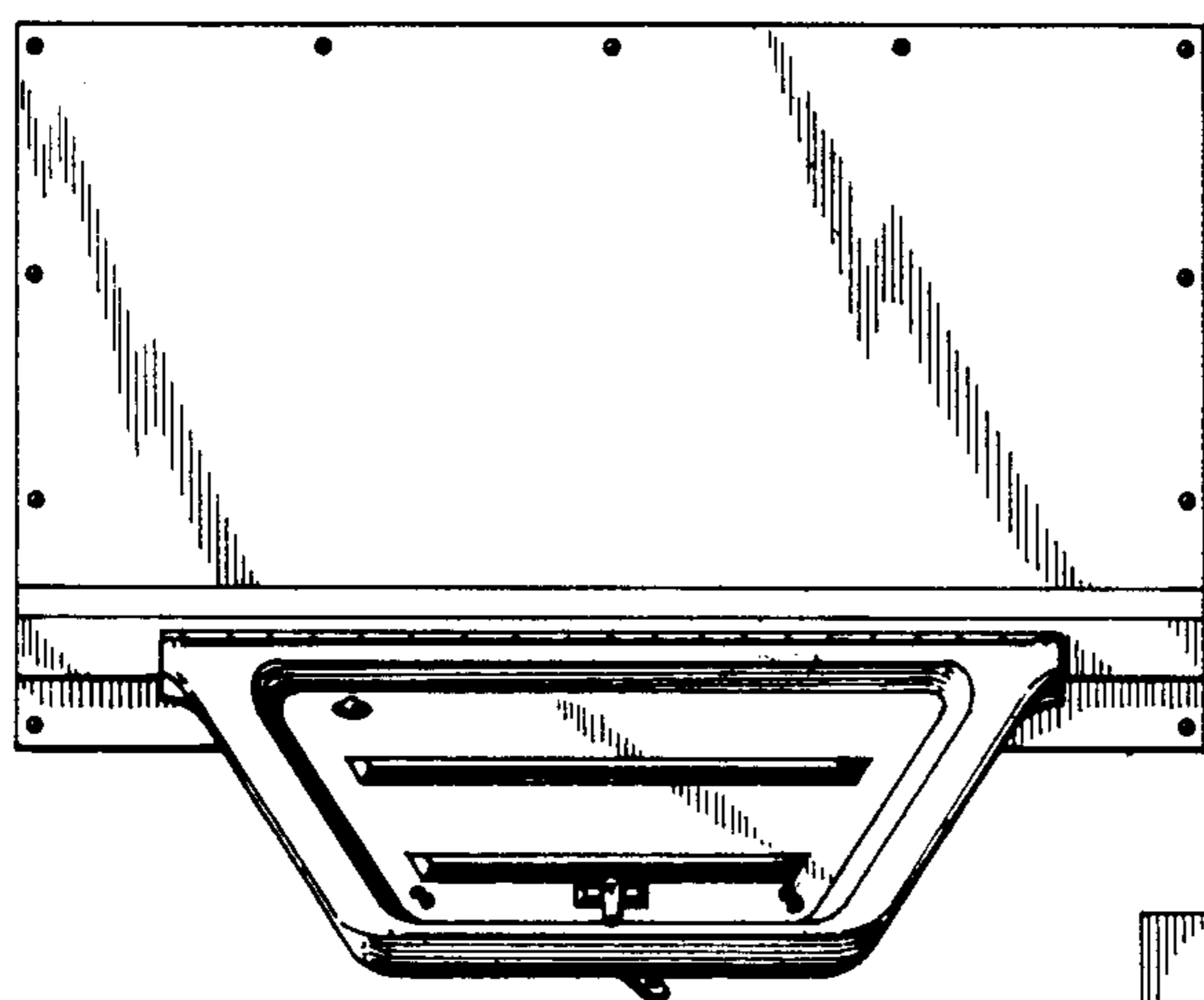


FIG. 8

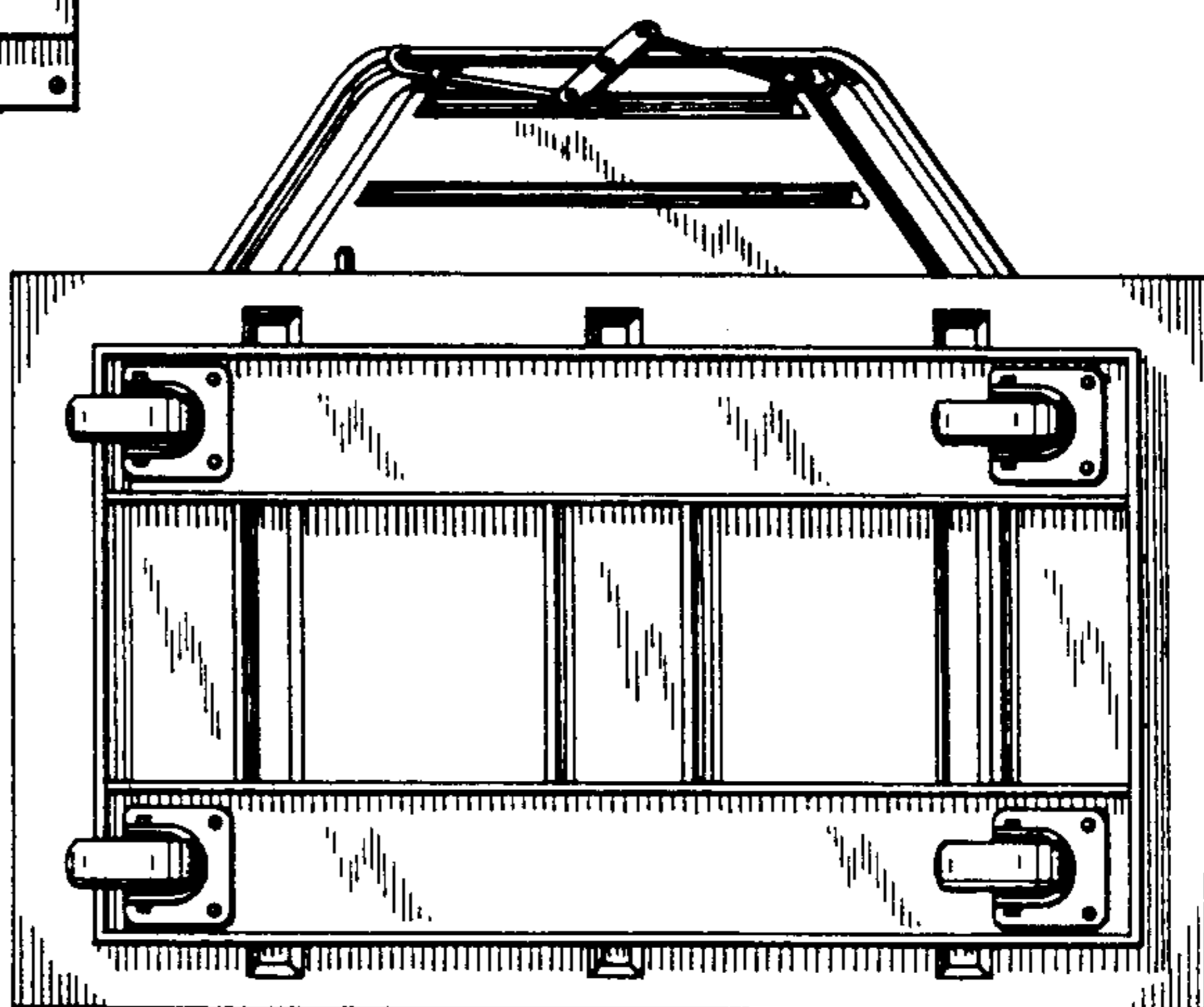


FIG. 9

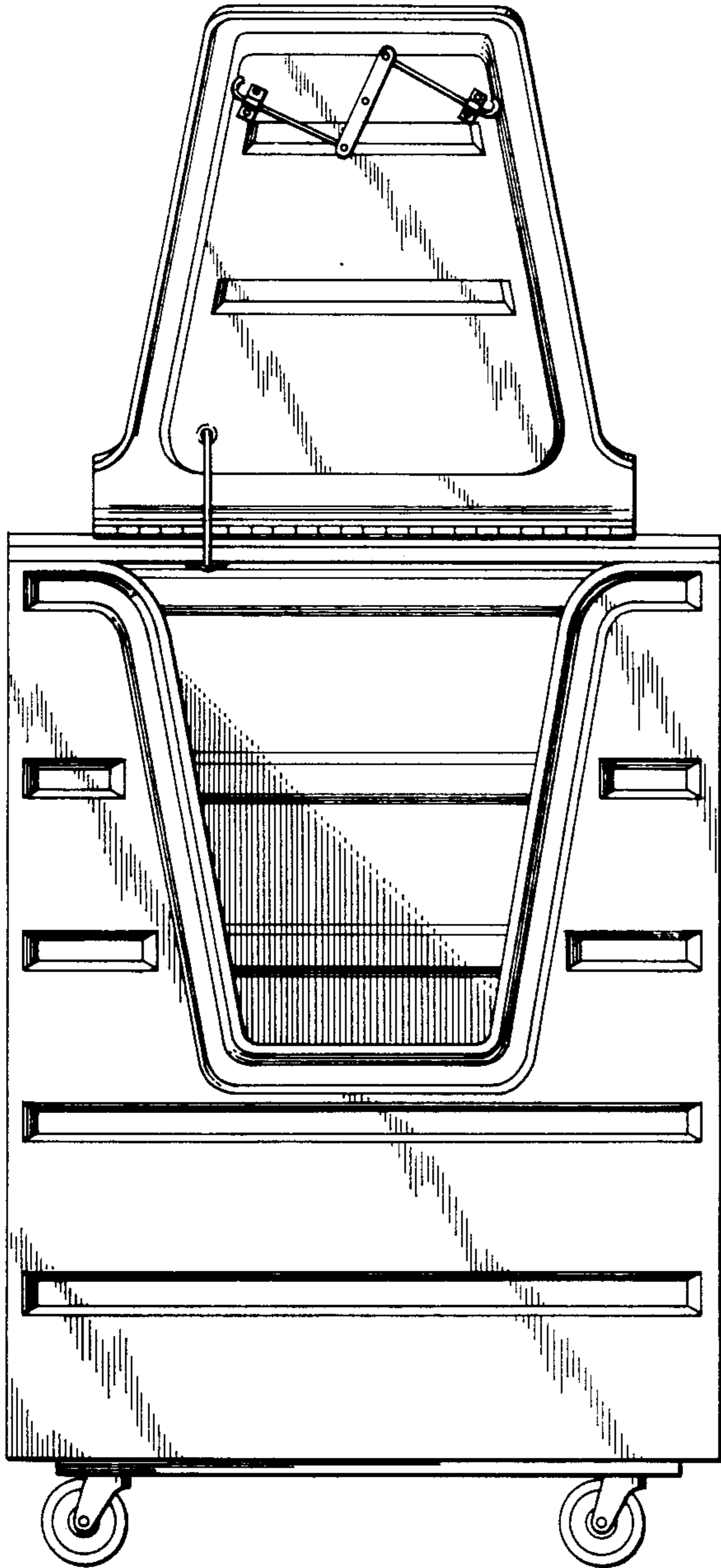


FIG. 7

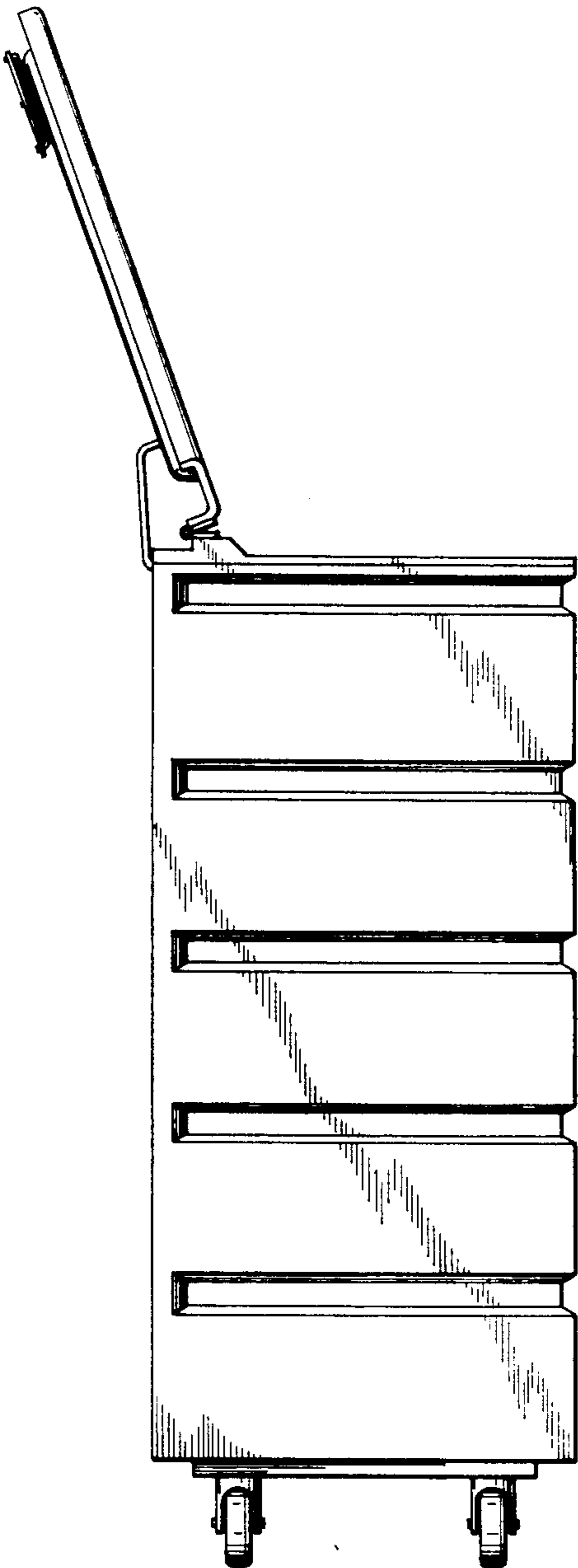


FIG. 10

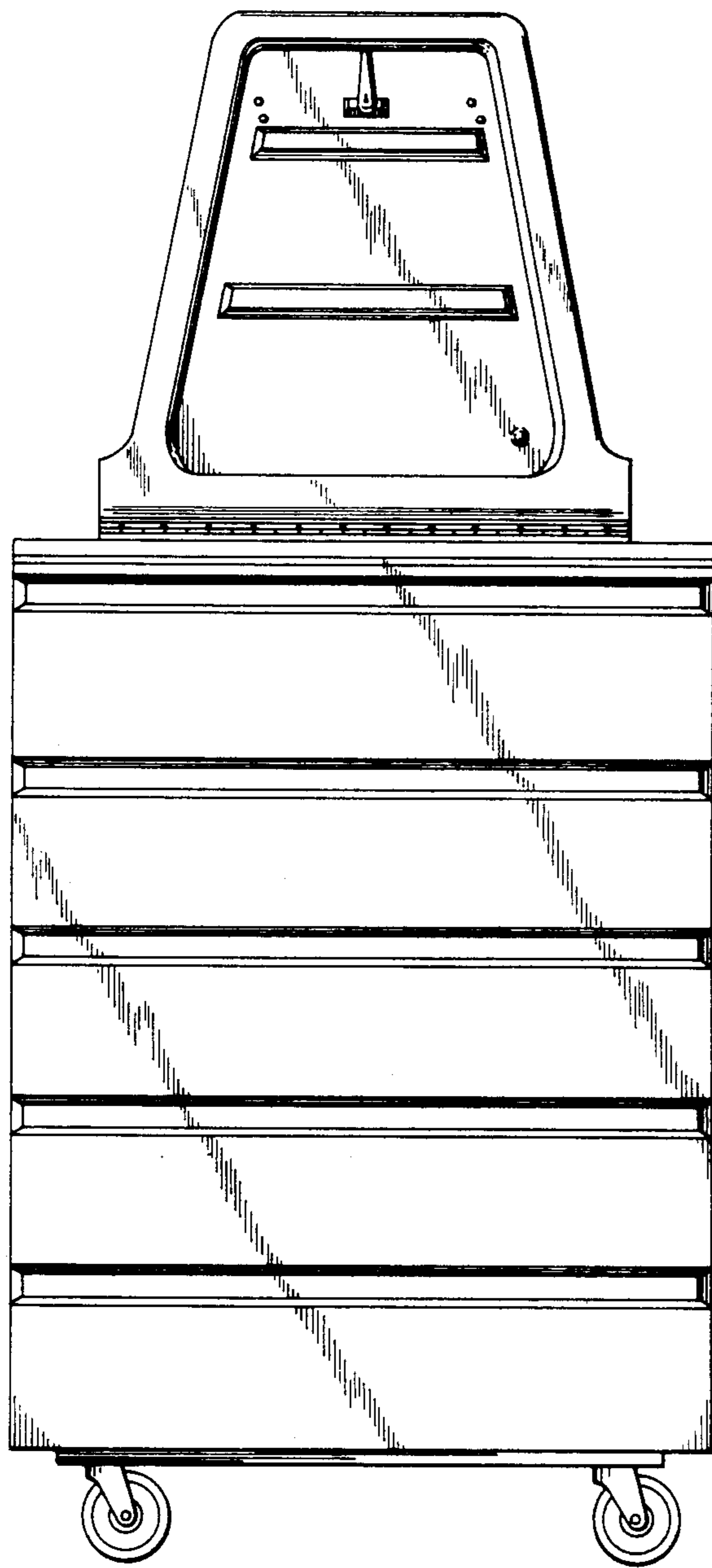


FIG. 12

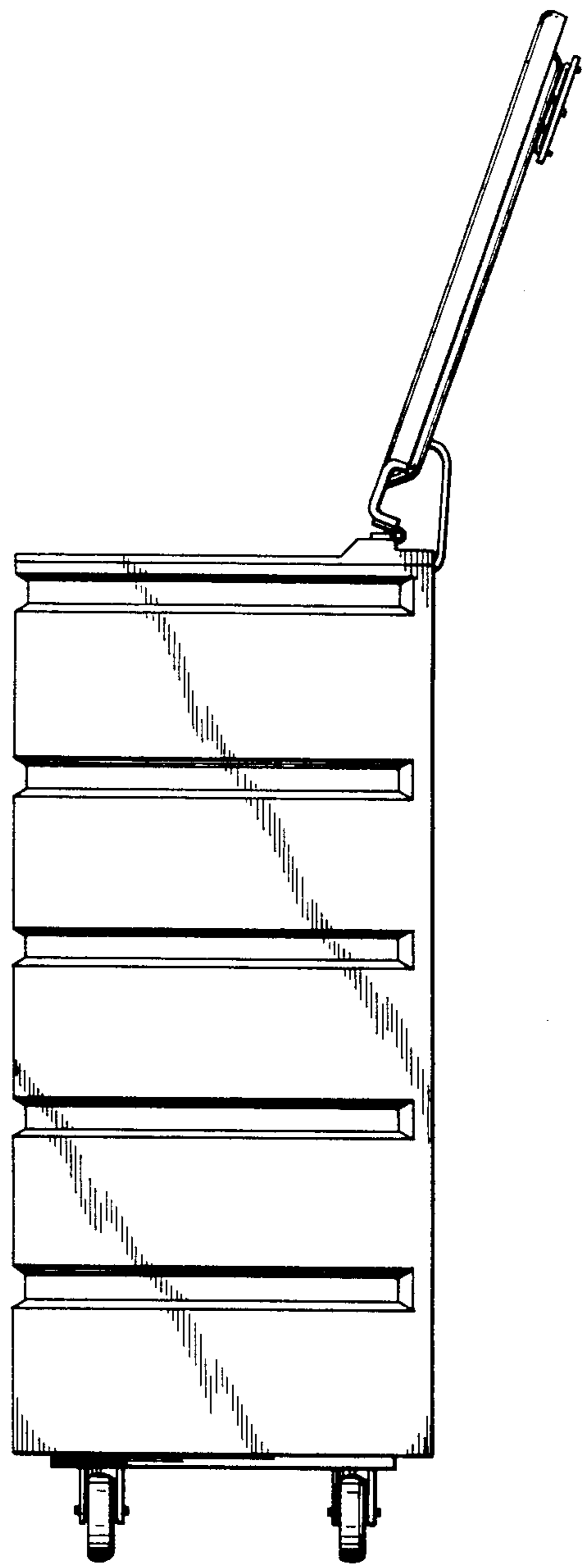


FIG. 11