

[54] TRANSMISSION SHIM SELECTOR

[75] Inventor: Joel S. Johnson, Troy, Mich.

[73] Assignee: Kent-Moore Corporation, Warren, Mich.

[**] Term: 14 Years

[21] Appl. No.: 838

[22] Filed: Jan. 4, 1979

[51] Int. Cl. D10-04

[52] U.S. Cl. D10/64; D10/70

[58] Field of Search D10/46, 61, 64, 70, D10/71, 74; D8/51; 33/180 R, 180 AT, 181 AT

[56]

References Cited

U.S. PATENT DOCUMENTS

D. 238,395	1/1976	Miranda	D10/71
D. 241,503	9/1976	Parker	D8/51
D. 248,018	5/1978	Kubo	D10/61 X
3,928,918	12/1975	Morisaki	33/169 R X
3,986,383	10/1976	Petteys	D8/51

Primary Examiner—Nelson C. Holtje
Attorney, Agent, or Firm—Ralph M. Burton

[57]

CLAIM

The ornamental design for a transmission shim selector, as shown.

DESCRIPTION

FIG. 1 is a bottom and side perspective view of a transmission shim selector showing my new design;
FIG. 2 is a typical side view thereof;
FIG. 3 is a left side elevational view of FIG. 2;
FIG. 4 is a right side elevational view of FIG. 2.

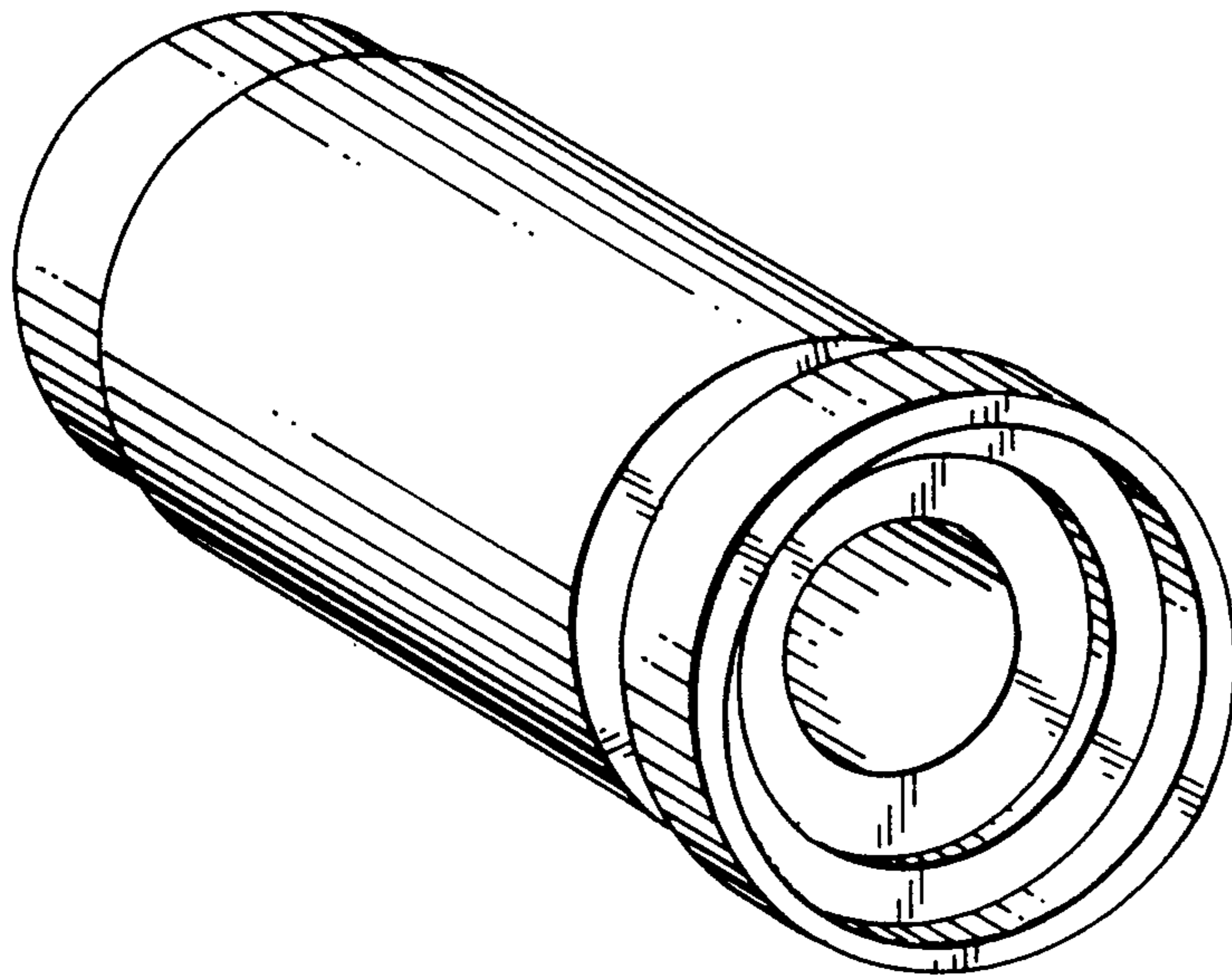


FIG. 1

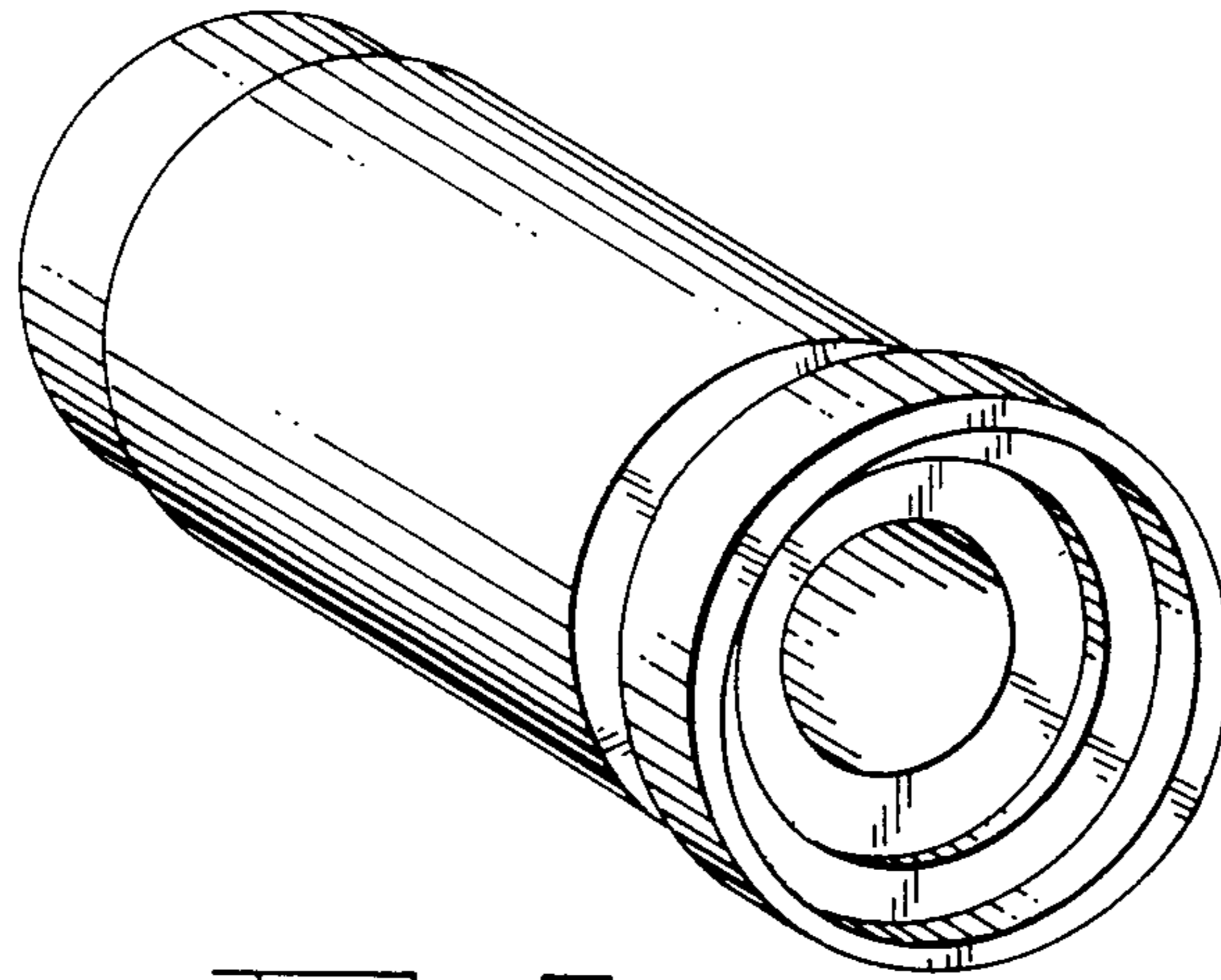


FIG. 2

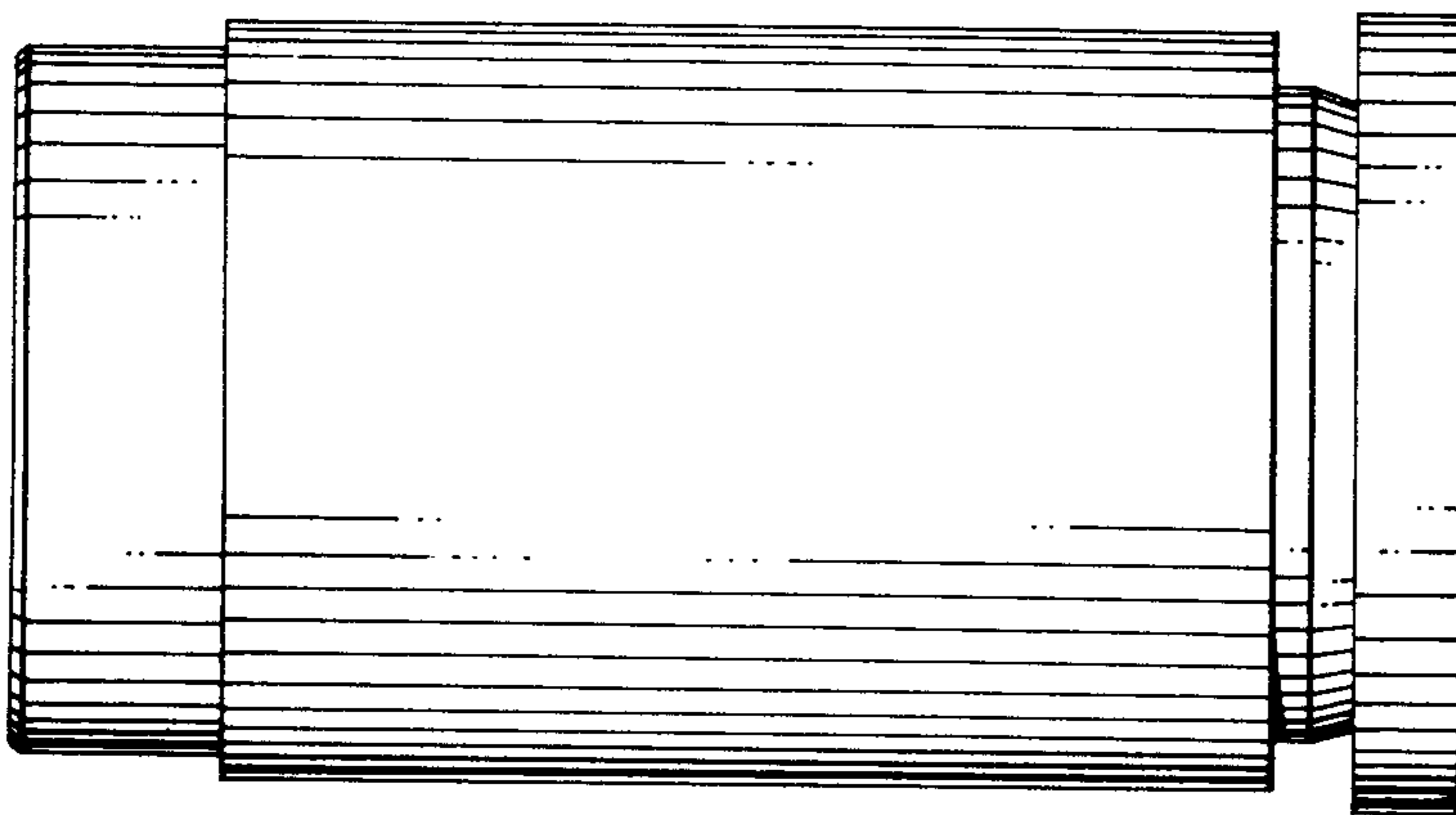


FIG. 3

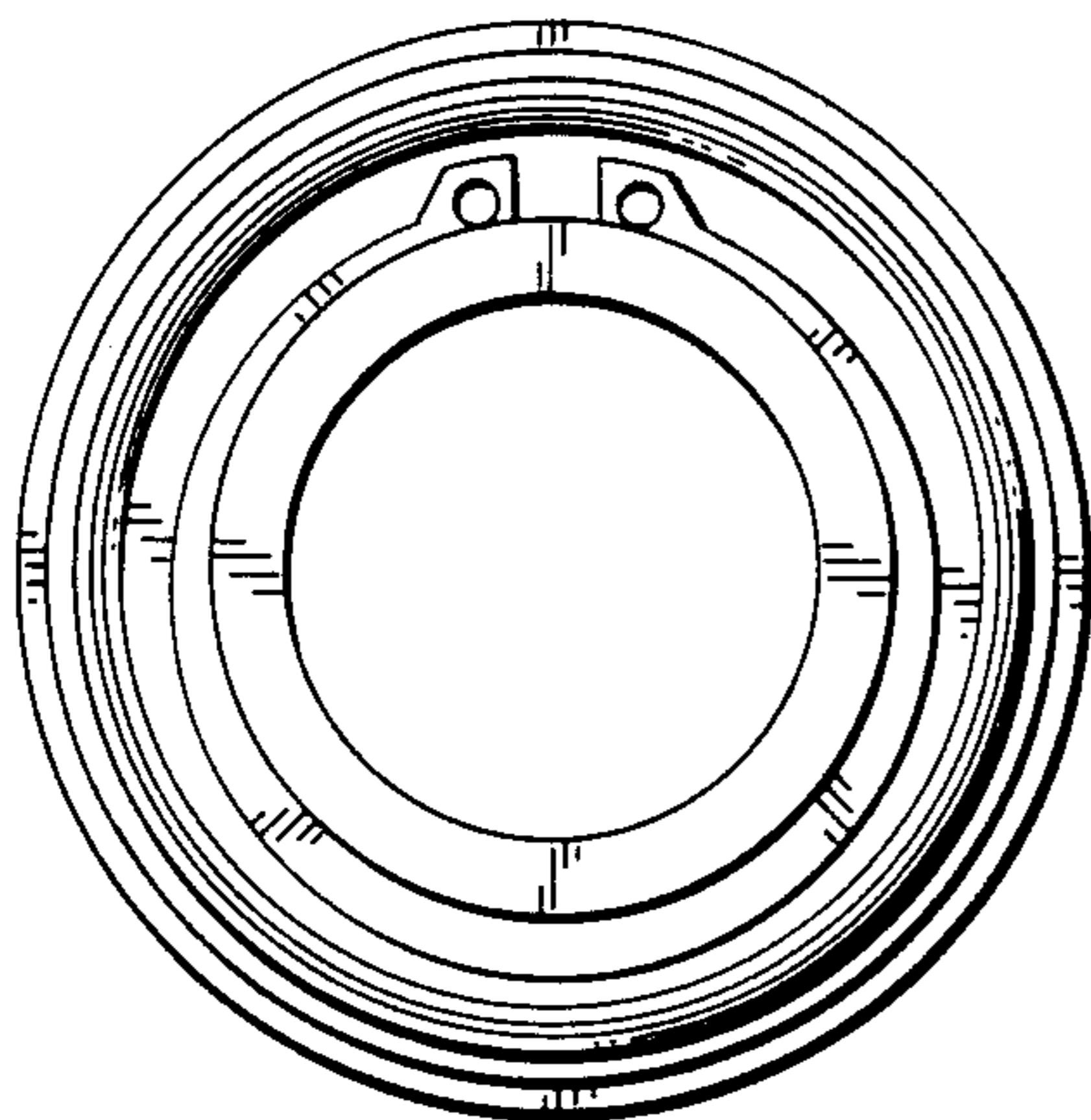


FIG. 4

