

[54] DOWNSPOUT BRACKET

[75] Inventor: James D. Klingensmith, Apollo, Pa.

[73] Assignee: Aluminum Company of America

[**] Term: 14 Years

[21] Appl. No.: 12,372

[22] Filed: Feb. 15, 1979

[51] Int. Cl. D8-08; D6-04

[52] U.S. Cl. D8/373; D8/354;
D6/88; D6/125

[58] Field of Search D8/349, 354, 356, 358,
D8/360, 366, 371, 373, 382-384, 387-389,
394-396; D6/88, 125; 248/65, 67.5, 68 R, 68
CB, 72, 74 R, 74 A, 300, 110; 24/255 R

[56]

References Cited

U.S. PATENT DOCUMENTS

1,256,426	2/1918	Baltzley	24/255 R
2,441,051	5/1948	Wilhelm	248/110
3,332,650	7/1967	Judge	248/74 R

OTHER PUBLICATIONS

Grammes Metal Products Cat. 66, ©1941, p. 33, Corrugated Box Staple No. 10239.

Primary Examiner—Barbara J. Bullock
Attorney, Agent, or Firm—Patrick J. Viccaro

[57]

CLAIM

The ornamental design for a downspout bracket, substantially as shown and described.

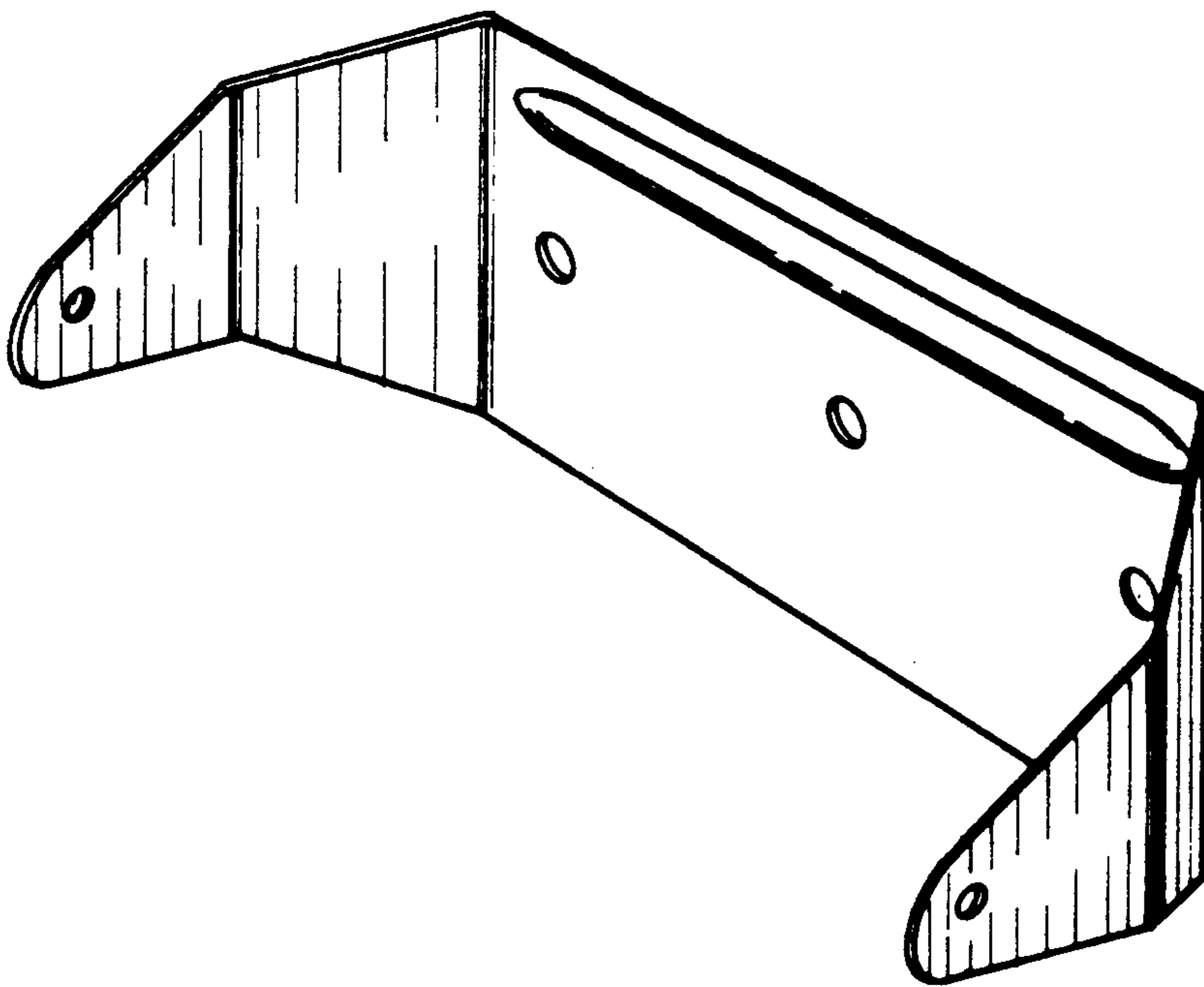
DESCRIPTION

FIG. 1 is a perspective view of a downspout bracket showing my new design.

FIG. 2 is a top view.

FIG. 3 is a front view.

FIG. 4 is an end view.



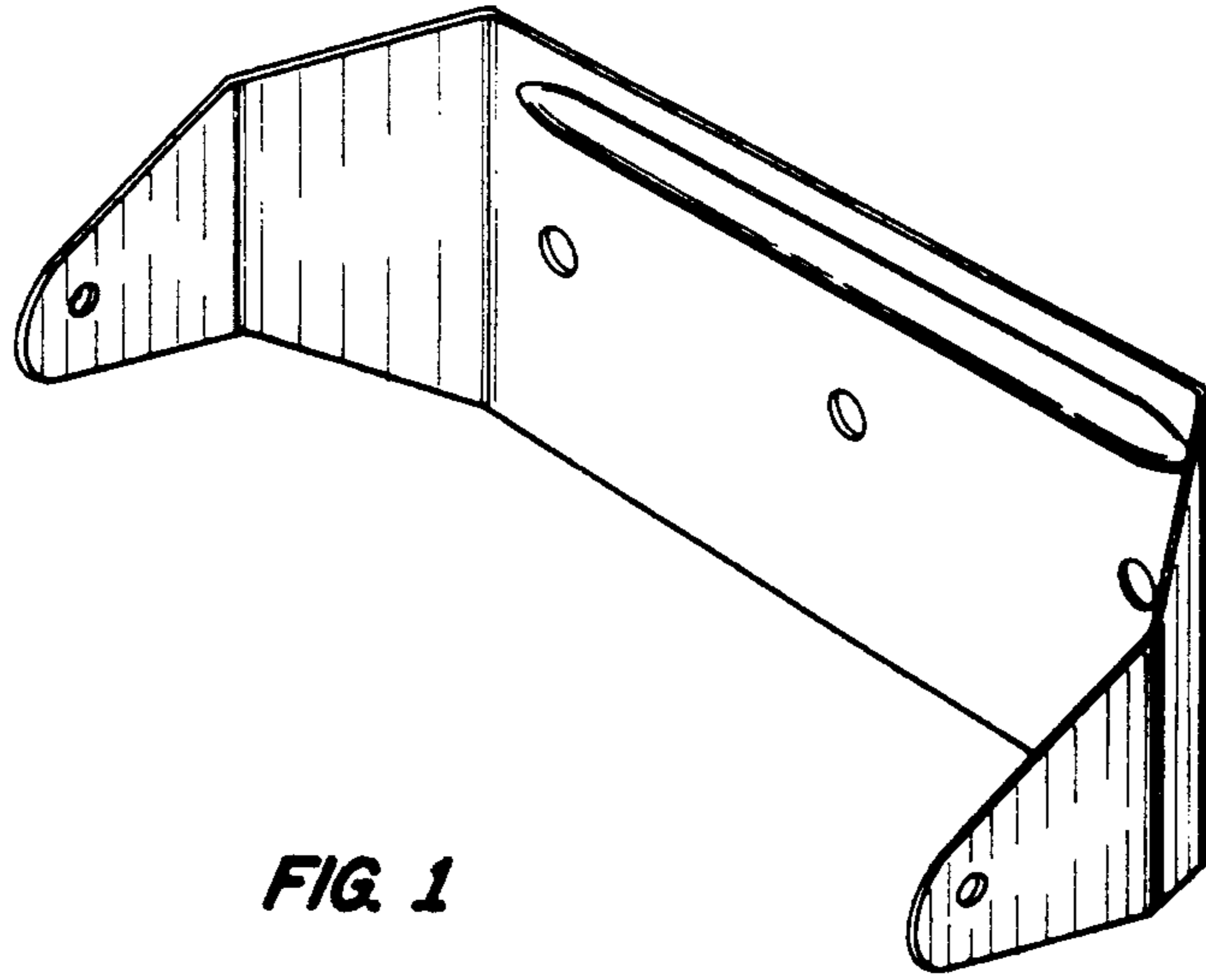


FIG. 1

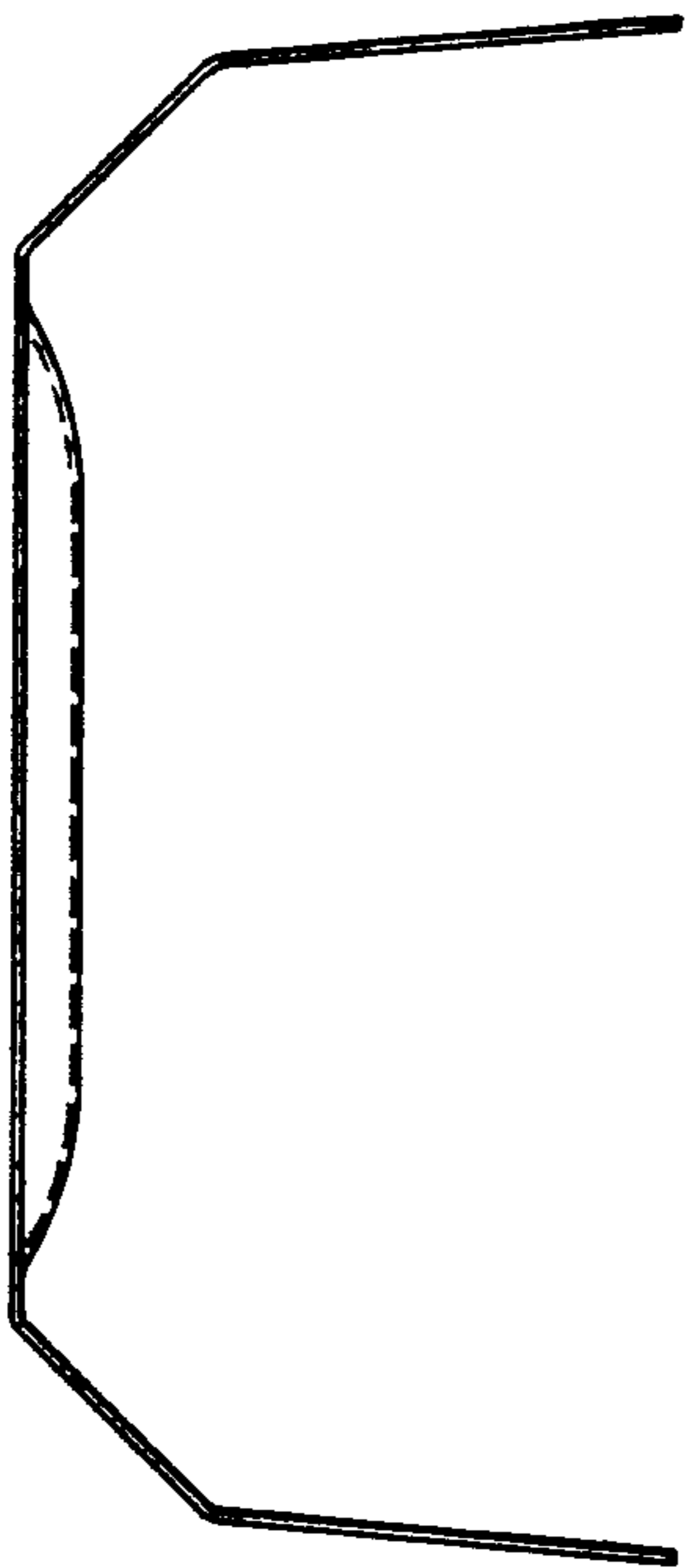


FIG. 2

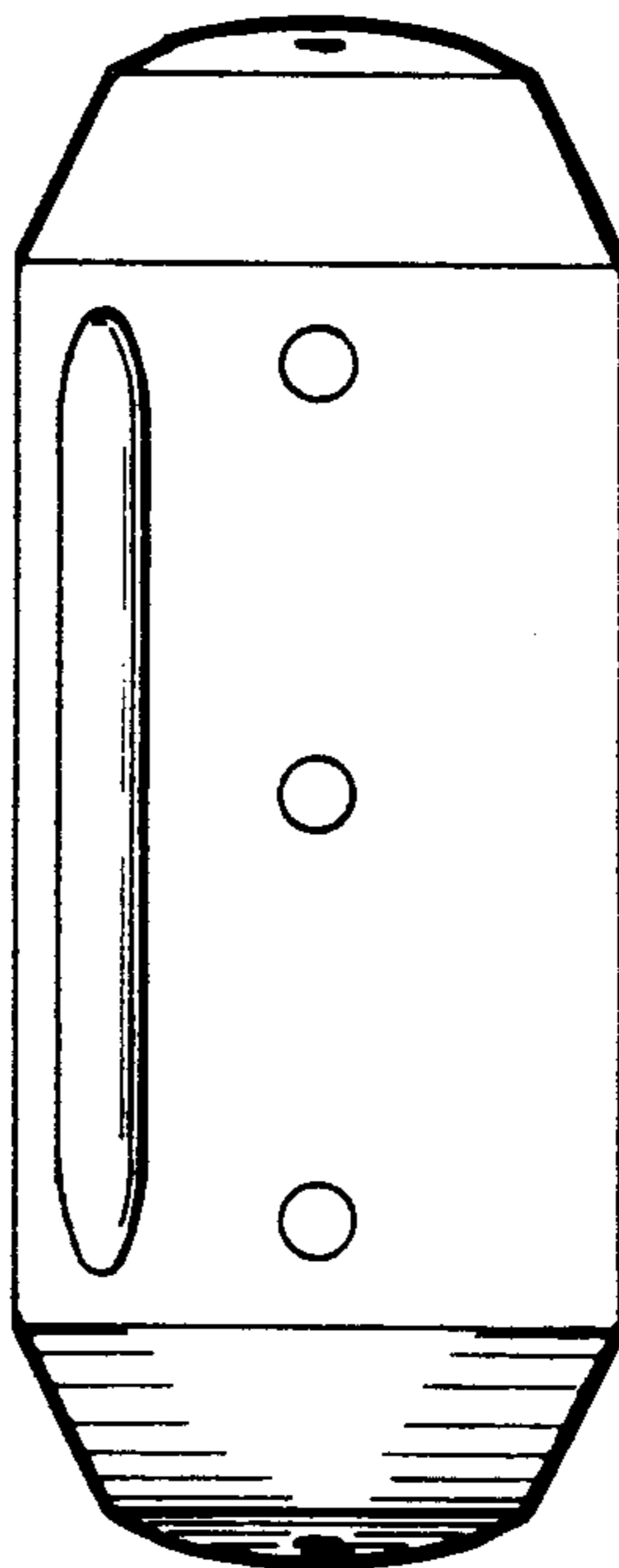


FIG. 3

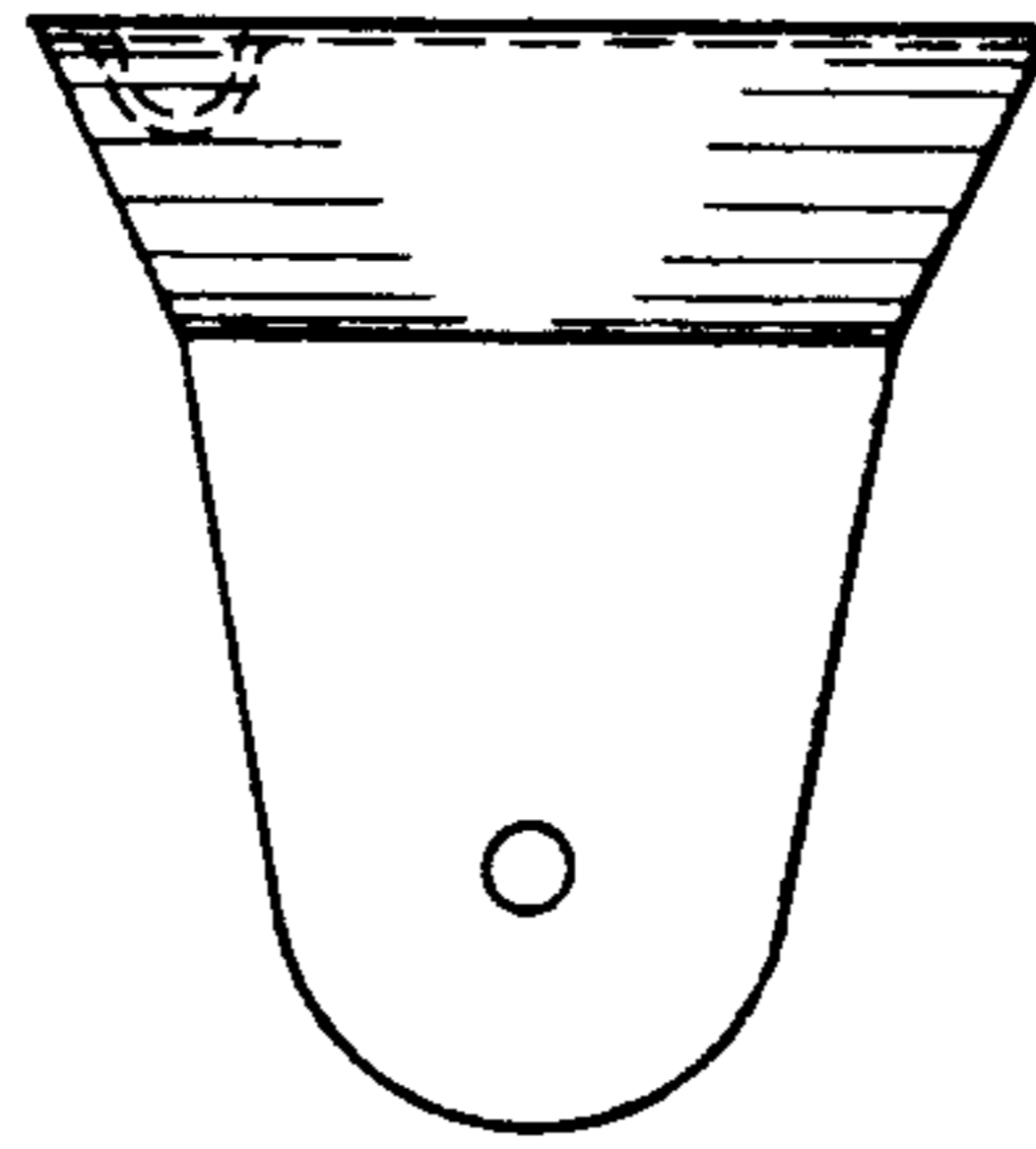


FIG. 4