

[54] BRACKET FOR MOUNTING HEATER VENT PIPE BETWEEN JOISTS AND RAFTERS

[76] Inventor: Edward Reynoso, 3196 Northview Dr., Sacramento, Calif. 95833

[**] Term: 14 Years

[21] Appl. No.: 914,810

[22] Filed: Jun. 12, 1978

[51] Int. Cl. D8-08

[52] U.S. Cl. D8/373; D8/380; D8/396; 248/62; 248/57

[58] Field of Search D8/349, 354, 355, 356, D8/363, 373, 376, 380, 394, 395, 396; D23/40, 43, 45; 248/57-59, 62, 65, 74, 74 A, 74 B, 49, 60, 61, 229, 313, 218.4, 219.4, 317, 323, 327, 214; 24/16 R, 16 PB, 90 E, 20 R, 81 G; 85/36

[56] References Cited

U.S. PATENT DOCUMENTS

628,714 7/1899 Ingersoll 248/229 X
2,610,816 9/1952 Vote 248/230 X

FOREIGN PATENT DOCUMENTS

223827 9/1959 Australia 248/49
305977 6/1955 Switzerland 248/62

Primary Examiner—Peter Feldman
Attorney, Agent, or Firm—Robert G. West

[57] CLAIM

The ornamental design for a bracket for mounting heater vent pipe between joists and rafters, as shown and described.

DESCRIPTION

FIG. 1 is a perspective view of a bracket for mounting heater vent pipe between joists and rafters, showing my new design;

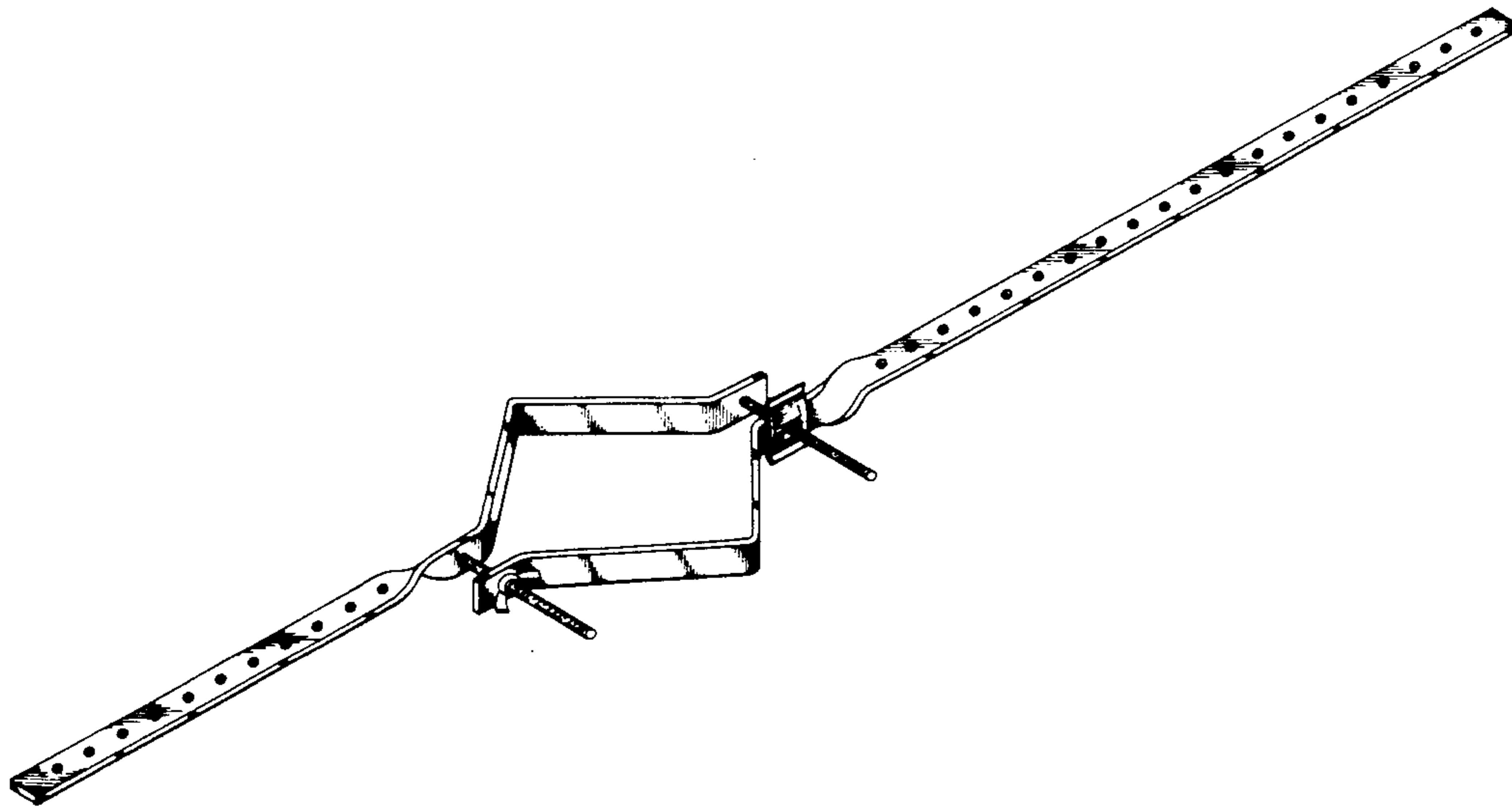
FIG. 2 is a front elevational view thereof;

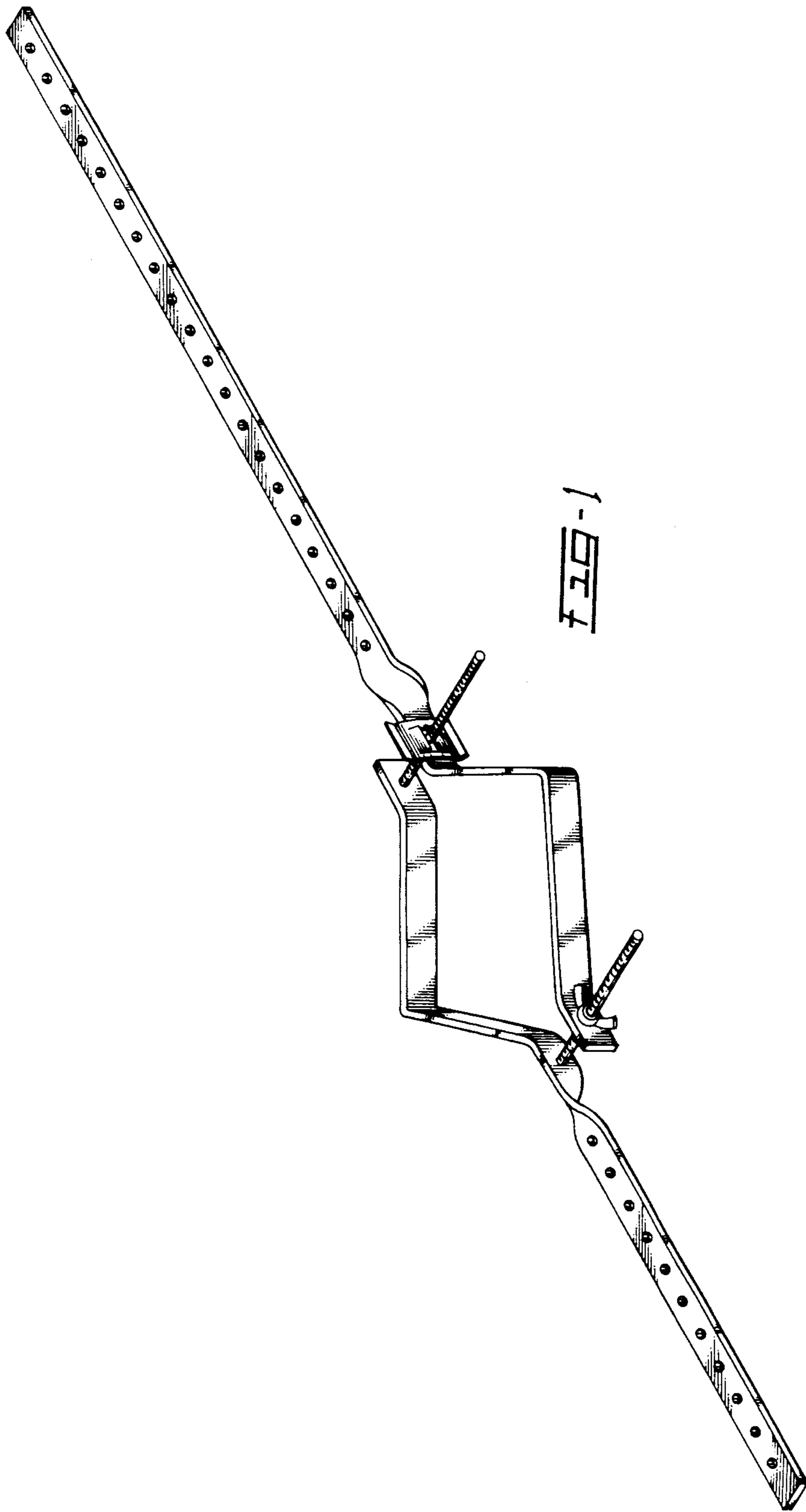
FIG. 3 is a rear elevational view;

FIG. 4 is a bottom plan view, the top plan view being substantially a mirror image thereof, as appears in FIG. 1, the circular broken line representing a vent pipe clamped in position being shown for illustrative purposes only and forming no part of the design;

FIG. 5 is an elevational view of the left-hand end of FIG. 4; and,

FIG. 6 is an elevational view of the right-hand end of FIG. 4.





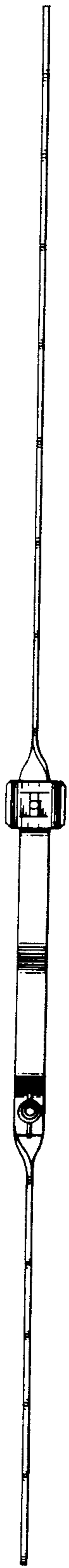


FIG-2



FIG-3

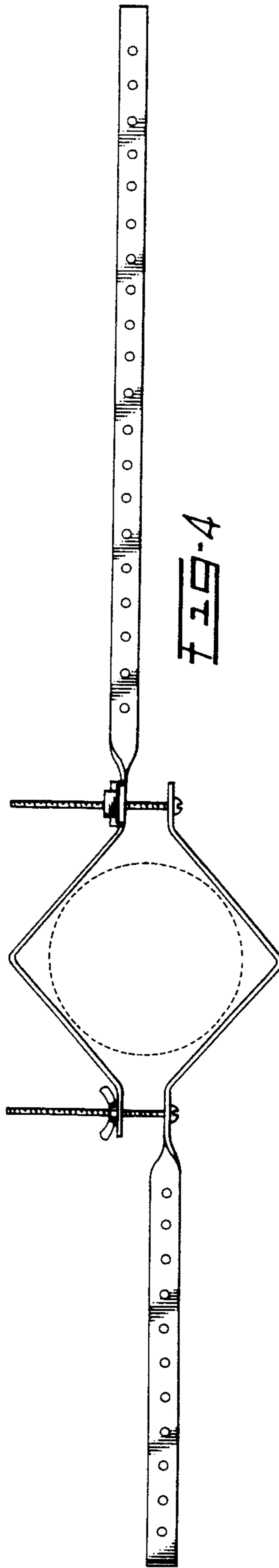


FIG-4



FIG-5



FIG-6