

[54] COMBINED DOOR STOP AND LATCHING DEVICE

1,941,576 1/1934 Phipps 292/DIG. 19
2,872,232 2/1959 Lawson 292/80

[76] Inventor: Mike Y. Morita, 17518 Kristin Ave., Torrance, Calif. 90504

Primary Examiner—Sam Rosen
Attorney, Agent, or Firm—Francis X. Lo Jacono, Sr.

[**] Term: 14 Years

[57] CLAIM

[21] Appl. No.: 928,722

The ornamental design for a combined door stop and latching device, as shown and described.

[22] Filed: Jul. 27, 1978

DESCRIPTION

[51] Int. Cl. D8—08; D8—09

[52] U.S. Cl. D8/331; D8/402

[58] Field of Search D8/330, 331, 400, 402; 292/DIG. 19, 246

FIG. 1 is a perspective view of a combined door stop and latching device showing my new design;

FIG. 2 is a side-elevational view of the side not seen in FIG. 1;

FIG. 3 is a top plan view thereof;

FIG. 4 is a front-elevational view thereof; and

FIG. 5 is a bottom plan view thereof.

The rear of the device is plain and unornamented.

[56] References Cited

U.S. PATENT DOCUMENTS

1,041,869 10/1912 Prator 292/DIG. 19

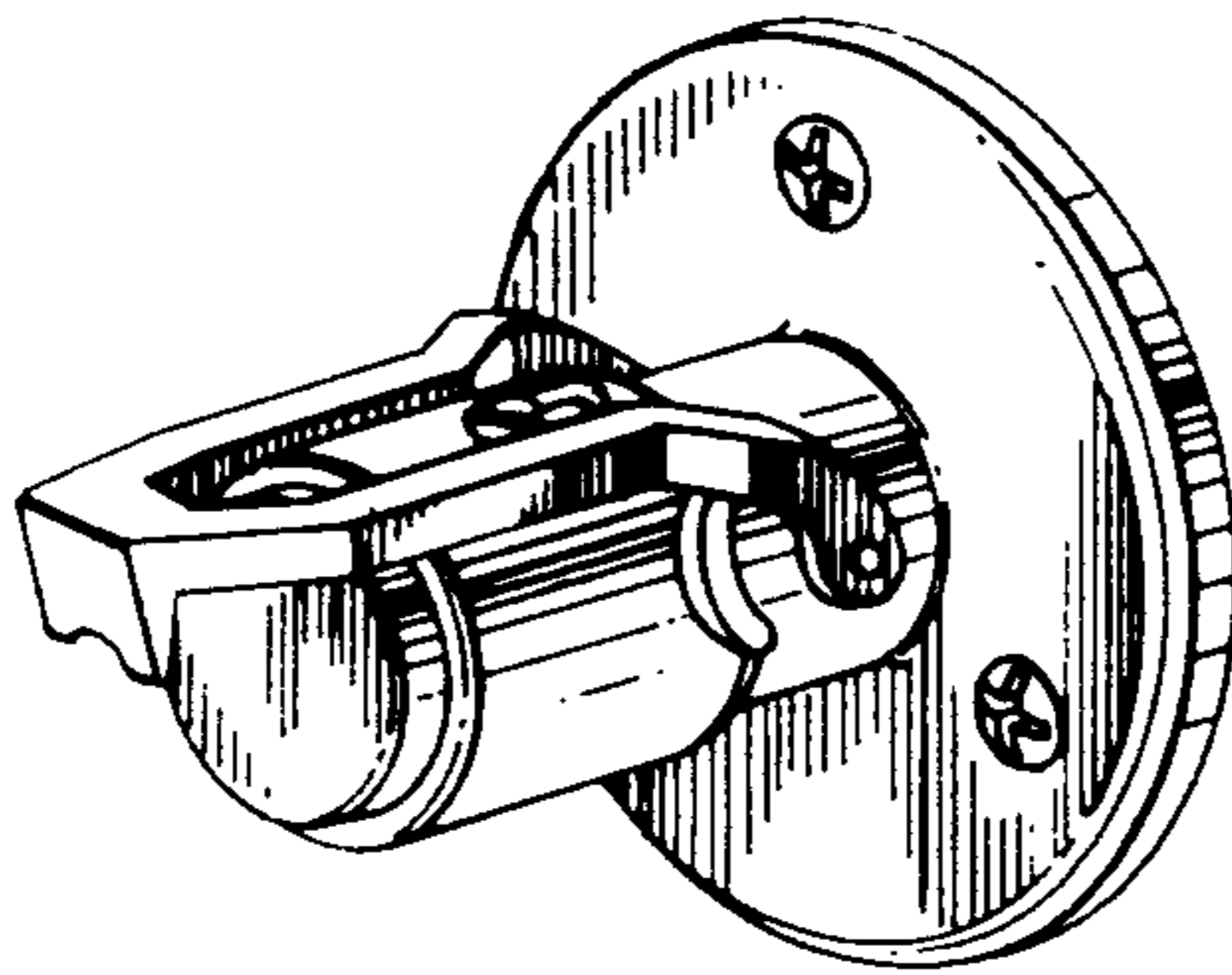


FIG. 1

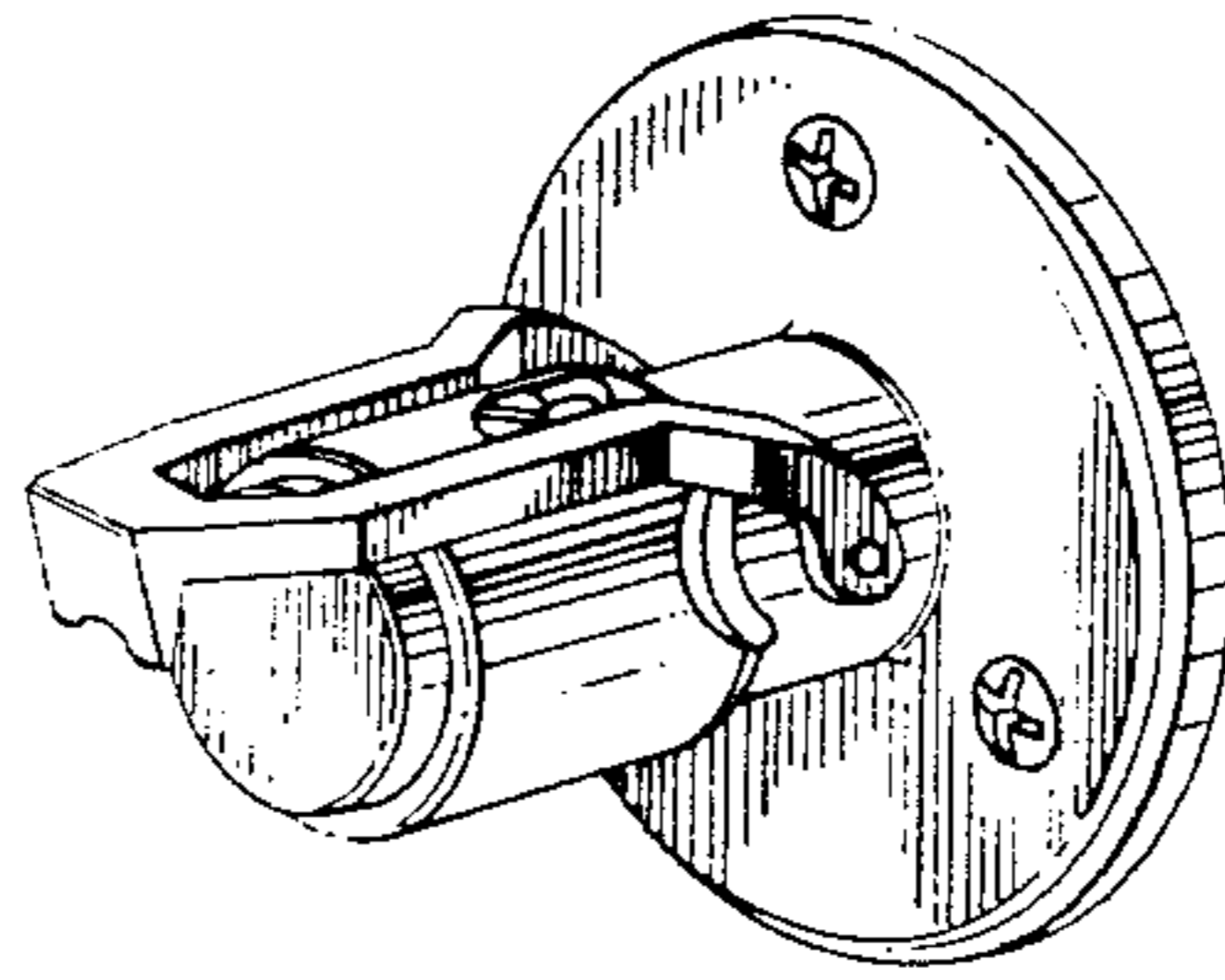


FIG. 2

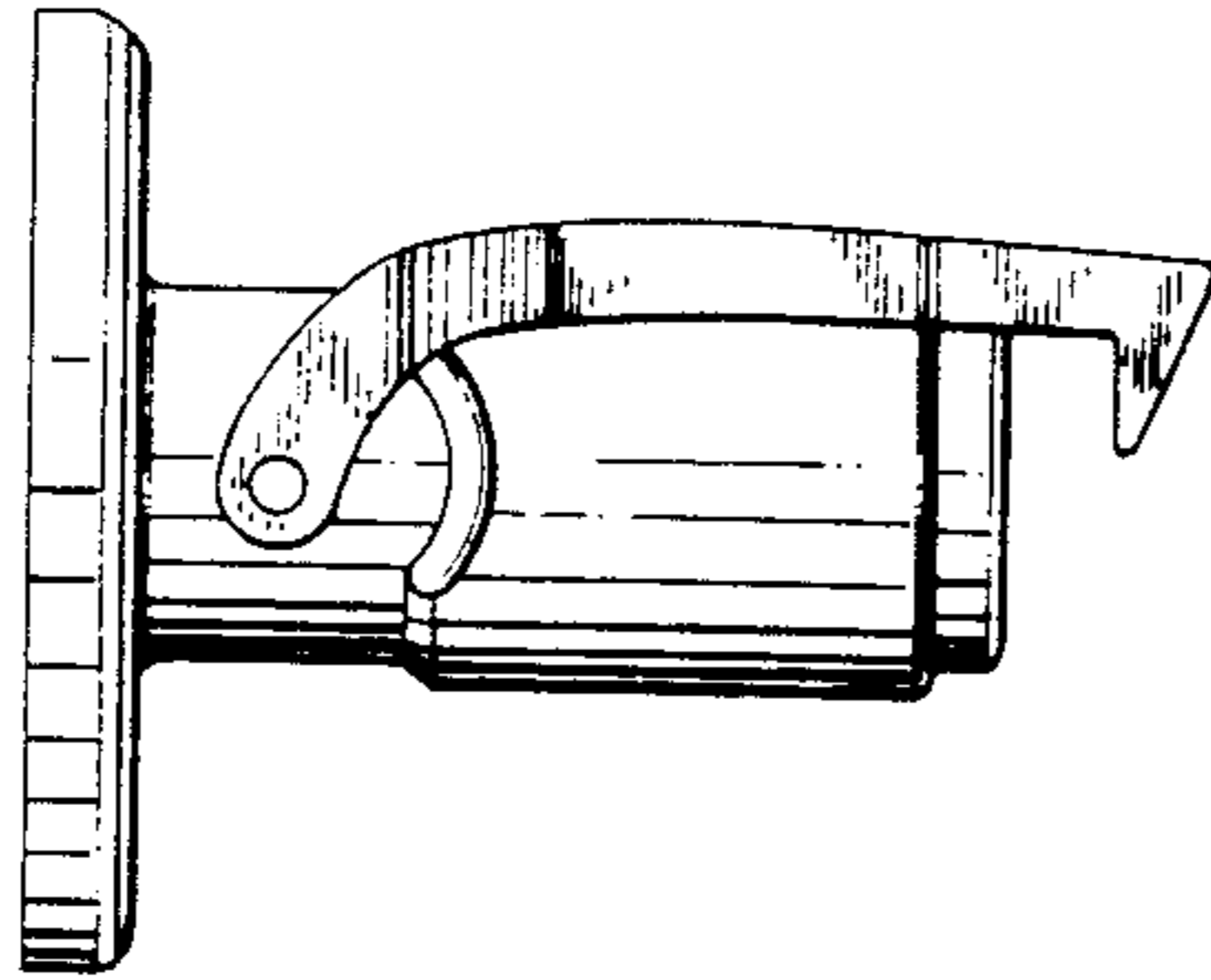


FIG. 3

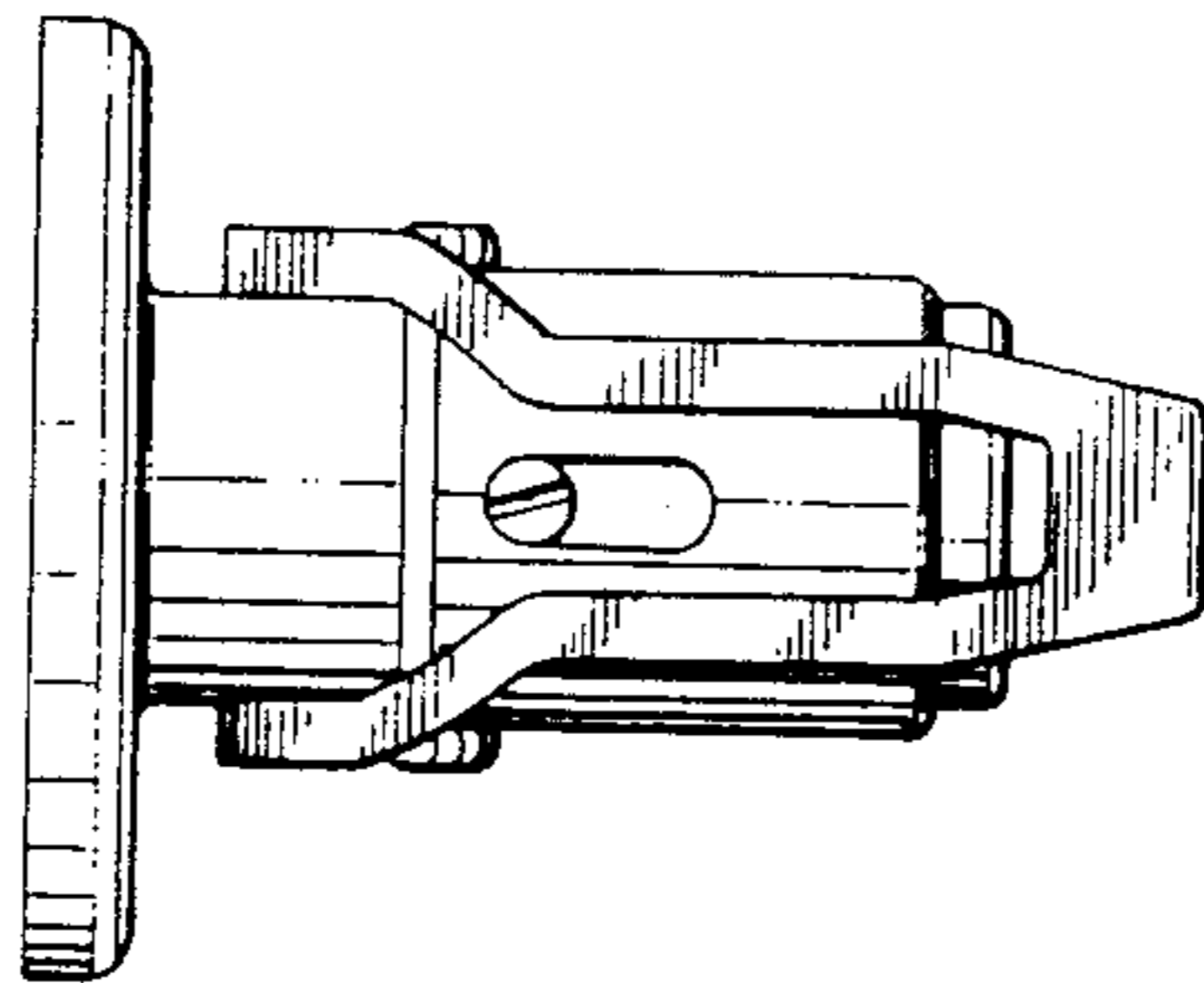


FIG. 4

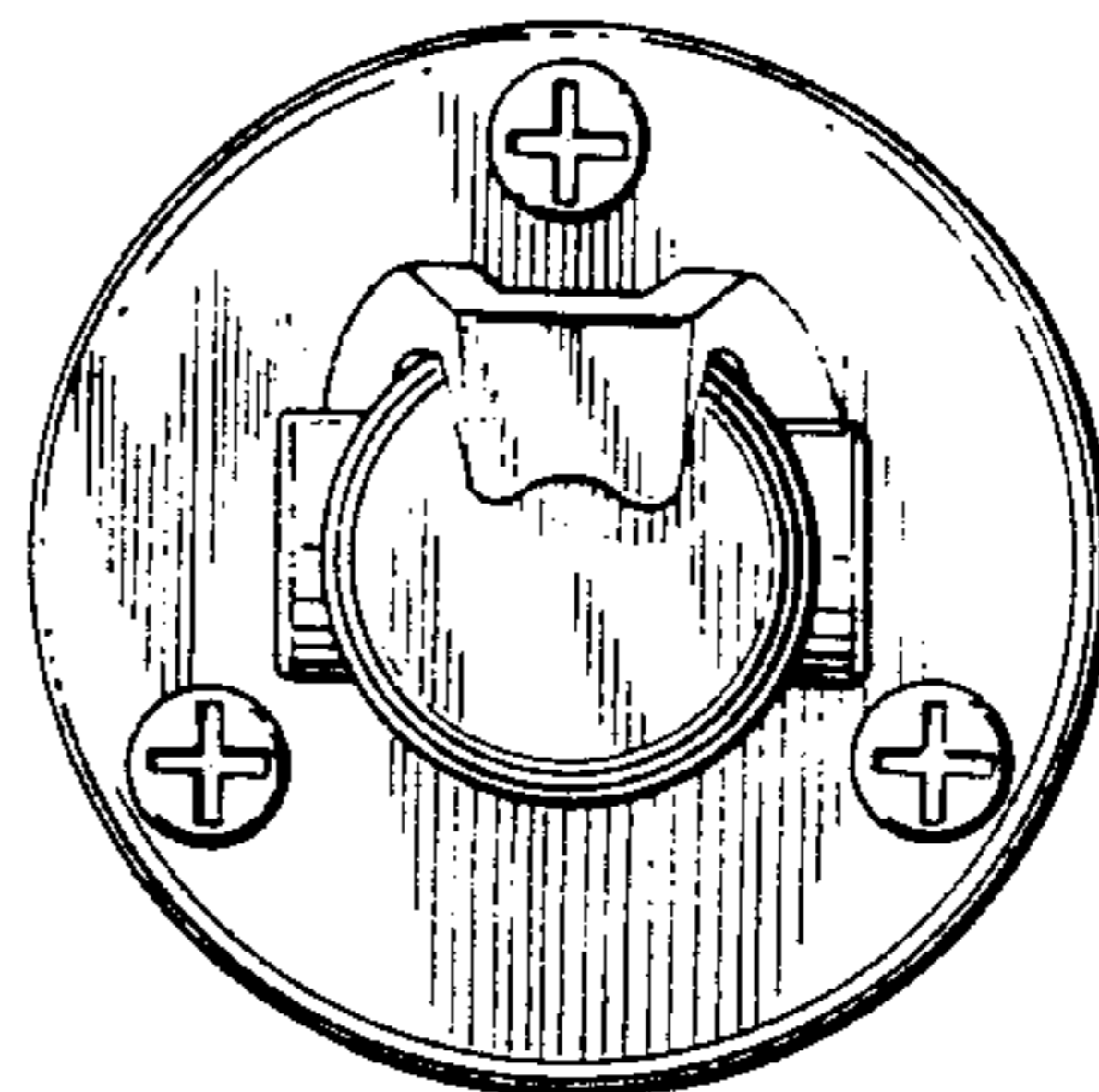


FIG. 5

