

[54] **SPRINKLER CLEANER**  
[76] Inventor: **Harvey C. Holland**, Box 35, Ord  
Ferry Stage, Chico, Calif. 95926  
[\*\*] Term: **14 Years**  
[21] Appl. No.: **922,106**  
[22] Filed: **Jul. 5, 1978**  
[51] Int. Cl. .... **D7-05**  
[52] U.S. Cl. .... **D7/161**  
[58] Field of Search ..... **D7/161, 181, 183, 184,**  
**D7/185; 81/3 R; 7/114, 118, 119, 167, 168, 170;**  
**15/104 R, 104.02, 104.05, 105**  
[56] **References Cited**  
**U.S. PATENT DOCUMENTS**  
63,102 3/1867 Russ ..... 7/118

1,076,010 10/1913 Cameron ..... 7/118 X  
1,343,705 6/1920 Bernz ..... 15/104.05  
2,473,758 6/1949 Maitlen ..... 7/168 X  
3,316,634 5/1967 Bliss ..... 7/168 X

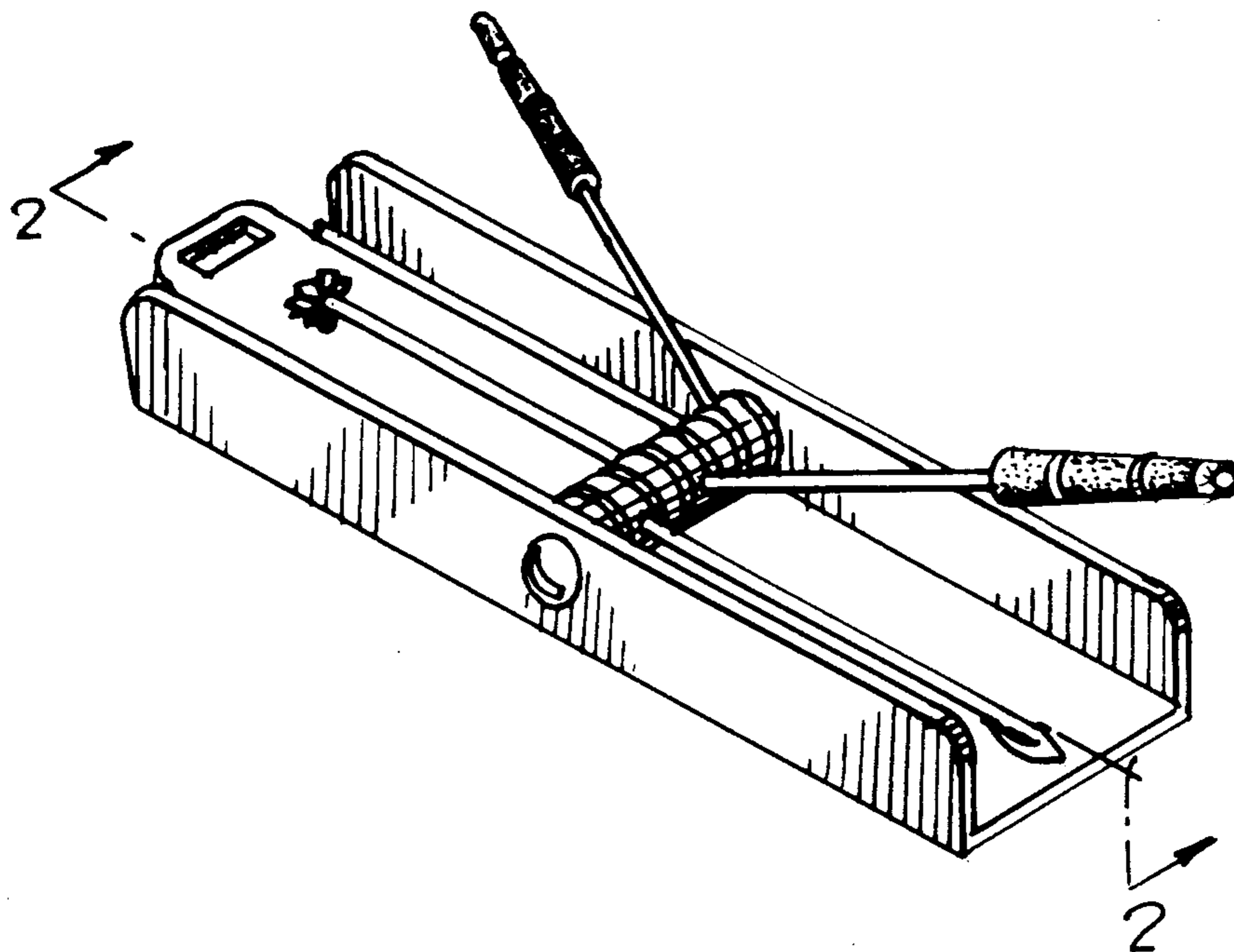
*Primary Examiner*—Catherine E. Kemper  
*Attorney, Agent, or Firm*—Bernhard Kreten

[57] **CLAIM**

The ornamental design for a sprinkler cleaner, substantially as shown and described.

**DESCRIPTION**

FIG. 1 is an isometric view of a sprinkler cleaner, showing my new design;  
FIG. 2 is a sectional view taken along lines 2—2 of FIG. 1; and  
FIG. 3 is a sectional view taken along lines 3—3 of FIG. 1.



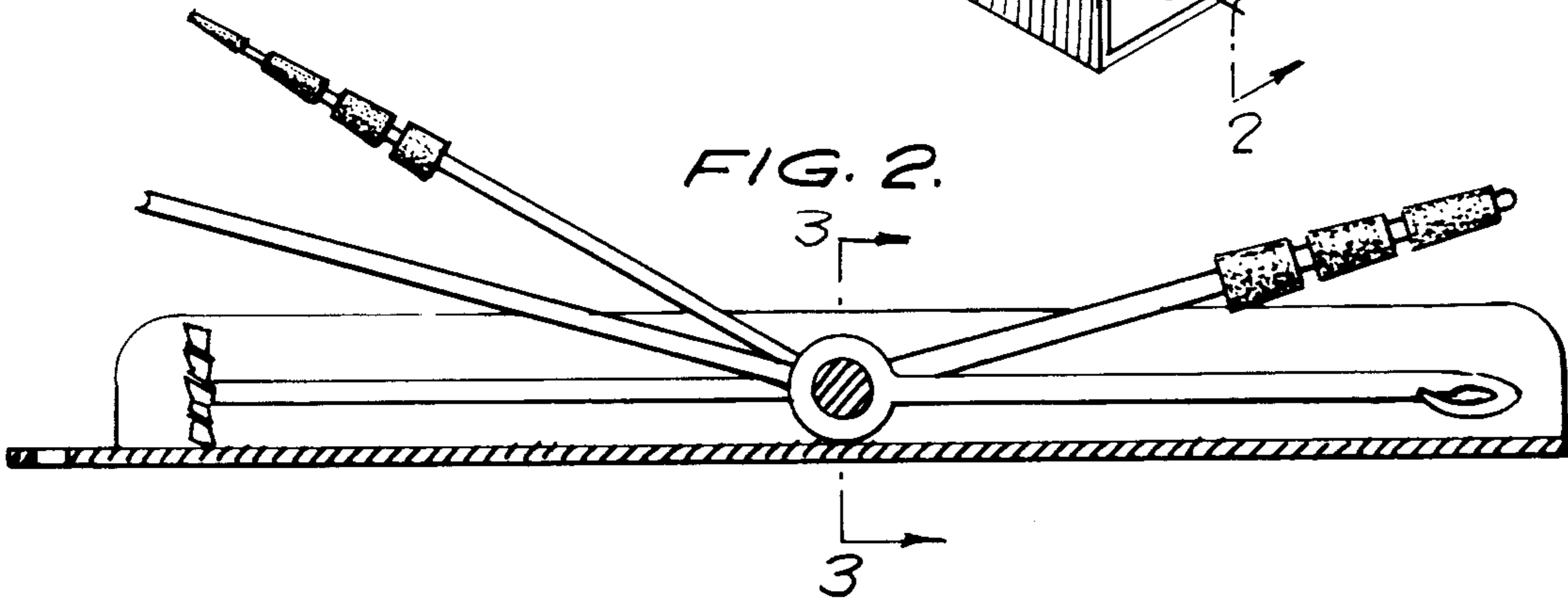
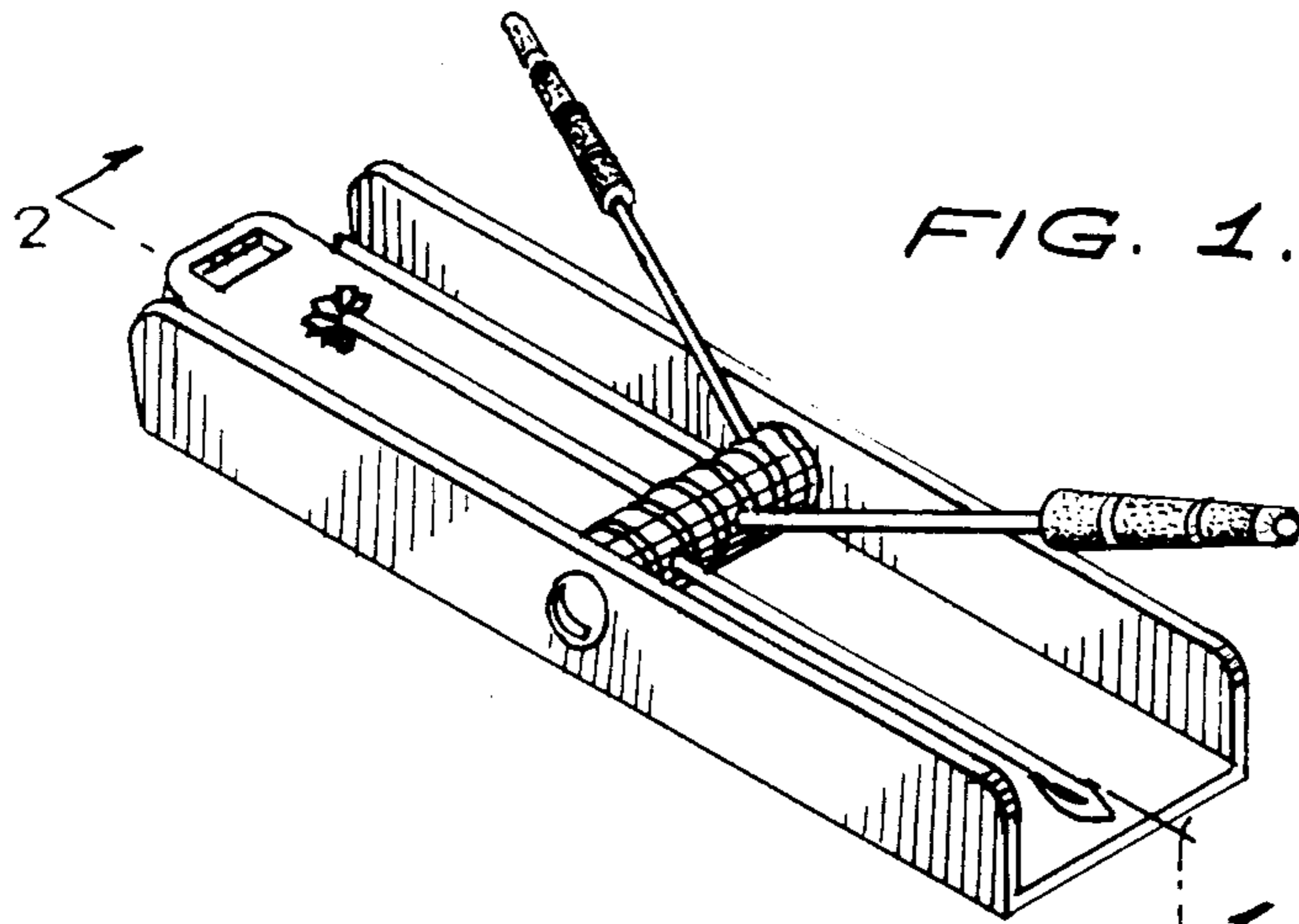


FIG. 3.

