

- [54] COVER FOR A FOOD CONTAINER
- [75] Inventor: **Rino Conti**, Stoughton, Mass.
- [73] Assignee: **Dart Industries Inc.**, Los Angeles, Calif.
- [**] Term: **14 Years**
- [21] Appl. No.: **11,244**
- [22] Filed: **Feb. 12, 1979**
- [51] Int. Cl. **D07—01; D07—07**
- [52] U.S. Cl. **D7/131; D9/435**
- [58] Field of Search **D9/254, 219, 237, 238, D9/239, 242; D7/40, 131, 16, 76, 37**

D. 239,818	5/1976	Vatne	D9/254
D. 241,599	9/1976	Croyle et al.	D7/16 X
2,585,180	2/1952	Smith	D7/131 X
2,885,135	5/1959	Friday	D9/219 X

Primary Examiner—Winifred E. Herrmann
Attorney, Agent, or Firm—Leigh B. Taylor

[57] CLAIM

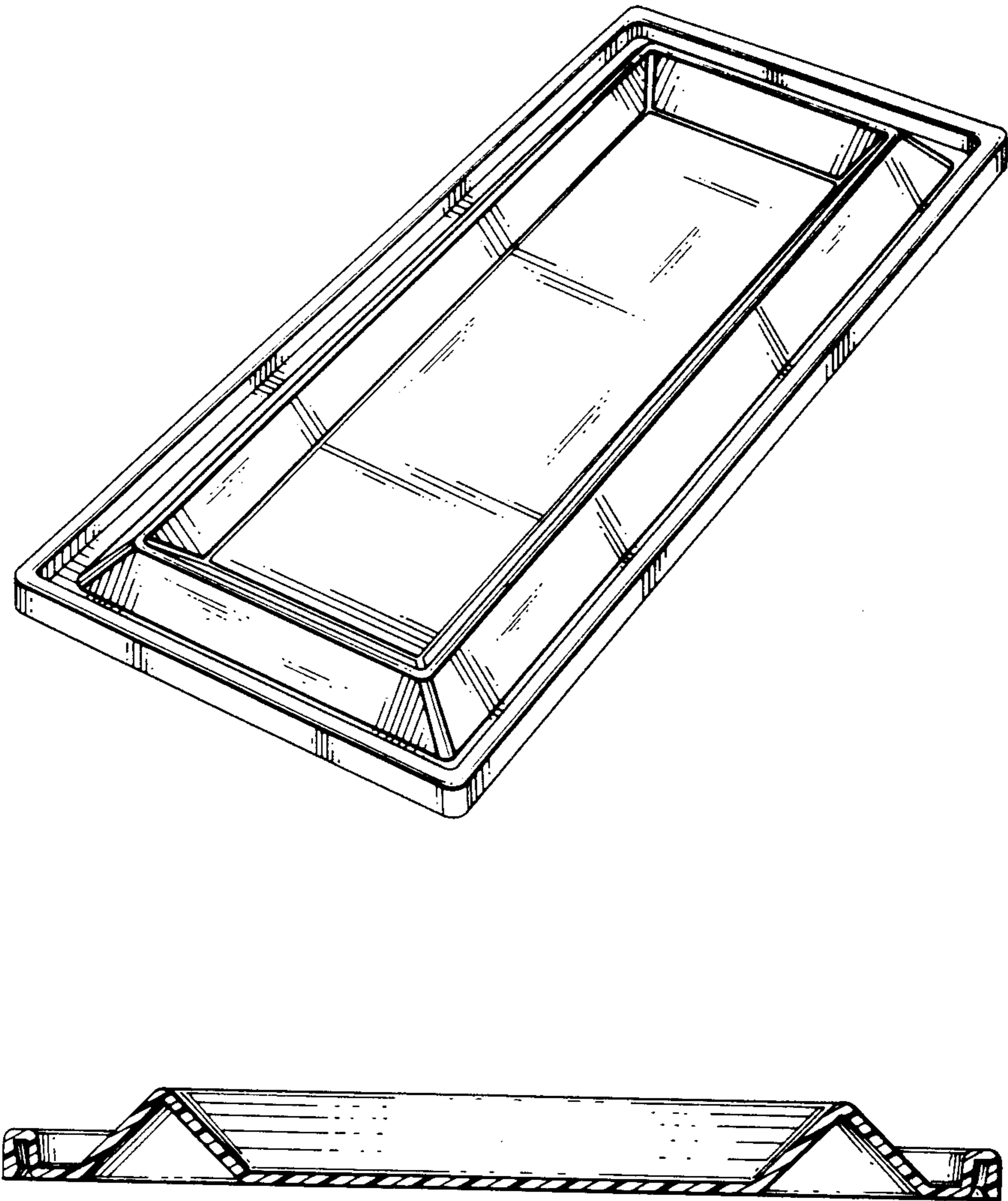
The ornamental design for a cover for a food container, substantially as shown.

DESCRIPTION

FIG. 1 is a top perspective view of a cover for a food container showing my new design;
 FIG. 2 is a side elevational view thereof;
 FIG. 3 is a top plan view thereof;
 FIG. 4 is a bottom plan view thereof;
 FIG. 5 is an end elevational view thereof;
 FIG. 6 is an enlarged cross-sectional view thereof taken along line 6—6 of FIG. 3.

[56] **References Cited**
 U.S. PATENT DOCUMENTS

D. 213,390	2/1969	Bruce	D7/40
D. 220,381	4/1971	Buxton	D9/254



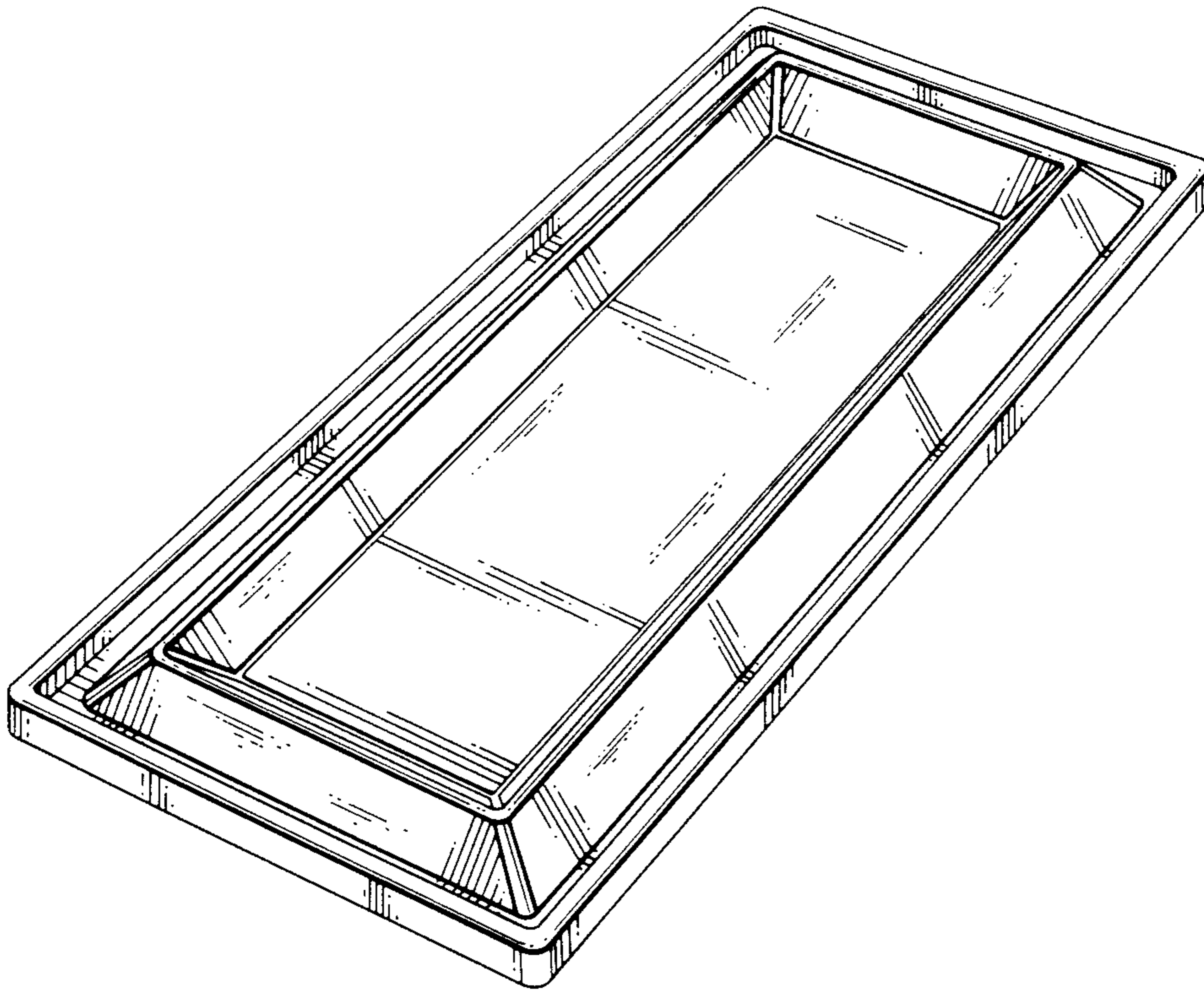


FIG. 1

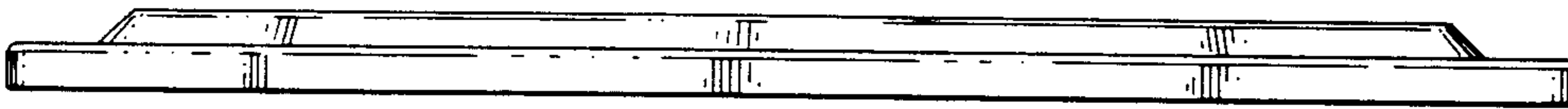


FIG. 2

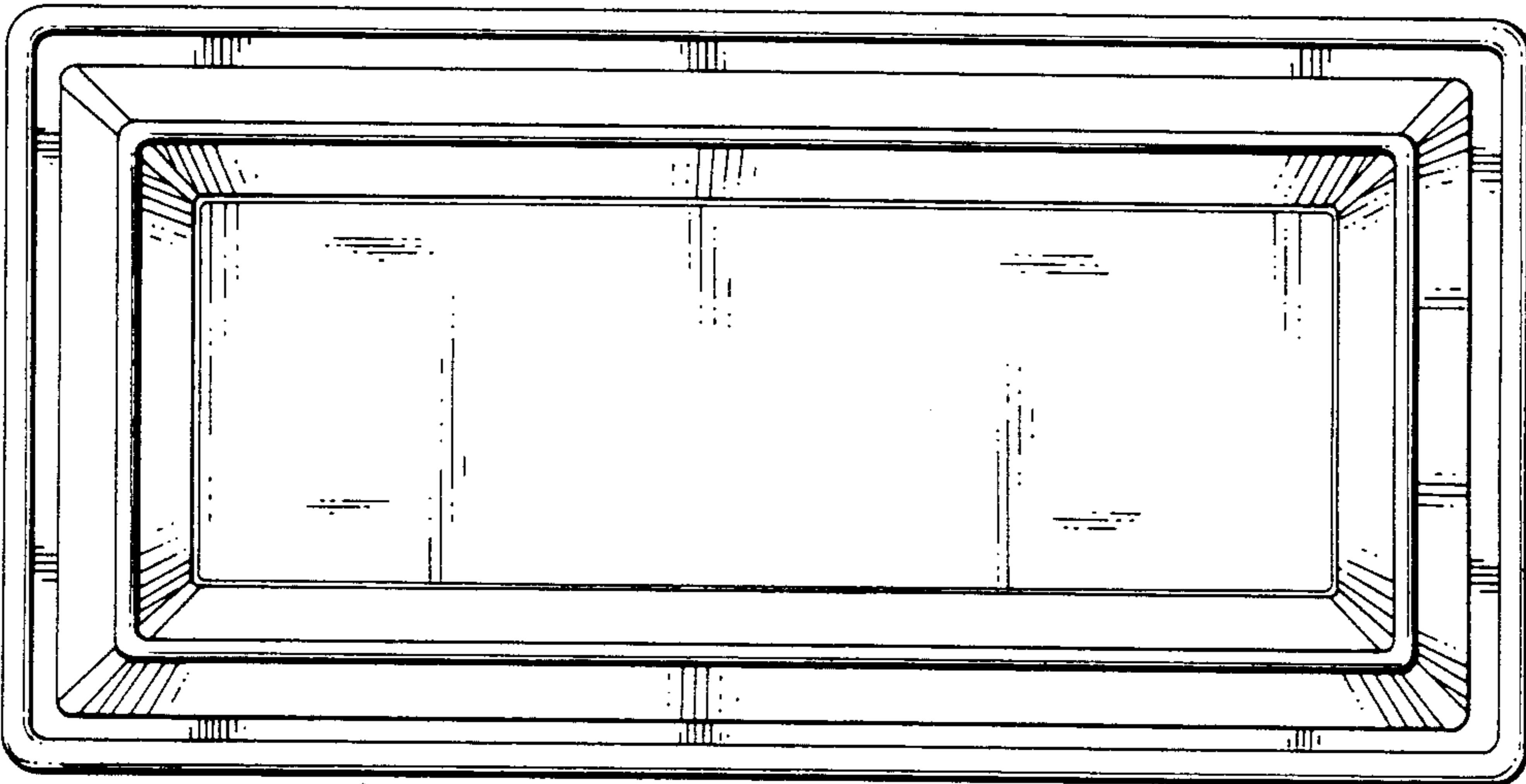


FIG. 3

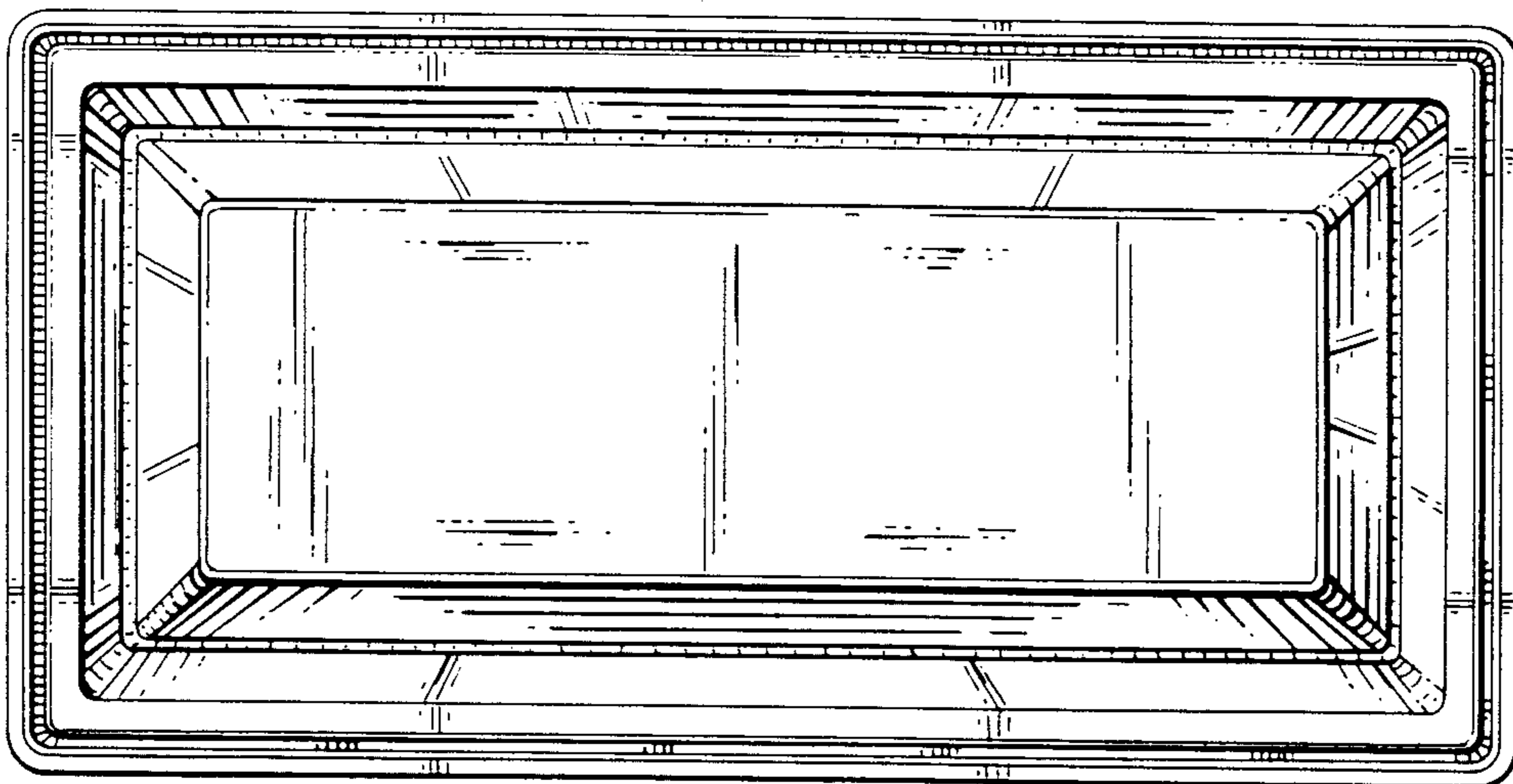


FIG. 4

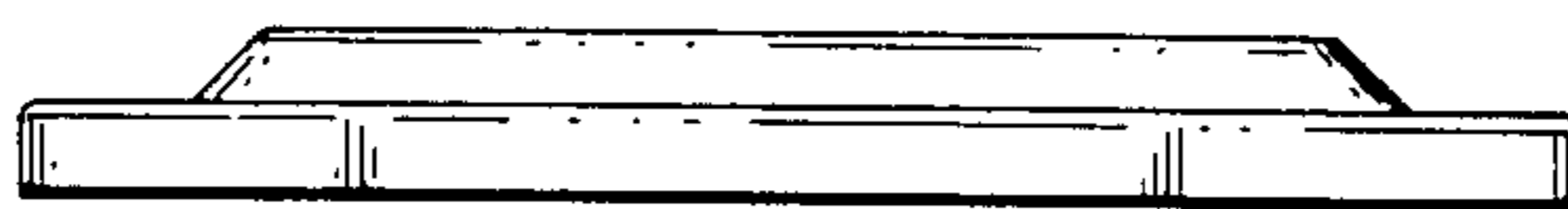


FIG. 5

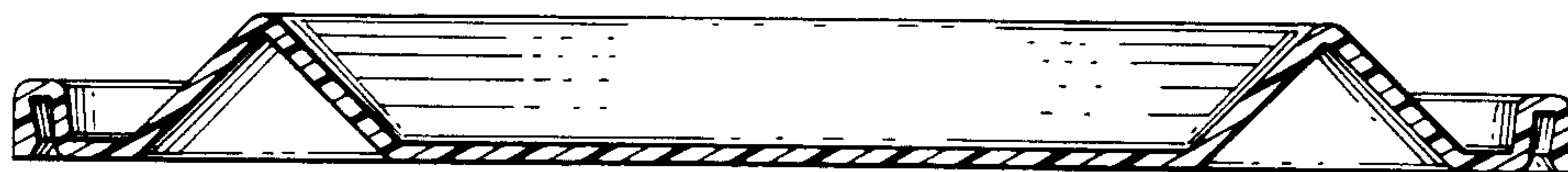


FIG. 6