

[54] ICE CUBE TONGS OR SIMILAR ARTICLE

[75] Inventor: Jorma Vennola, Iittala, Finland

[73] Assignee: A. Ahlstrom Osakeyhtio, Noormarkku, Finland

[\*\*] Term: 14 Years

[21] Appl. No.: 2,941

[22] Filed: Jan. 12, 1979

[51] Int. Cl. .... D07-06

[52] U.S. Cl. .... D7/105

[58] Field of Search ..... D7/10 S, 152; 294/7, 294/33, 99

[56] References Cited

U.S. PATENT DOCUMENTS

828,625	8/1906	Ogg	294/99 R
1,627,880	5/1927	Baxter	294/33
2,583,903	1/1952	Taylor	294/99 R X

FOREIGN PATENT DOCUMENTS

786153	8/1935	France	294/33
19486	of 1894	United Kingdom	294/99 R

OTHER PUBLICATIONS

*Russell Harrington Cutlery, Inc.*, item #ST-1, tongs stainless, rosewood.

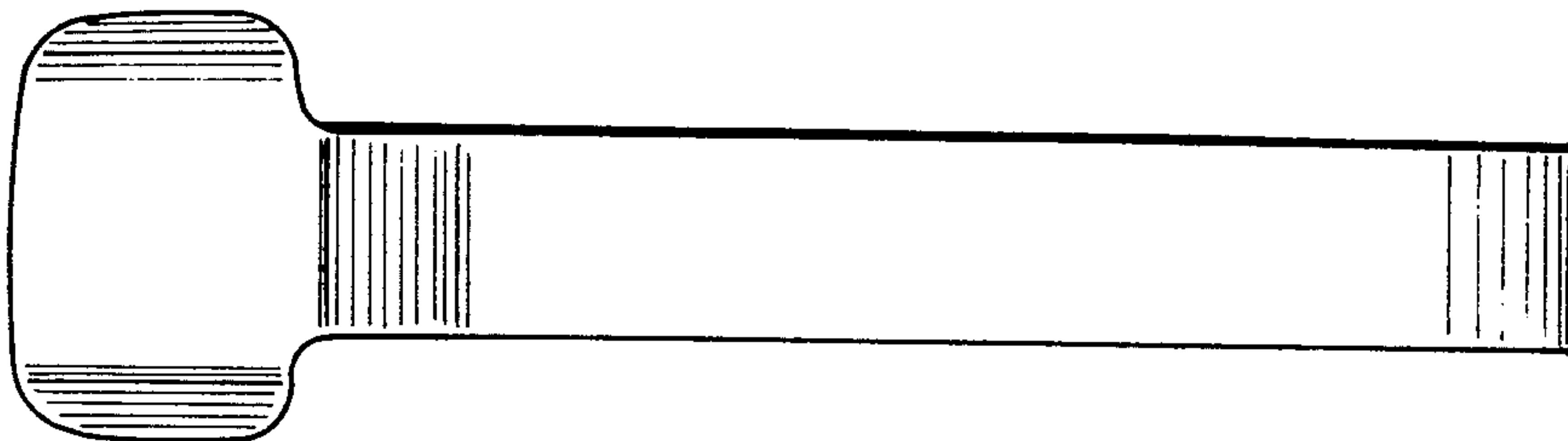
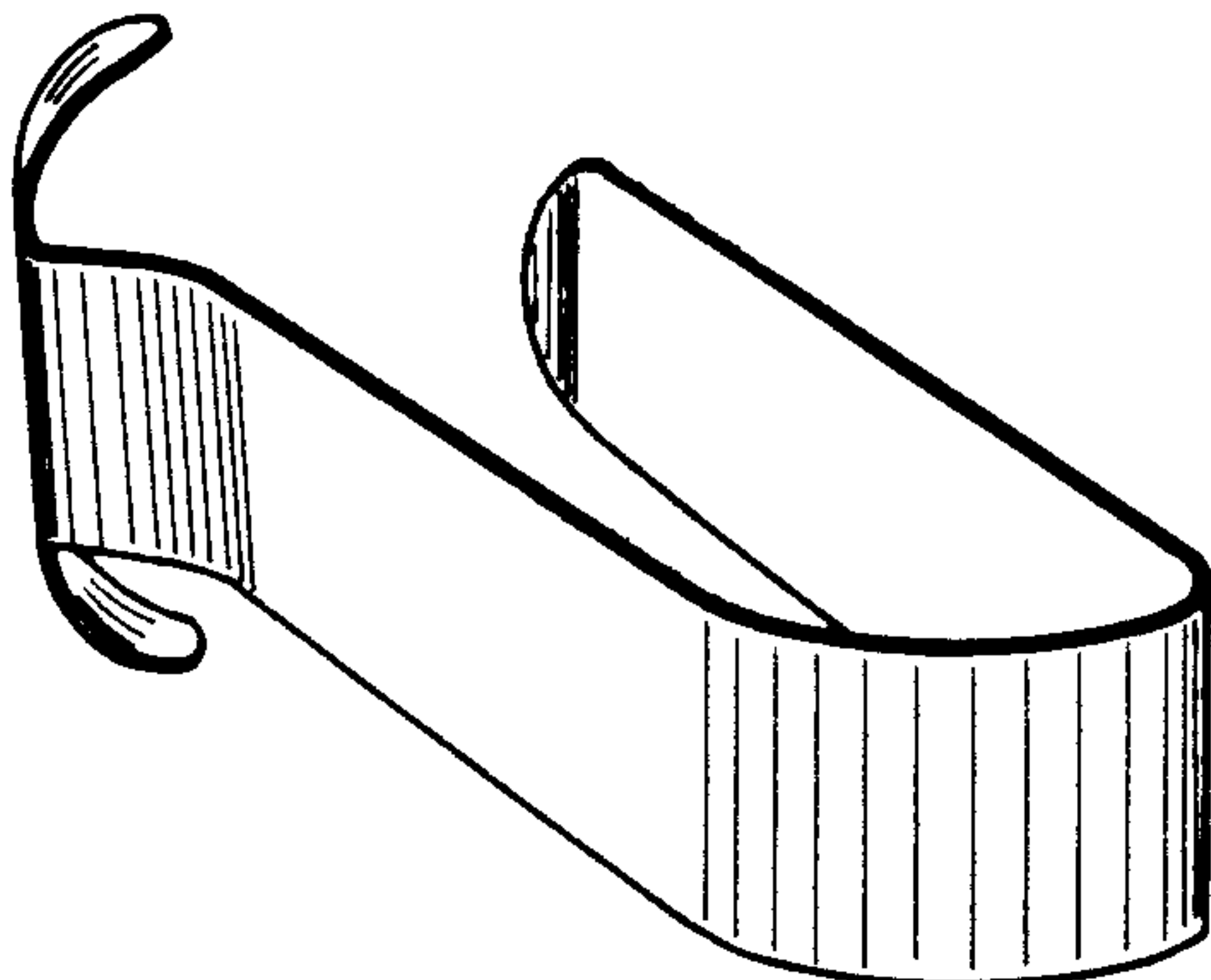
*Primary Examiner*—Winifred E. Herrmann  
*Attorney, Agent, or Firm*—Ralph E. Bucknam

[57] CLAIM

The ornamental design for ice cube tongs or similar article, as shown.

DESCRIPTION

FIG. 1 is a perspective view of ice cube tongs or similar article showing my new design;  
FIG. 2 is a left side elevational view thereof of FIG. 1; and  
FIG. 3 is a top plan view thereof.



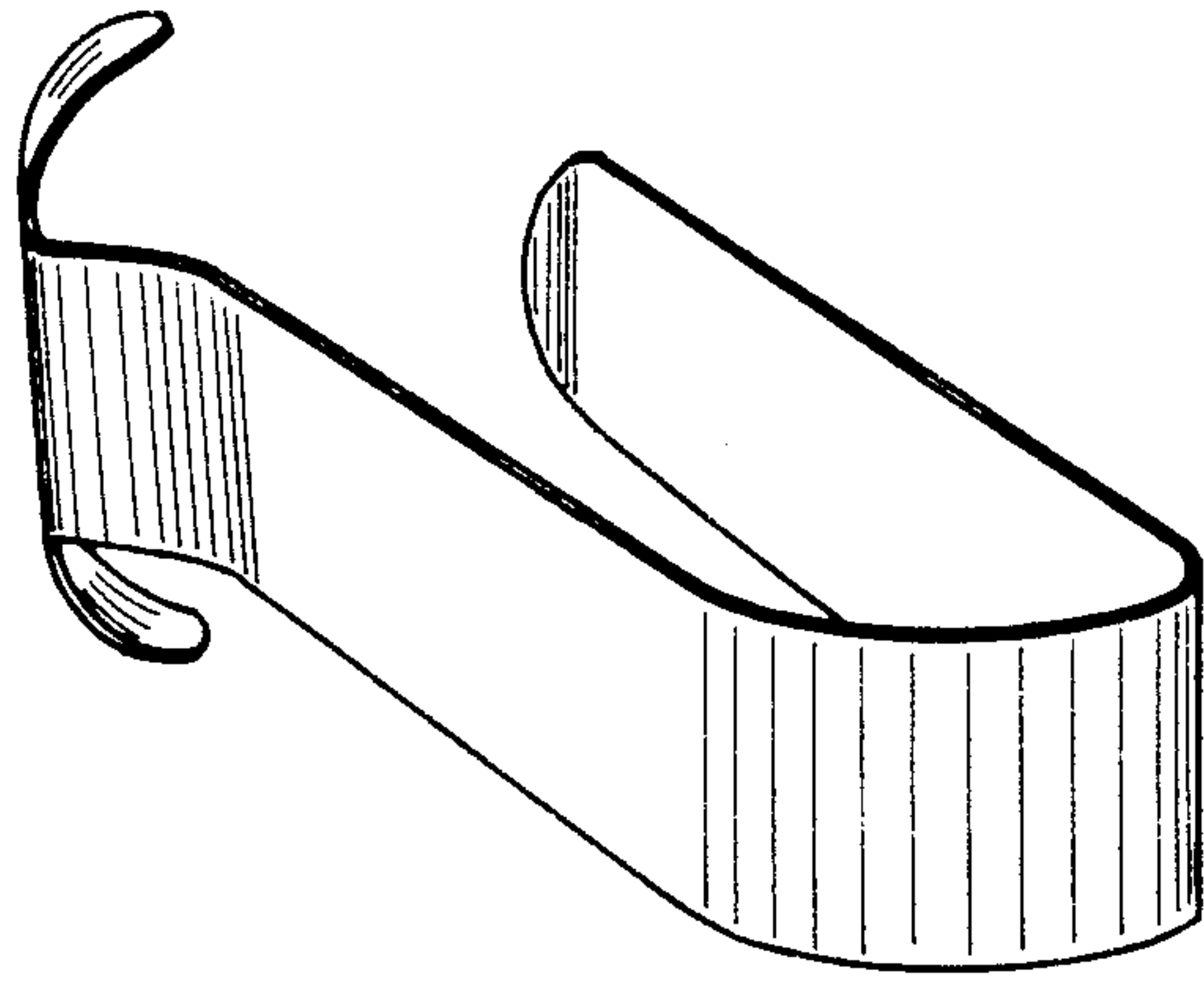


FIG. 1

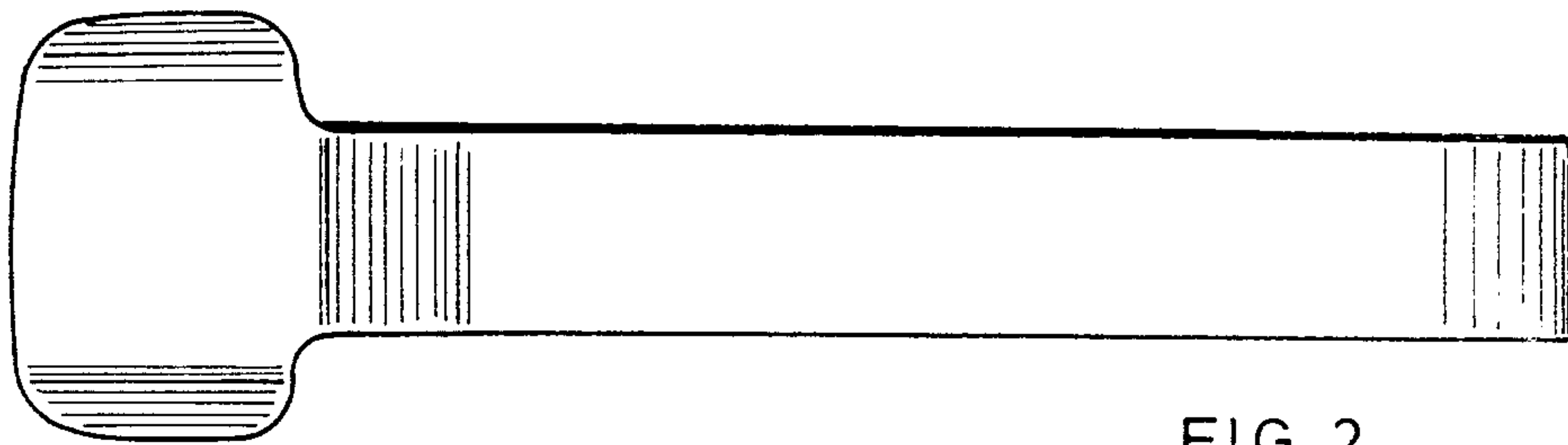


FIG. 2

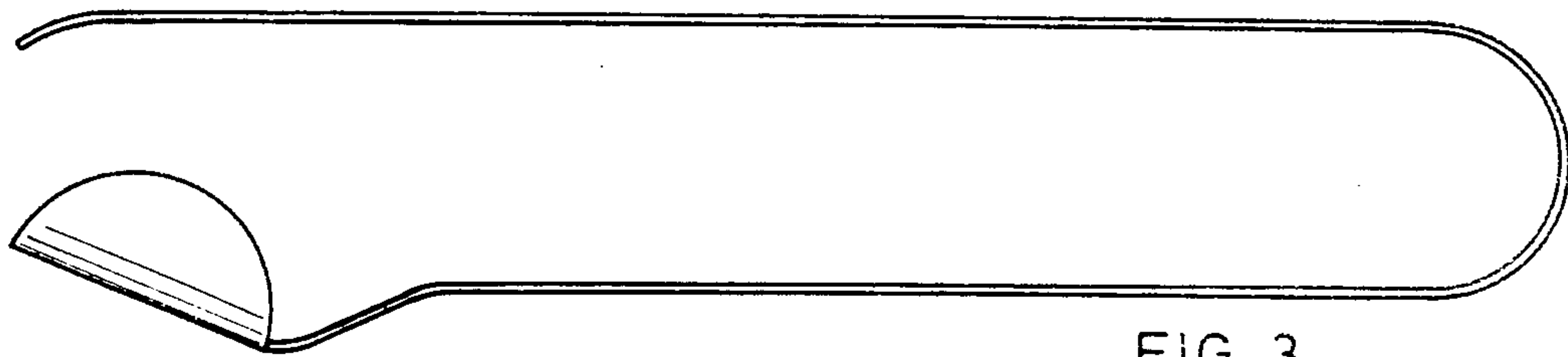


FIG. 3