

[54] CONTAINER CLOSURE OR THE LIKE  
 [75] Inventor: **Rino Conti**, Stoughton, Mass.  
 [73] Assignee: **Dart Industries Inc.**, Los Angeles, Calif.  
 [\*\*] Term: **14 Years**  
 [21] Appl. No.: **66,906**  
 [22] Filed: **Aug. 16, 1979**  
 [51] Int. Cl. .... **D07—01**  
 [52] U.S. Cl. .... **D7/40; D7/131**  
 [58] Field of Search ..... **D9/254, 264, 220, 237, D9/238; D7/40, 131, 17, 16, 76**

D. 229,920 1/1974 Swett ..... D7/17 X  
 3,451,328 6/1969 Swett ..... D7/17 X  
 3,529,531 9/1970 Swett ..... D7/17 X

FOREIGN PATENT DOCUMENTS

547437 5/1956 Belgium ..... D7/131

*Primary Examiner*—Winifred E. Herrmann  
*Attorney, Agent, or Firm*—Leigh B. Taylor

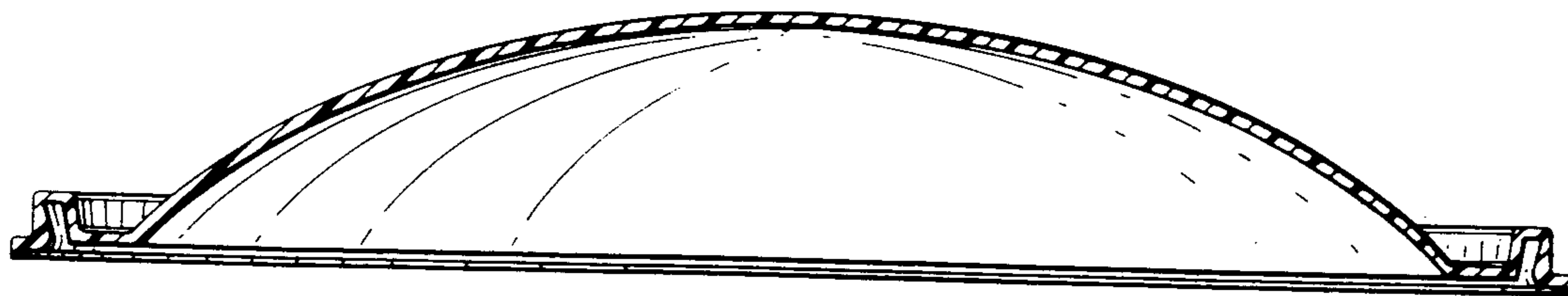
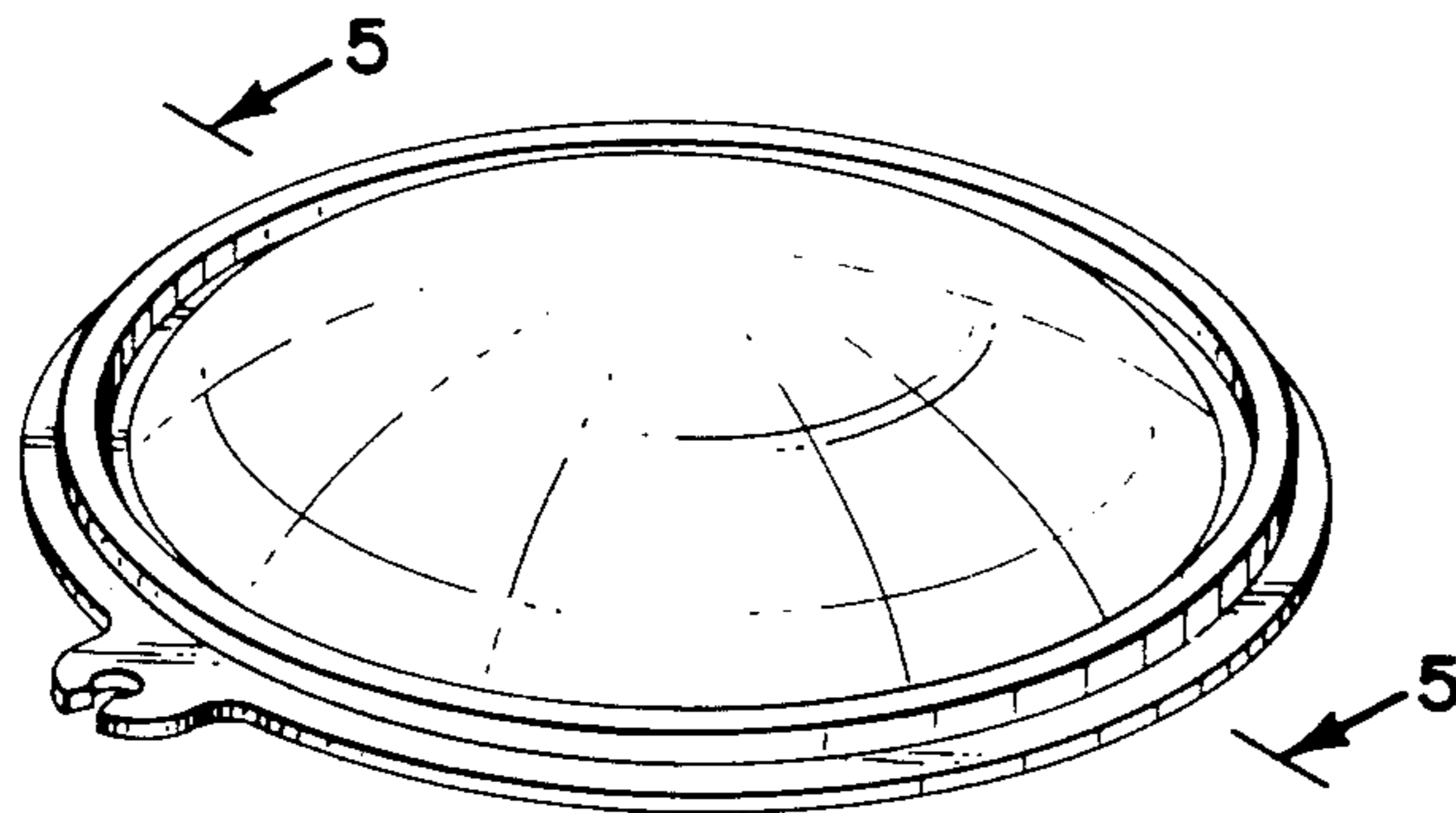
[57] CLAIM

The ornamental design for a container closure or the like, substantially as shown.

DESCRIPTION

FIG. 1 is a top perspective view of a container closure or the like showing my new design;  
 FIG. 2 is a side elevational view thereof;  
 FIG. 3 is a top plan view thereof;  
 FIG. 4 is a bottom plan view thereof; and  
 FIG. 5 is an enlarged cross-sectional view thereof taken along line 5—5 of FIG. 1.

[56] **References Cited**  
**U.S. PATENT DOCUMENTS**  
 D. 167,249 7/1952 Bloch ..... D7/40  
 D. 209,789 1/1968 Huston ..... D9/254  
 D. 228,542 10/1973 Swett ..... D7/17 X



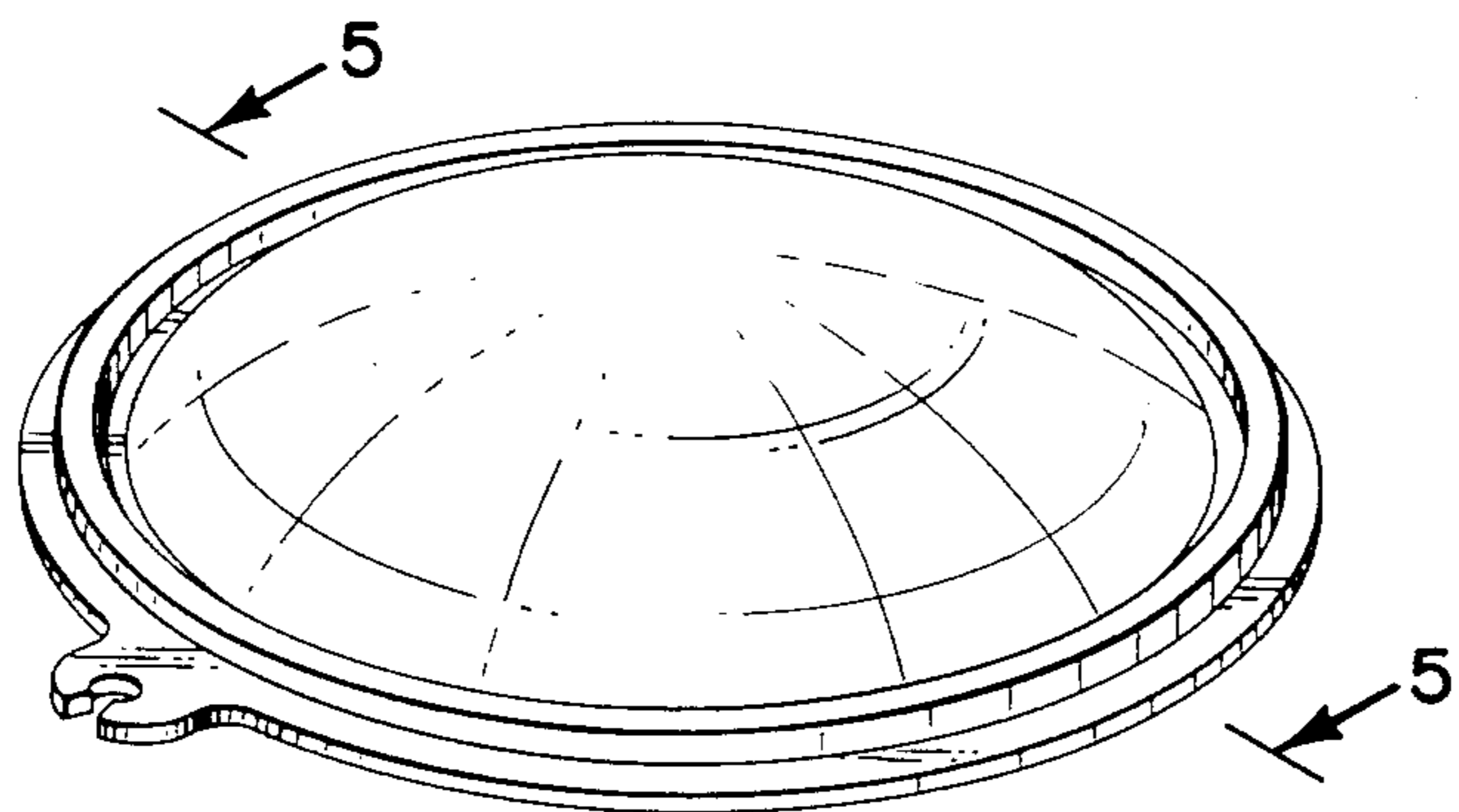


FIG. 1

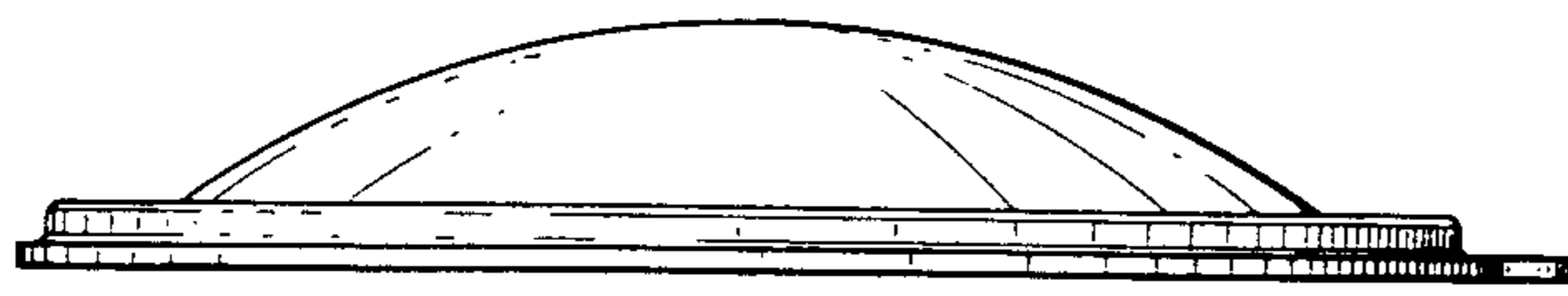


FIG. 2

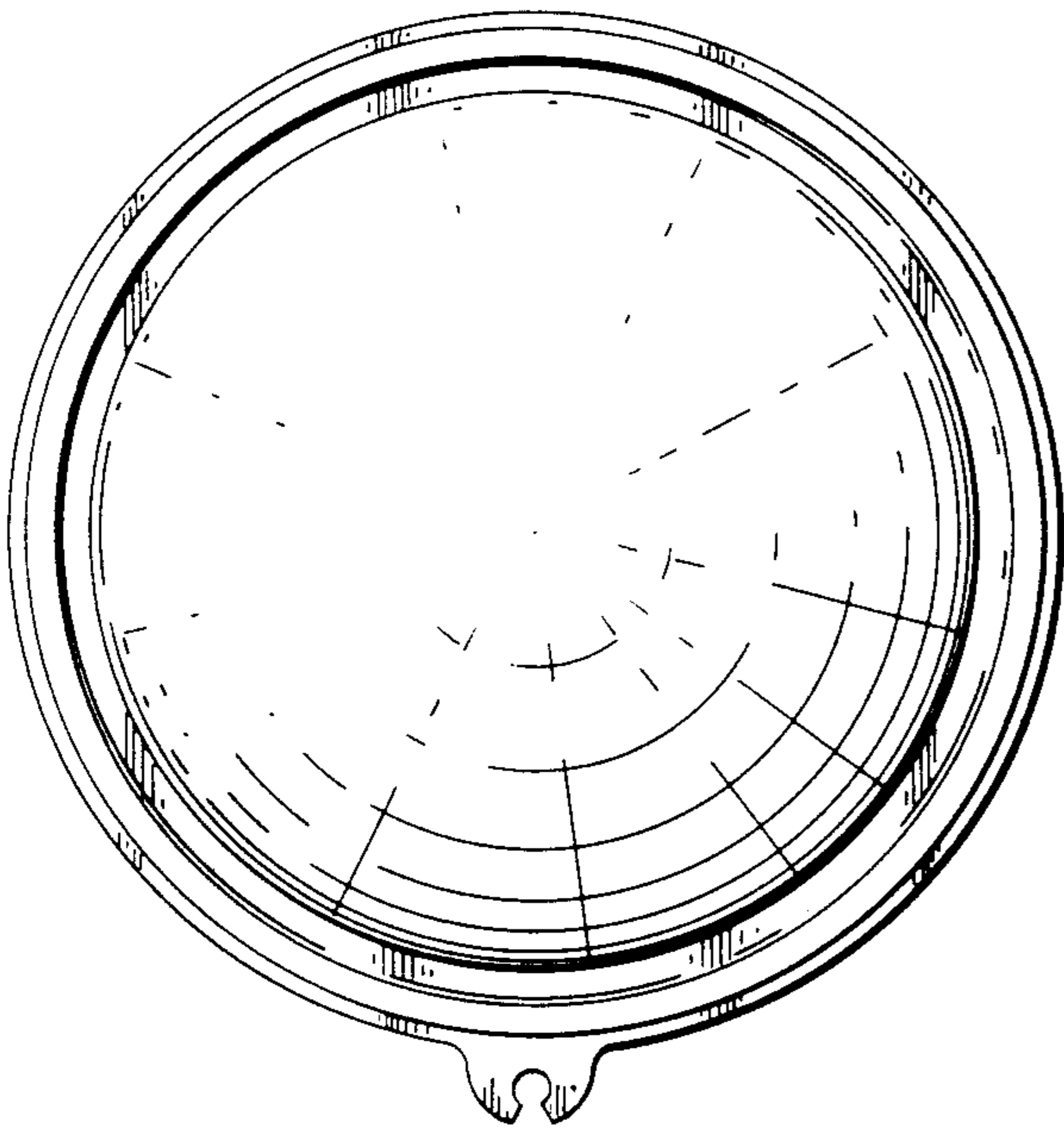


FIG. 3

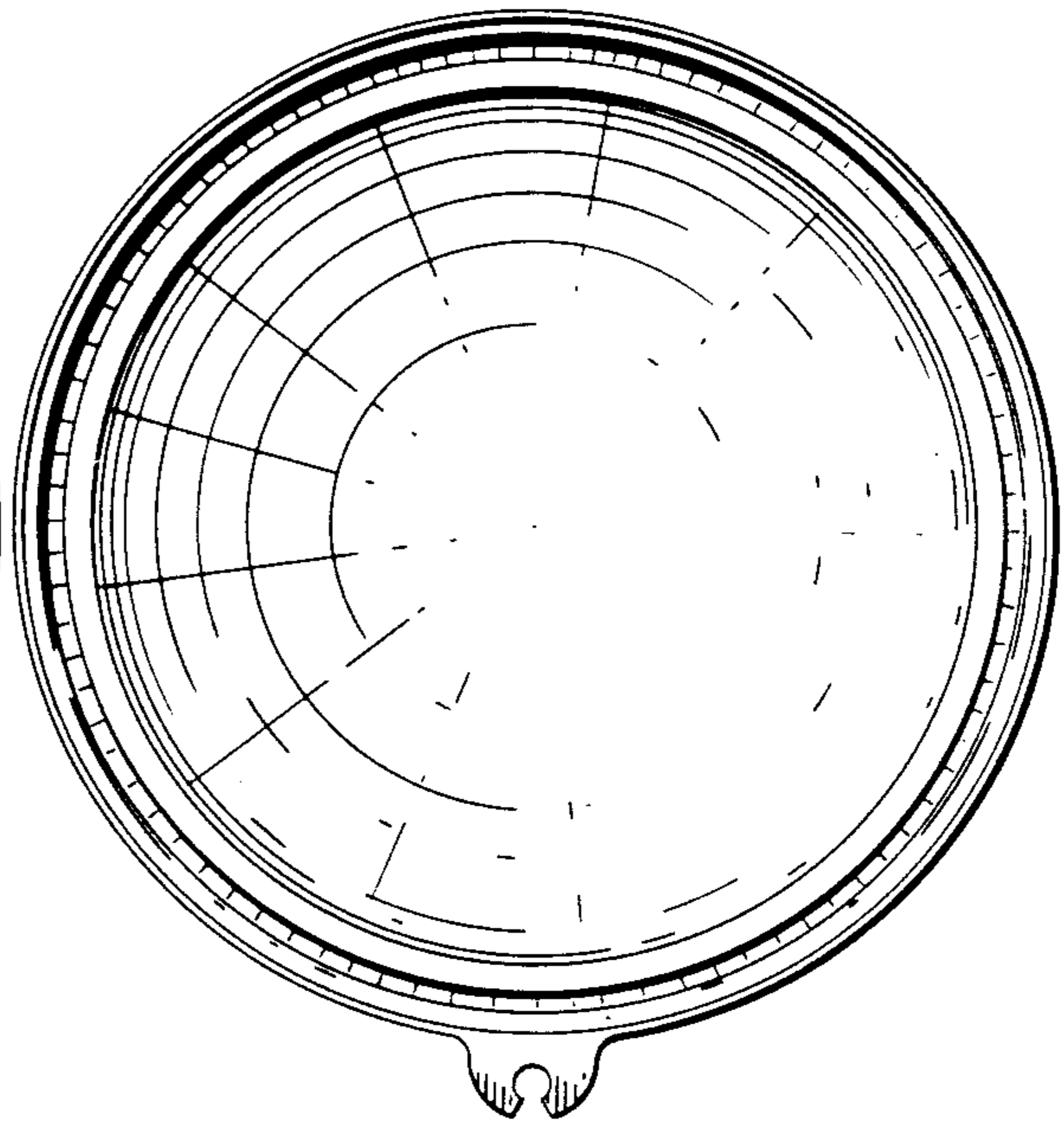


FIG. 4

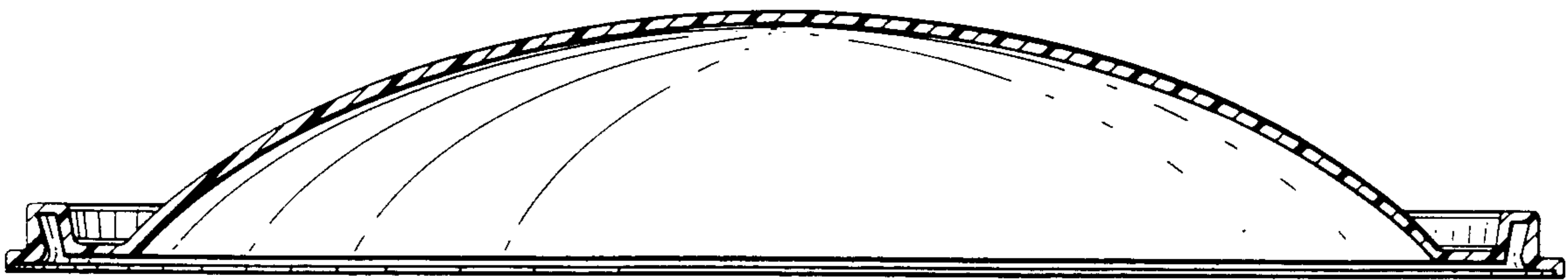


FIG. 5