

[54] CONTAINER OR THE LIKE

[75] Inventor: Rino Conti, Stoughton, Mass.

[73] Assignee: Dart Industries Inc., Los Angeles, Calif.

[\*\*] Term: 14 Years

[21] Appl. No.: 66,904

[22] Filed: Aug. 16, 1979

[51] Int. Cl. .... D07-01

[52] U.S. Cl. .... D7/23; D9/349

[58] Field of Search ..... D7/17, 16, 22, 23, 76; D9/220, 216, 217, 218, 219

[56] References Cited

U.S. PATENT DOCUMENTS

D. 175,753 10/1955 Barnhart ..... D7/17

D. 238,236	12/1975	Montesi .....	D7/17
2,479,765	8/1949	Mower .....	D7/23 X
2,765,832	10/1956	Tupper .....	D7/17 X
3,051,303	8/1962	Daanen et al. ....	D7/22 X

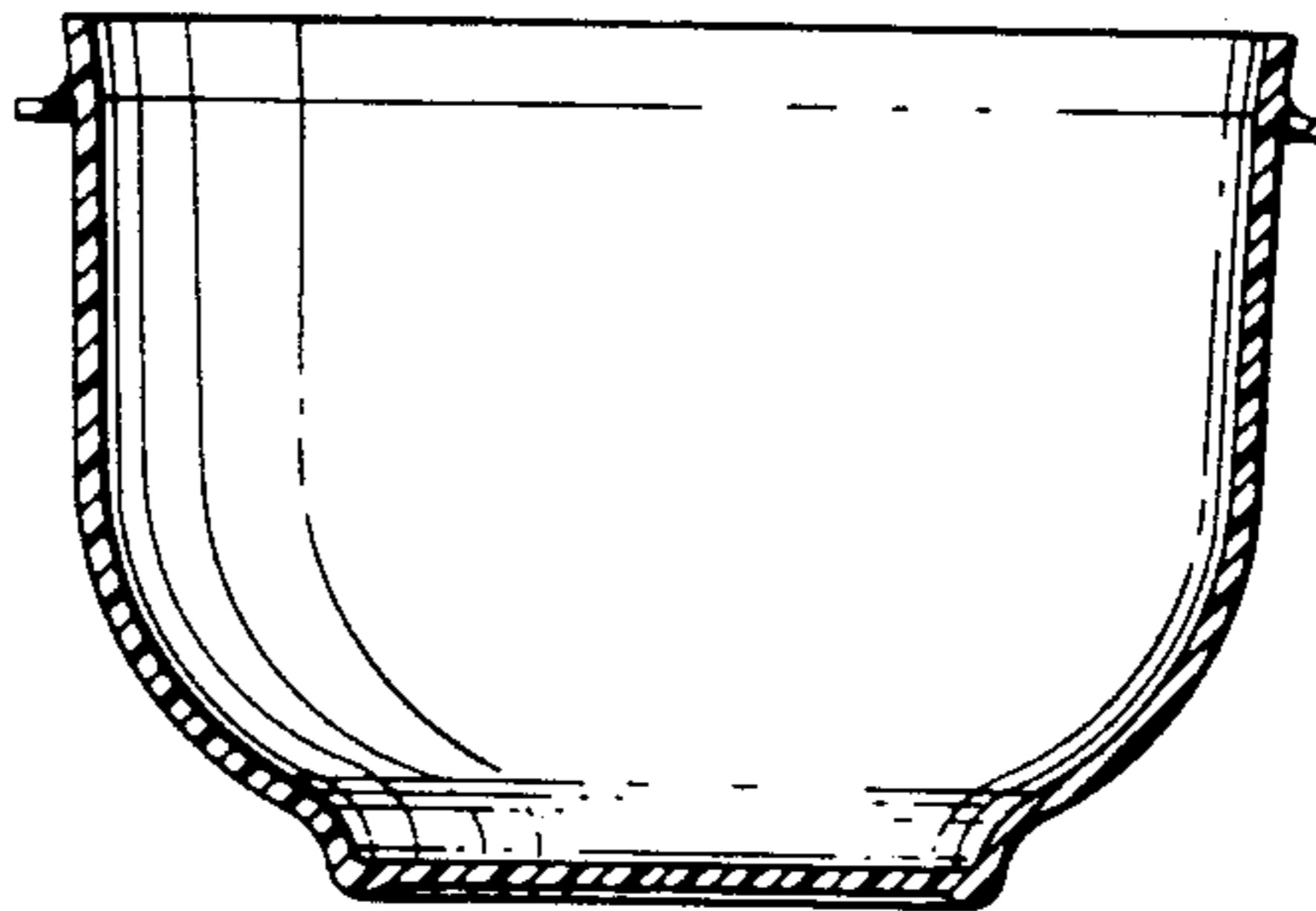
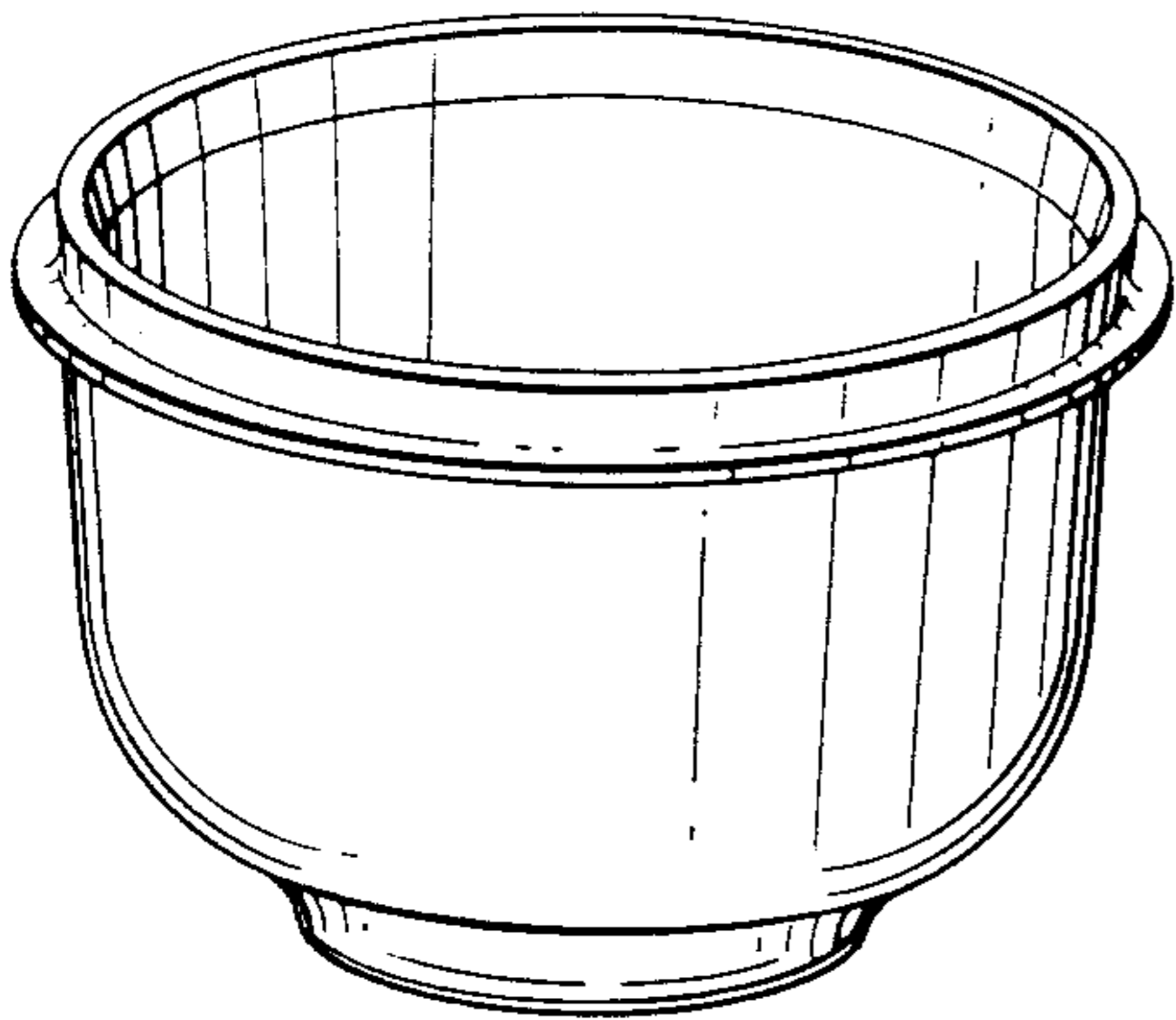
Primary Examiner—Winifred E. Herrmann  
Attorney, Agent, or Firm—Leigh B. Taylor

[57] CLAIM

The ornamental design for a container or the like, substantially as shown.

DESCRIPTION

FIG. 1 is a top perspective view of a container or the like showing my new design;  
FIG. 2 is a side elevational view thereof;  
FIG. 3 is a top plan view thereof;  
FIG. 4 is a bottom plan view thereof; and  
FIG. 5 is a cross-sectional view thereof taken along line 5-5 of FIG. 2.



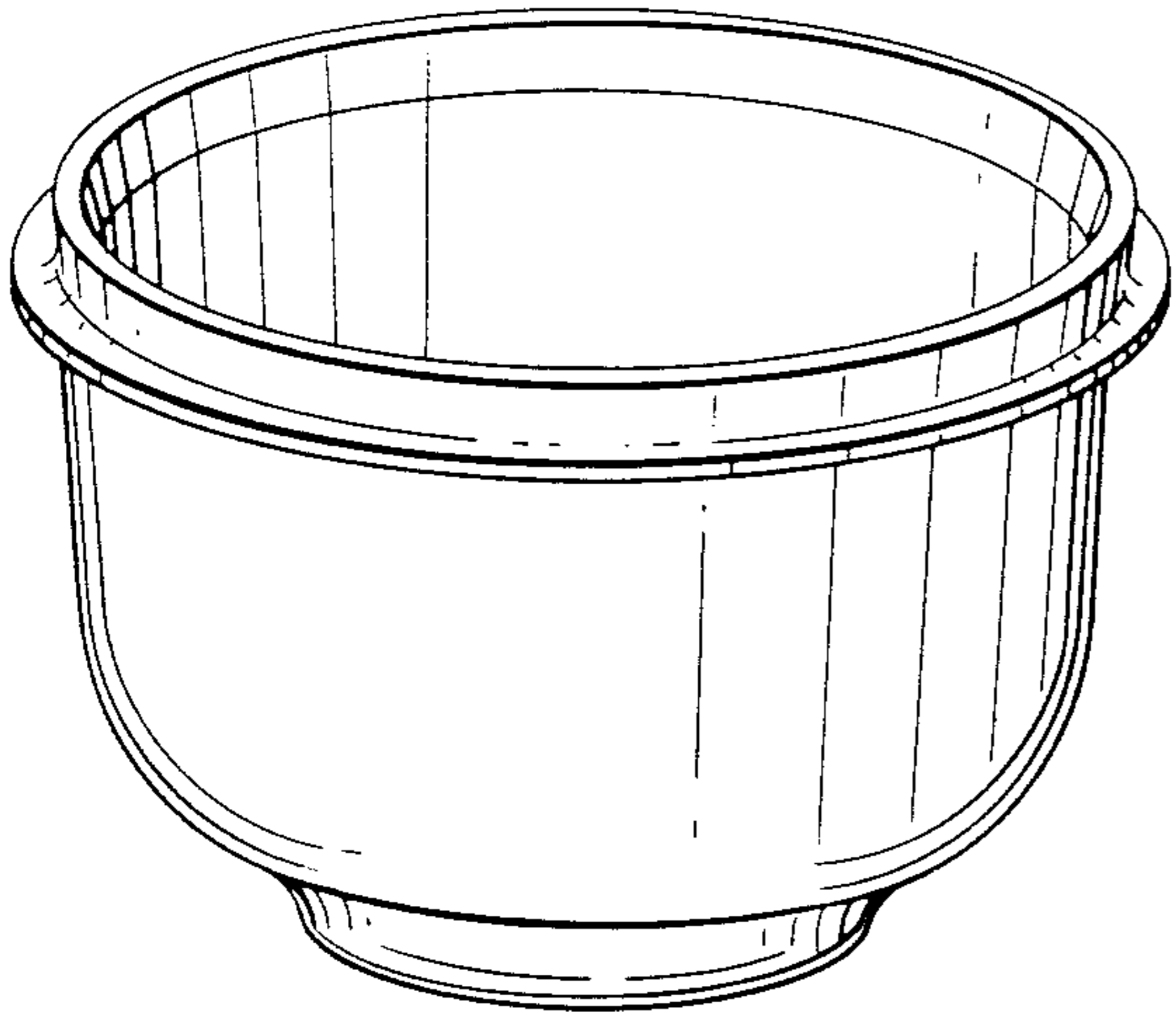


FIG. 1

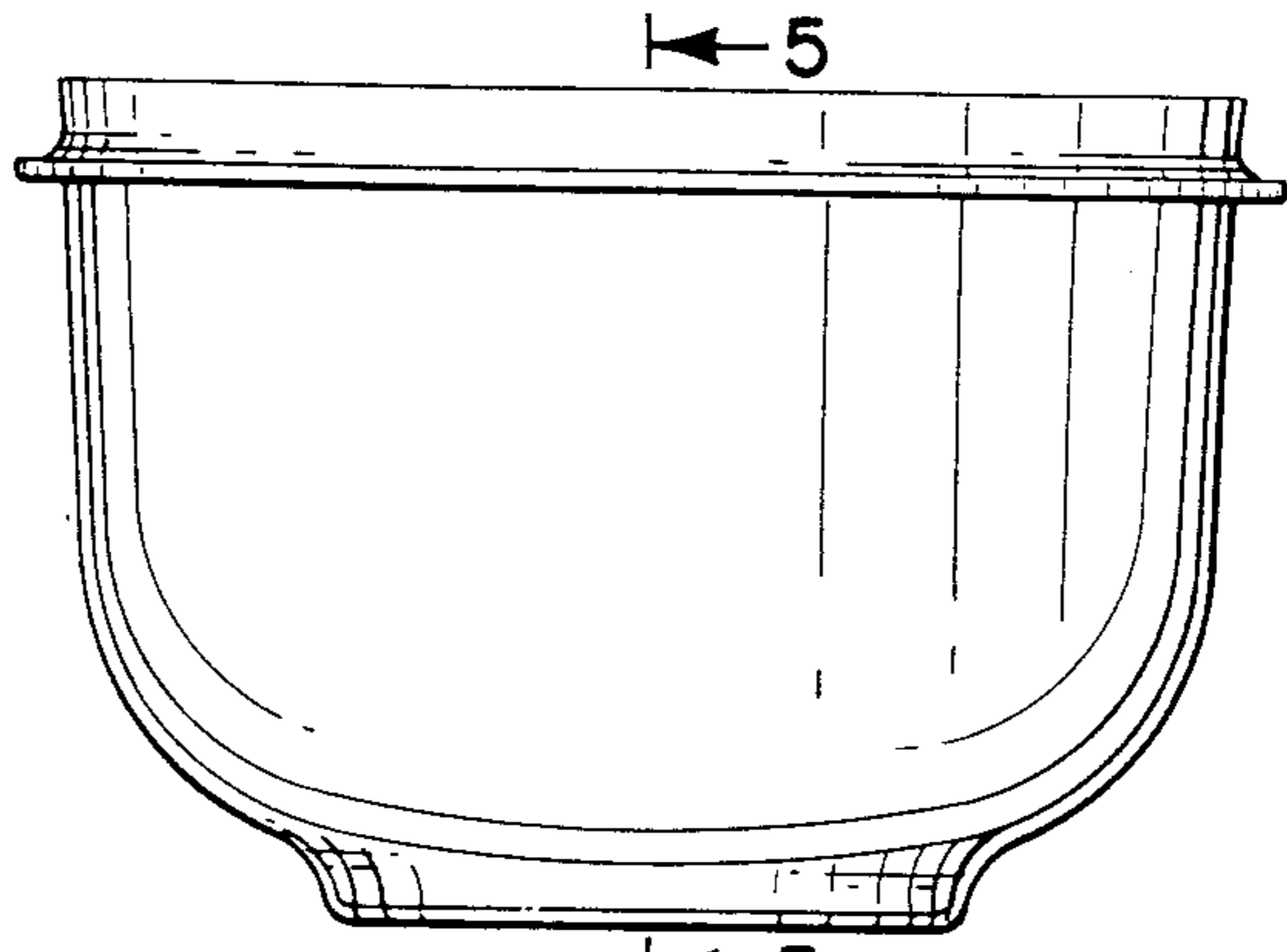


FIG. 2

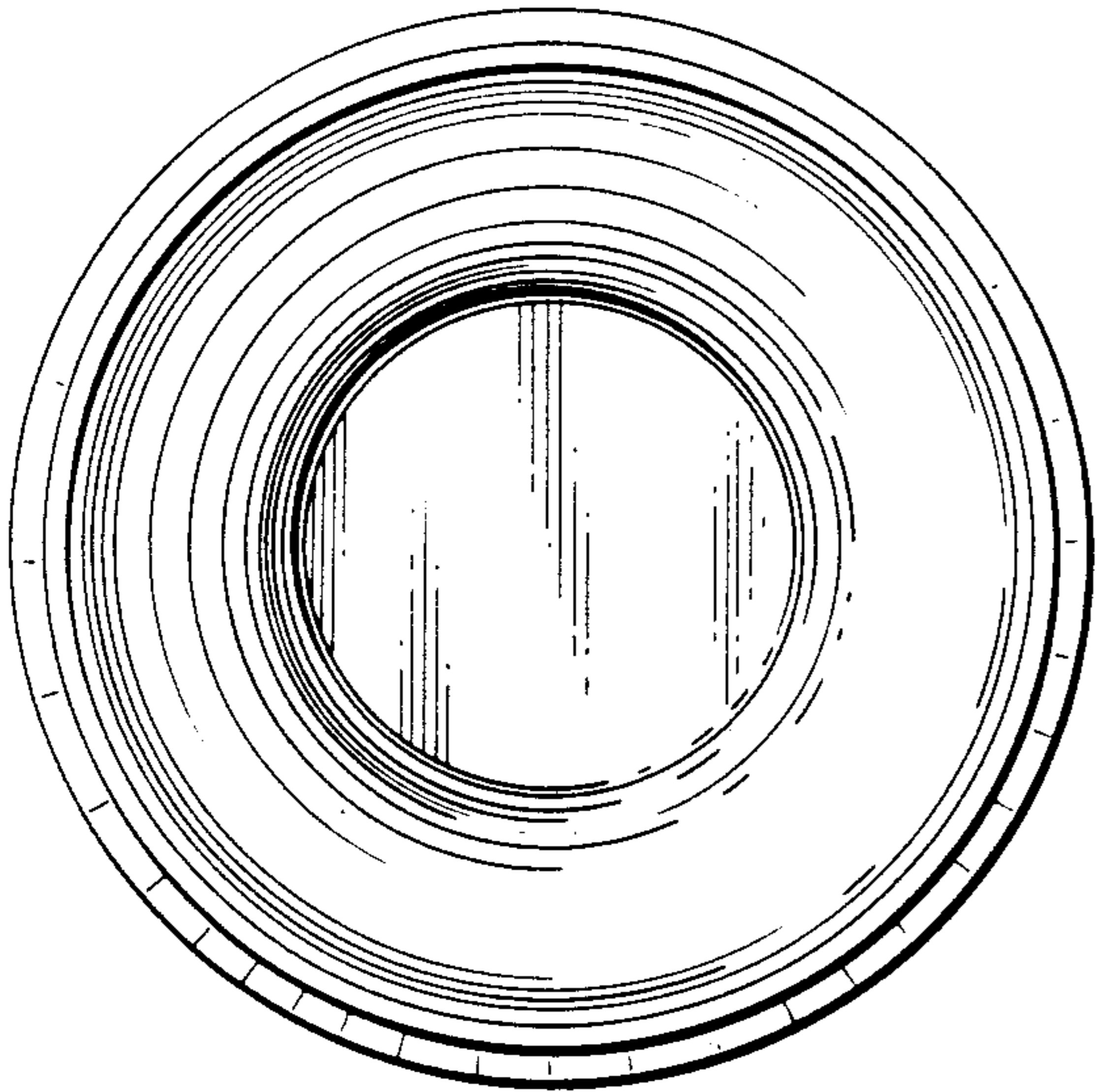


FIG. 3

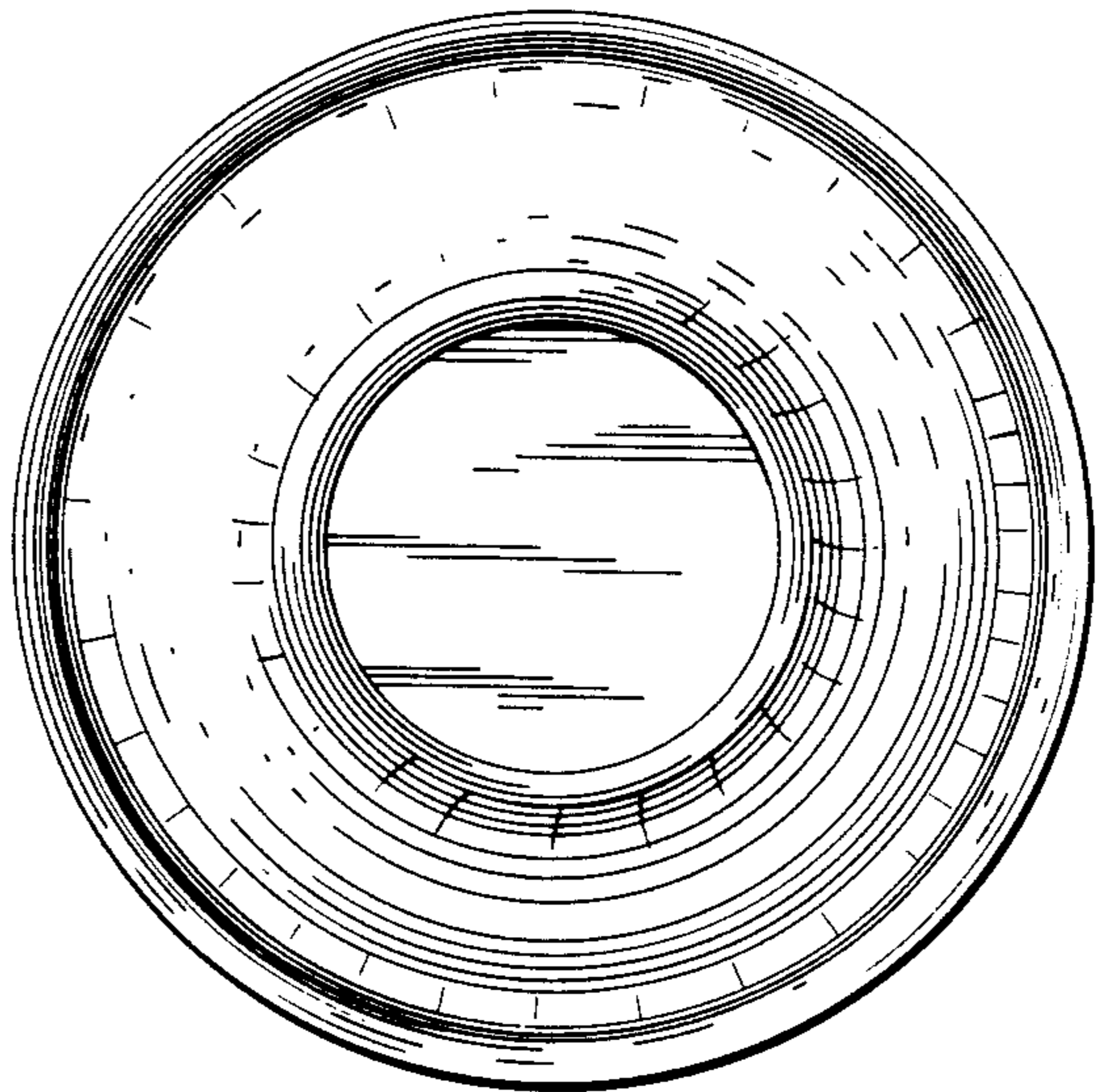


FIG. 4

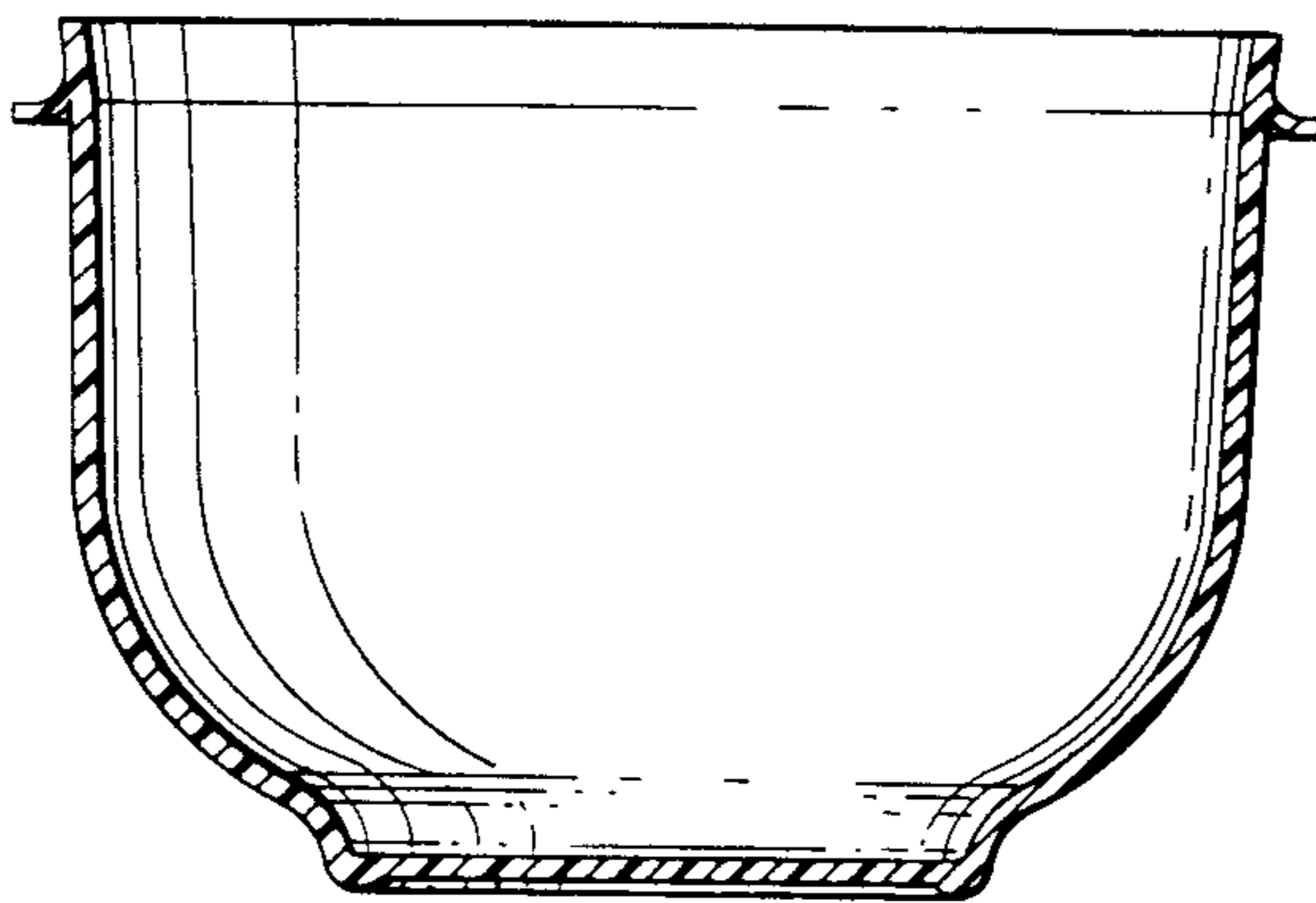


FIG. 5