

[54] VERTICALLY MOUNTED FILE HOLDER

4,162,014 7/1979 Bobrick 211/55

[75] Inventor: Donald B. Rabig, Elizabeth, N.J.

OTHER PUBLICATIONS

[73] Assignee: Borden, Inc., Columbus, Ohio

Industrial Design, 4/1974, p. 42, Wall Mounted Magazine Rack.

[**] Term: 14 Years

Primary Examiner—B. J. Bullock

[21] Appl. No.: 111,813

Attorney, Agent, or Firm—George P. Maskas; Daniel D. Mast

[22] Filed: Jan. 14, 1980

[57] CLAIM

[51] Int. Cl. D6—04

The ornamental design for a vertically mounted file holder, substantially as shown.

[52] U.S. Cl. D6/130; D6/184

[58] Field of Search D6/114, 130, 131, 191, D6/184; D19/90; 211/10, 13, 50, 55, 87, 88, 90

DESCRIPTION

[56] References Cited

FIG. 1 is a reduced perspective view of a vertically mounted file holder embodying my new design;

U.S. PATENT DOCUMENTS

FIG. 2 is a front view thereof;

D. 231,883 6/1974 Kramer D6/130

FIG. 3 is a top view thereof;

1,452,816 4/1923 Reimer 211/50

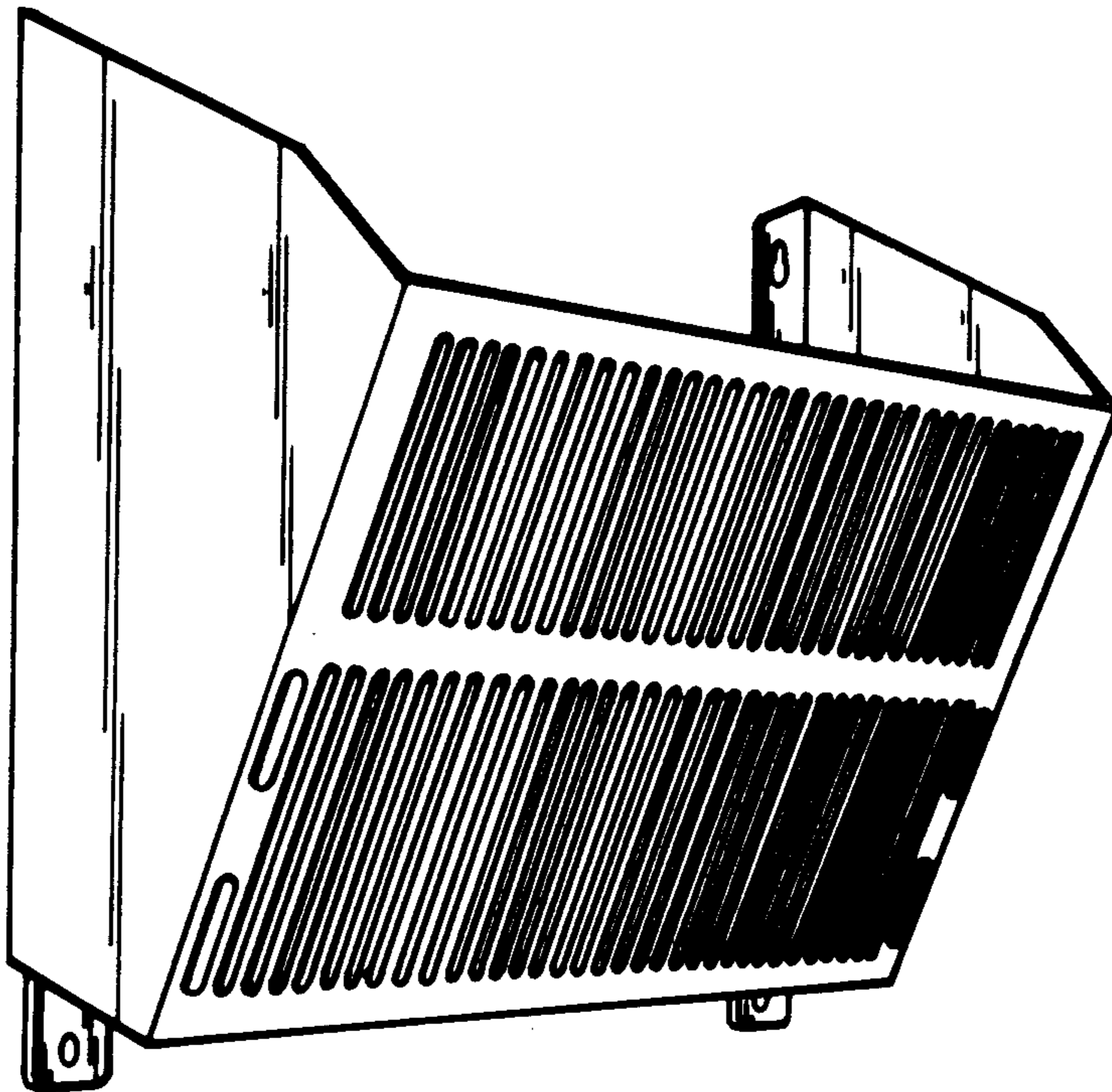
FIG. 4 is a rear view thereof;

2,807,371 9/1957 Johnson 211/88

FIG. 5 is a side view thereof;

3,515,283 6/1970 Poteat 211/55

FIG. 6 is a bottom view thereof.



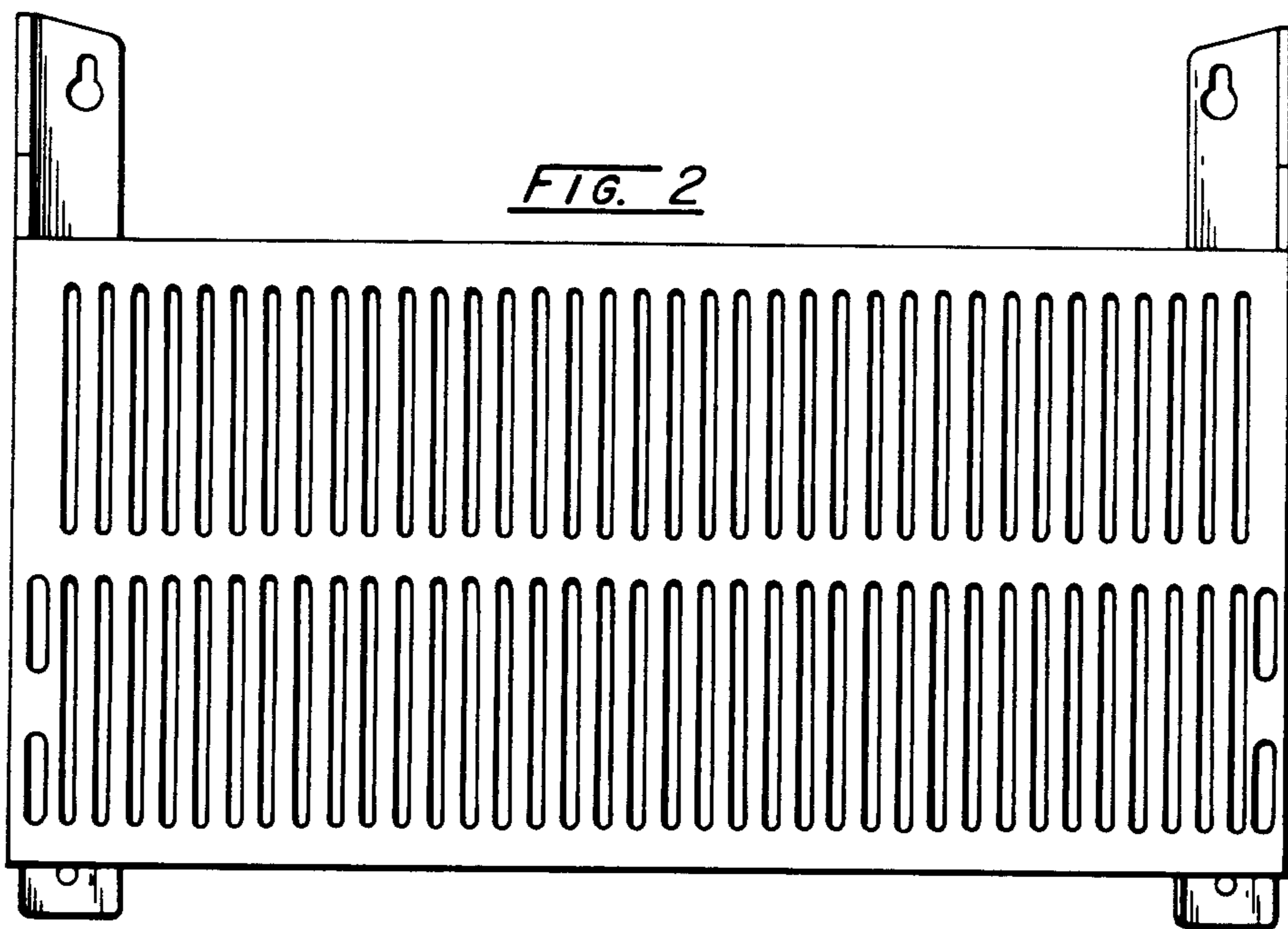
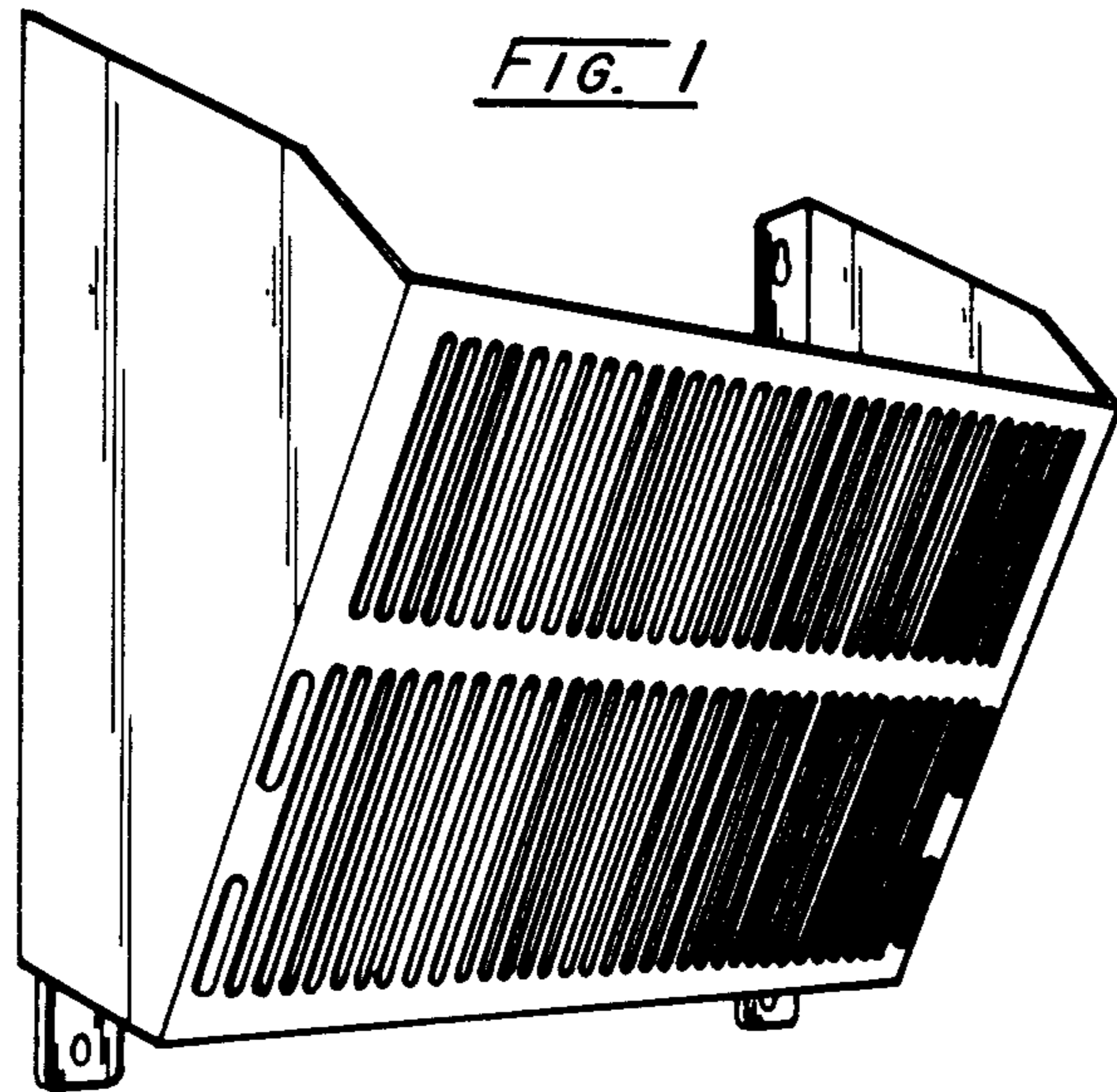


FIG. 3

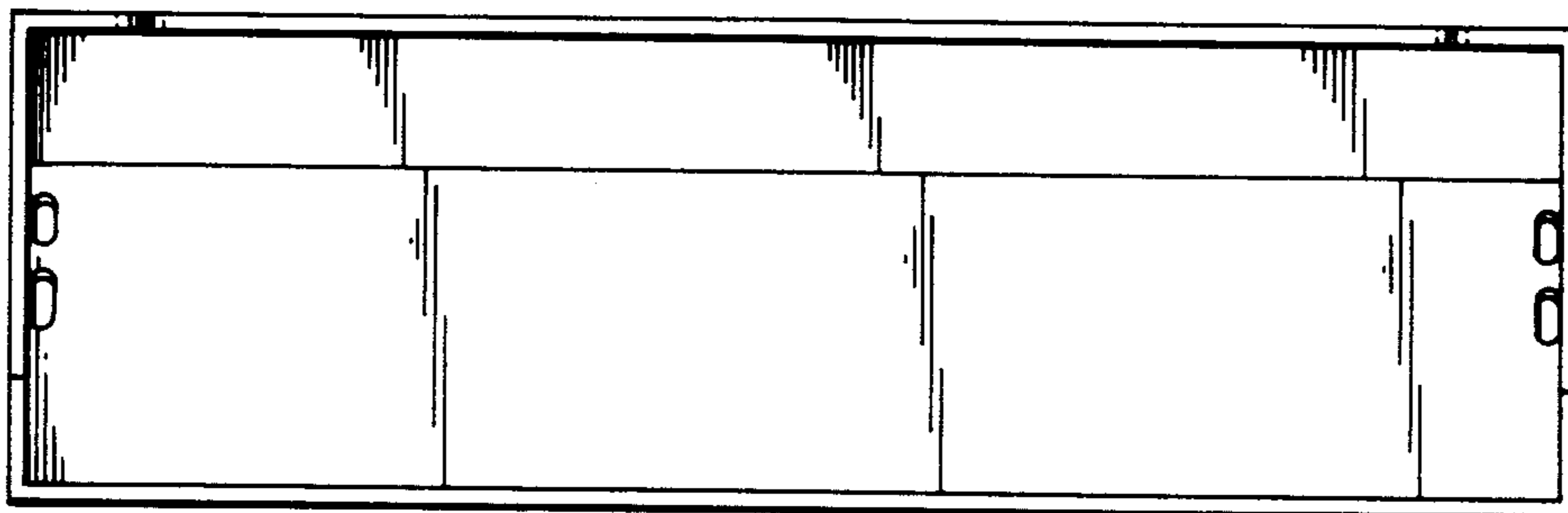


FIG. 4

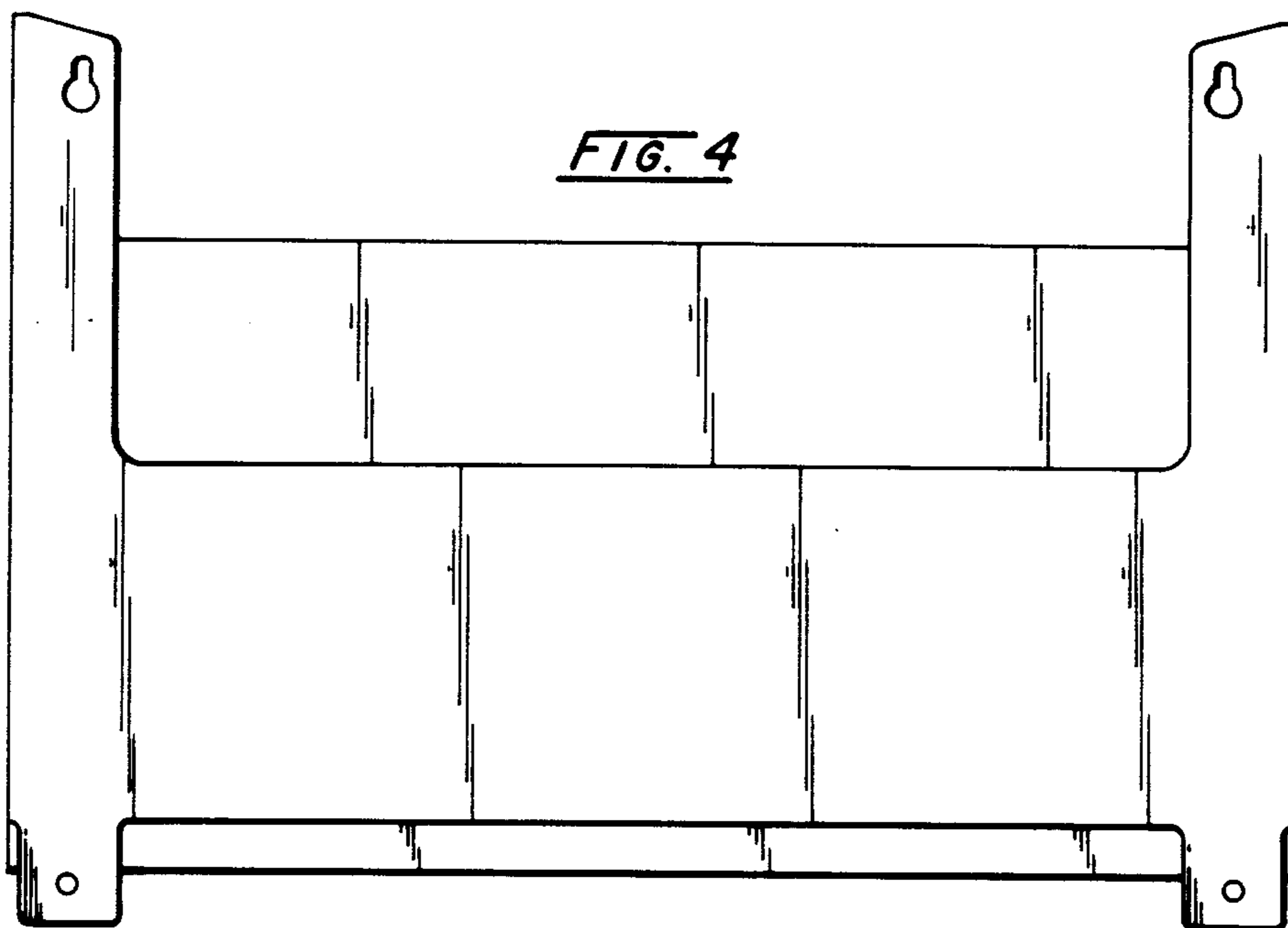




FIG. 5

FIG. 6

