

[54] COMBINED SEAT AND WORK BENCH FOR HOBBYISTS

[76] Inventor: Warren E. Shelton, 15733 Pearl Rd., Cleveland, Ohio 44136

[\*\*] Term: 14 Years

[21] Appl. No.: 938,035

[22] Filed: Aug. 30, 1978

[51] Int. Cl. .... D6-05

[52] U.S. Cl. .... D6/17; D6/42

[58] Field of Search ..... D6/17, 42; 297/135, 297/195

[56] References Cited

U.S. PATENT DOCUMENTS

D. 140,281 2/1945 Weller et al. .... D6/17

D. 175,016 6/1955 Cote ..... D6/17  
D. 182,061 2/1958 Cote ..... D6/17  
D. 207,959 6/1967 Gervais ..... D6/17  
D. 209,048 10/1967 Schafer et al. .... D6/17

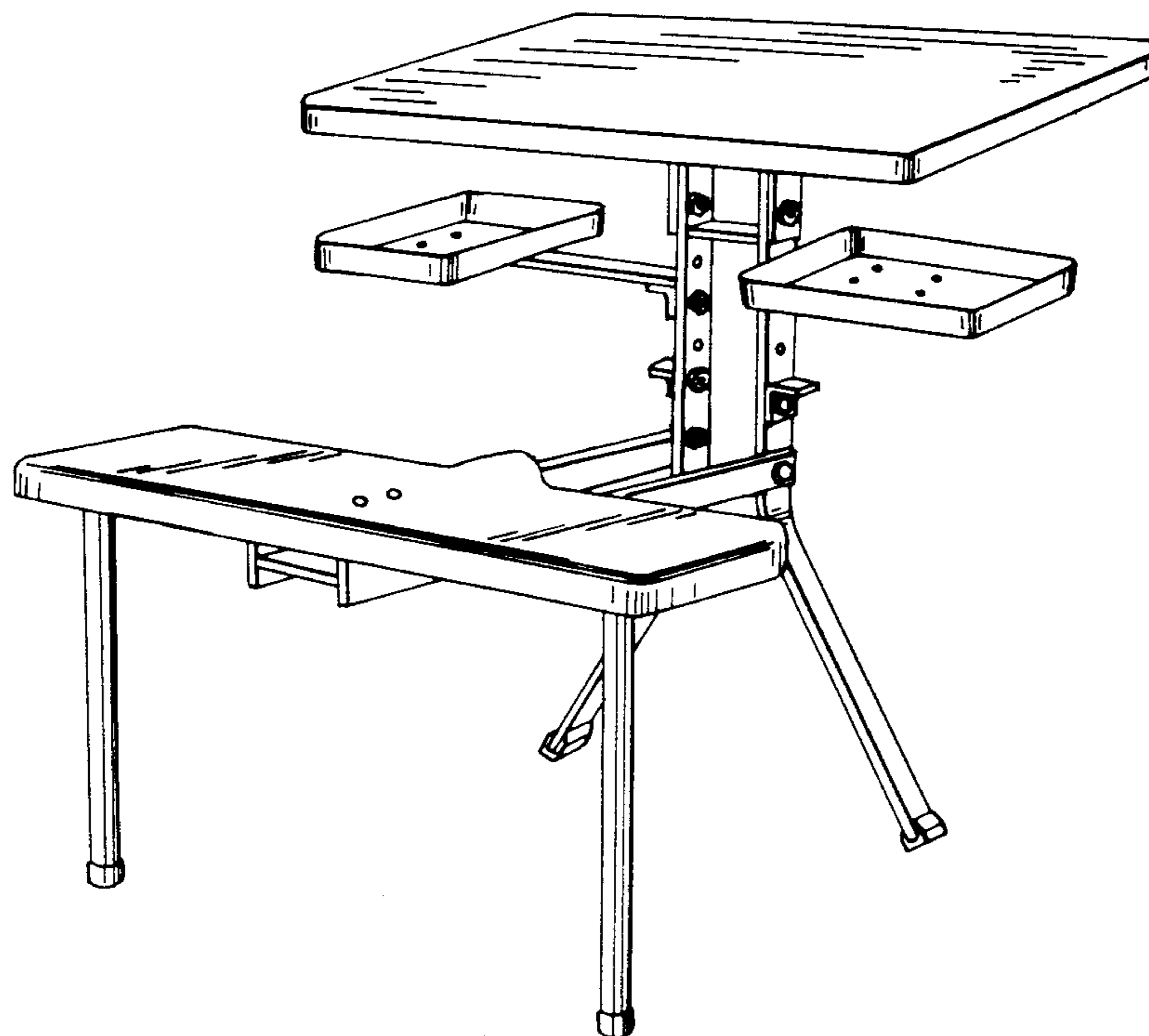
Primary Examiner—Bruce W. Dunkins

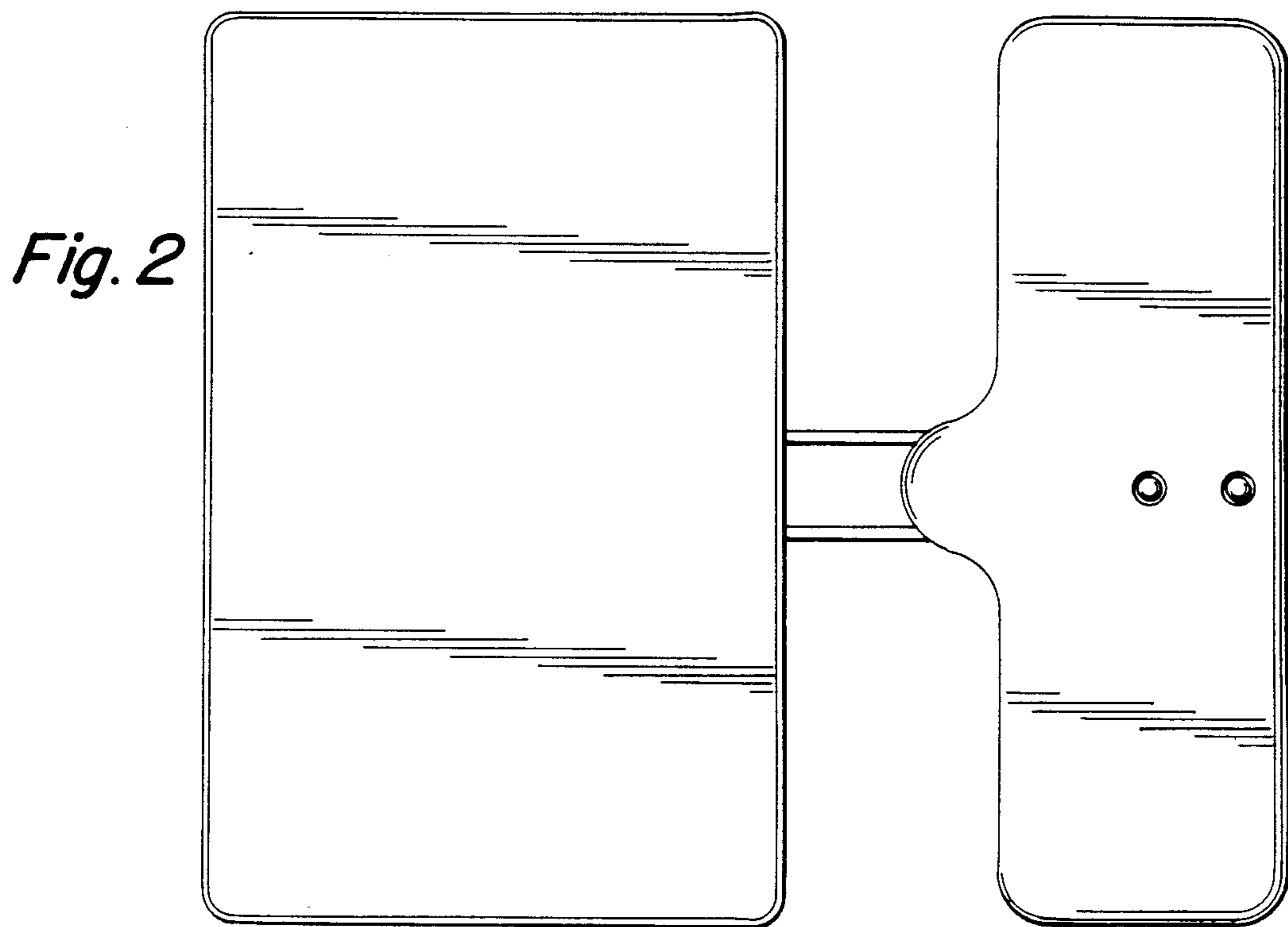
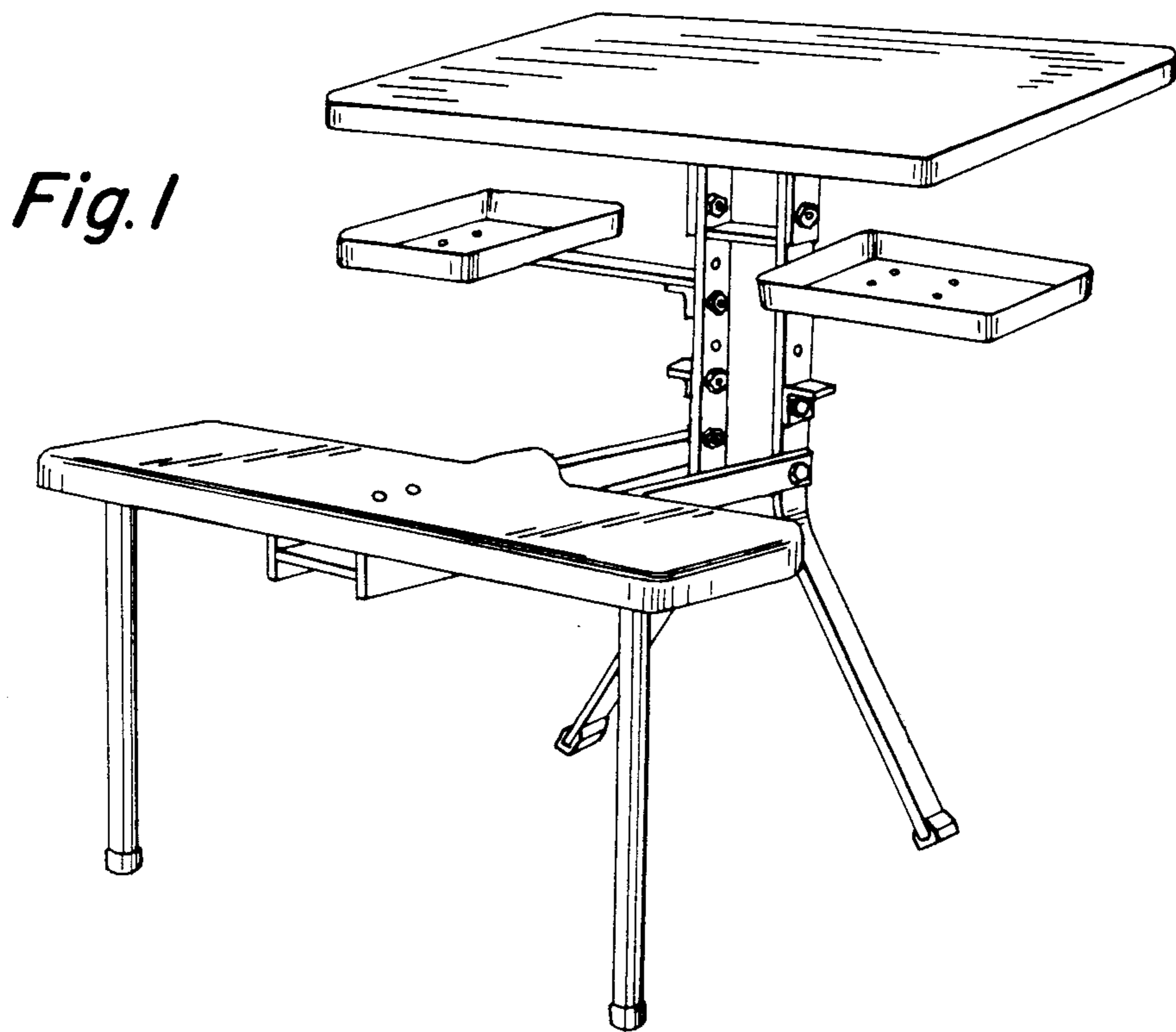
[57] CLAIM

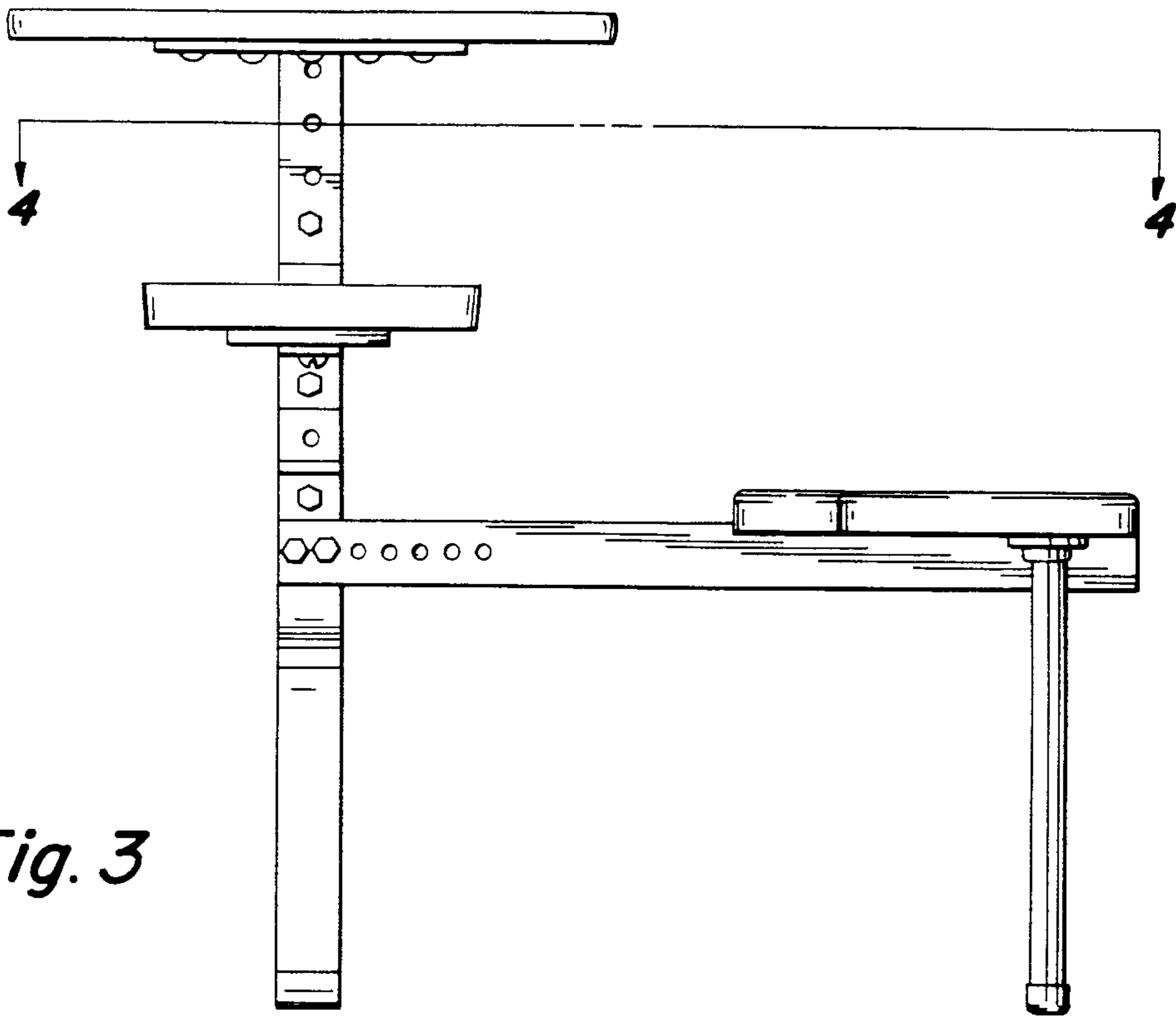
The ornamental design for a combined seat and work bench for hobbyists, substantially as shown.

DESCRIPTION

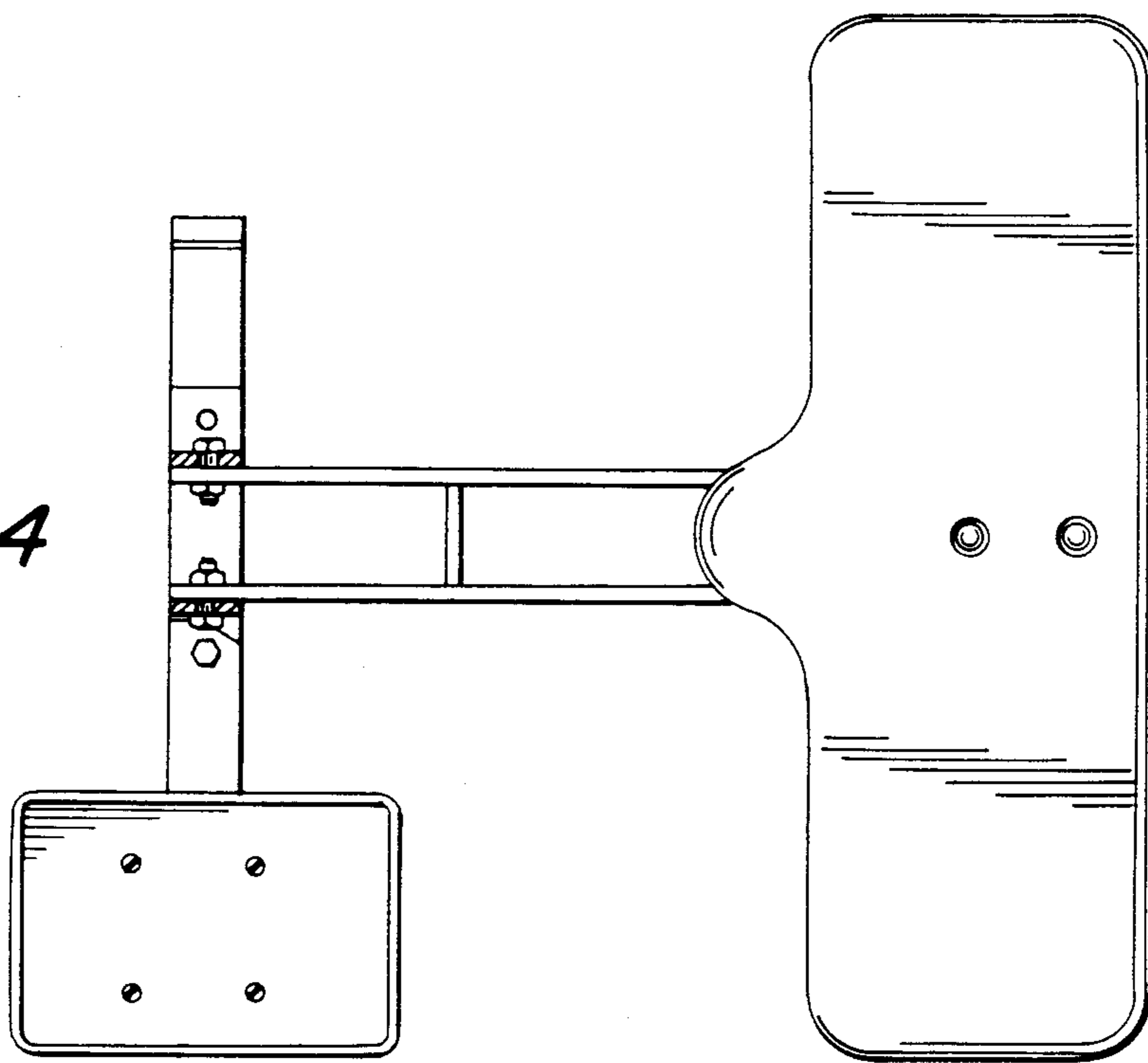
FIG. 1 is a perspective view of a combined seat and work bench for hobbyists, showing my new design; FIG. 2 is a top plan view; FIG. 3 is a side elevational view; FIG. 4 is a cross-sectional view, taken on the line 4-4 of FIG. 3, but with one of the trays omitted; FIG. 5 is a rear elevational view; and FIG. 6 is a bottom plan view thereof.



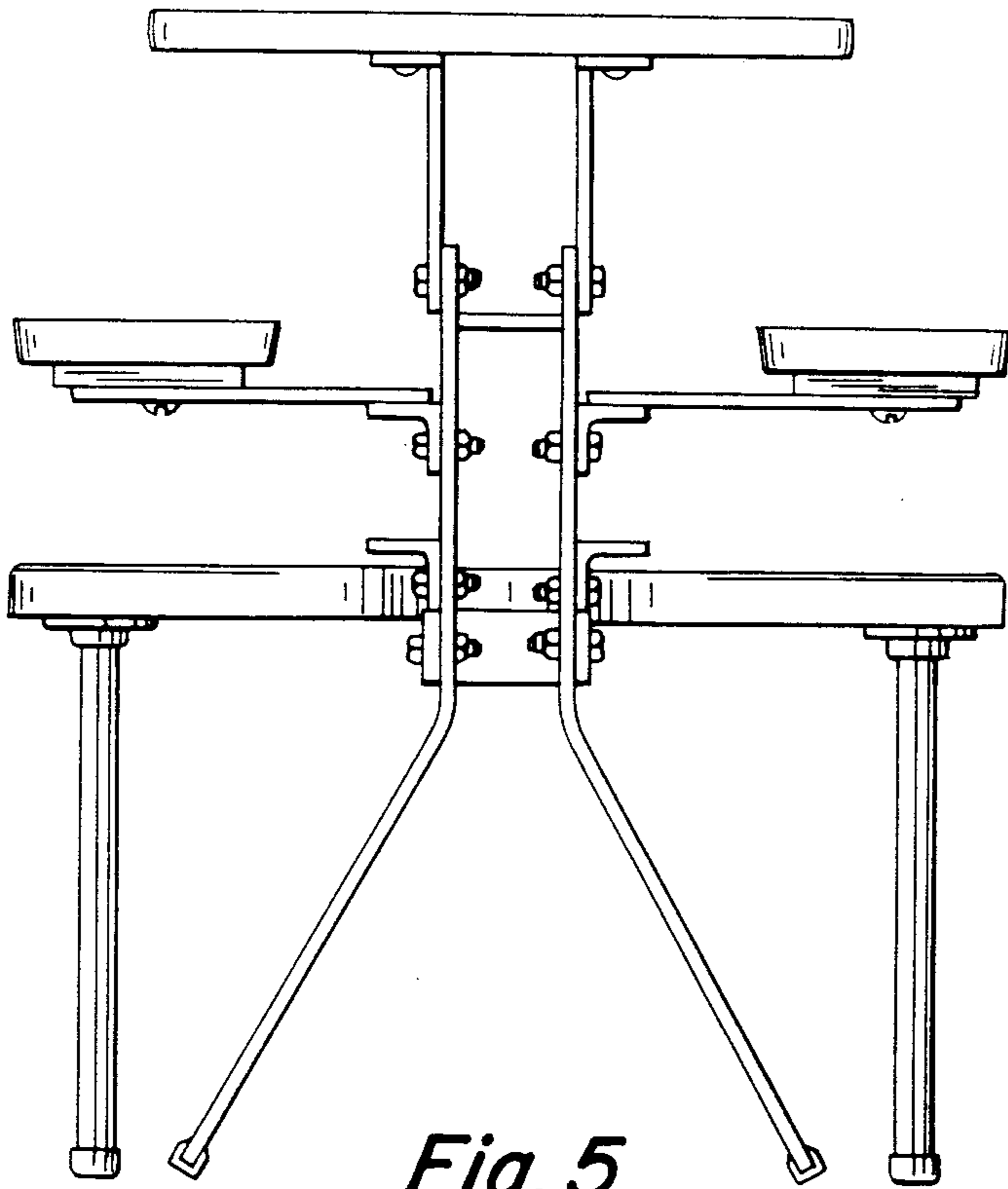




*Fig. 3*



*Fig. 4*



*Fig. 5*

*Fig. 6*

