

- [54] **AUTO ACCESSORIES TRAY**
- [75] Inventor: **Dwight N. Wooters, La Grange, Ga.**
- [73] Assignee: **Rubbermaid Specialty Products Inc., LaGrange, Ga.**
- [**] Term: **14 Years**
- [21] Appl. No.: **28,498**
- [22] Filed: **Apr. 9, 1979**
- [51] Int. Cl. **D03—99; D07—99**
- [52] U.S. Cl. **D3/40; D7/38**
- [58] Field of Search **D7/37, 38, 71; D12/155; D3/30, 40, 67, 68, 69**

D. 239,574 4/1976 Shanklin D3/40
 3,561,589 2/1971 Larkin, Jr. D12/155 X

Primary Examiner—Winifred E. Herrmann
Attorney, Agent, or Firm—E. R. Hamilton

[57] **CLAIM**

The ornamental design for an auto accessories tray, as shown and described.

DESCRIPTION

FIG. 1 is a front perspective view of an auto accessories tray embodying my new design.

FIG. 2 is an enlarged rear elevational view.

FIG. 3 is an end elevational view on line 3—3 of FIG. 2.

FIG. 4 is a cross-sectional view on line 4—4 of FIG. 6.

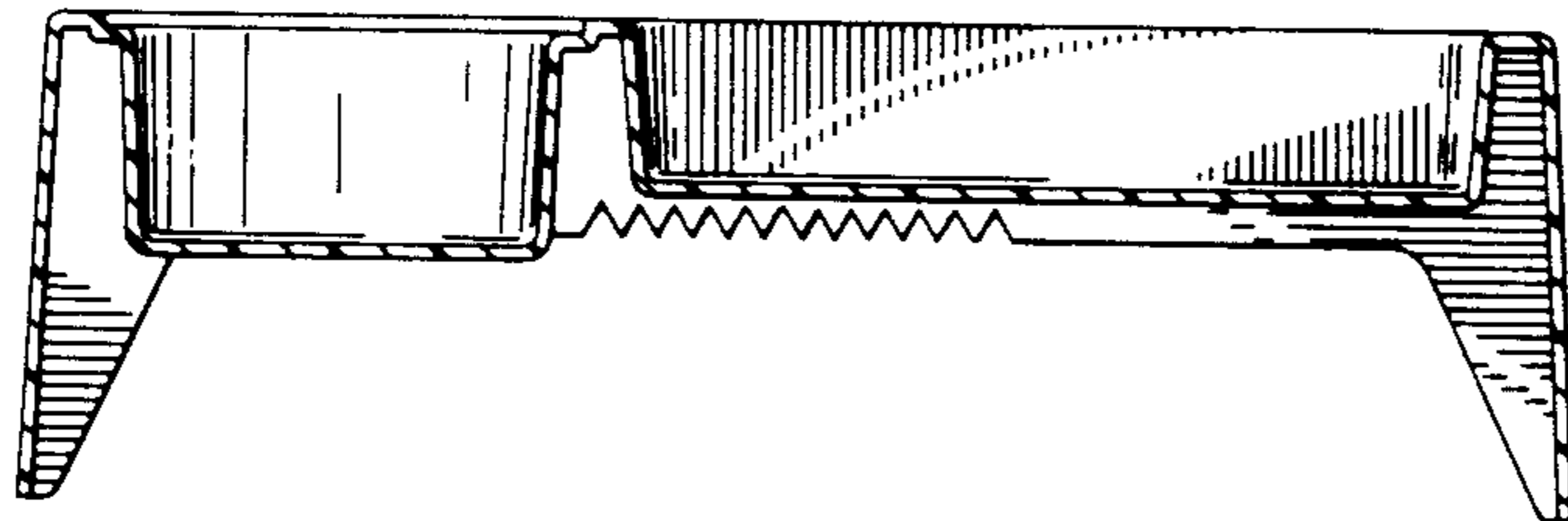
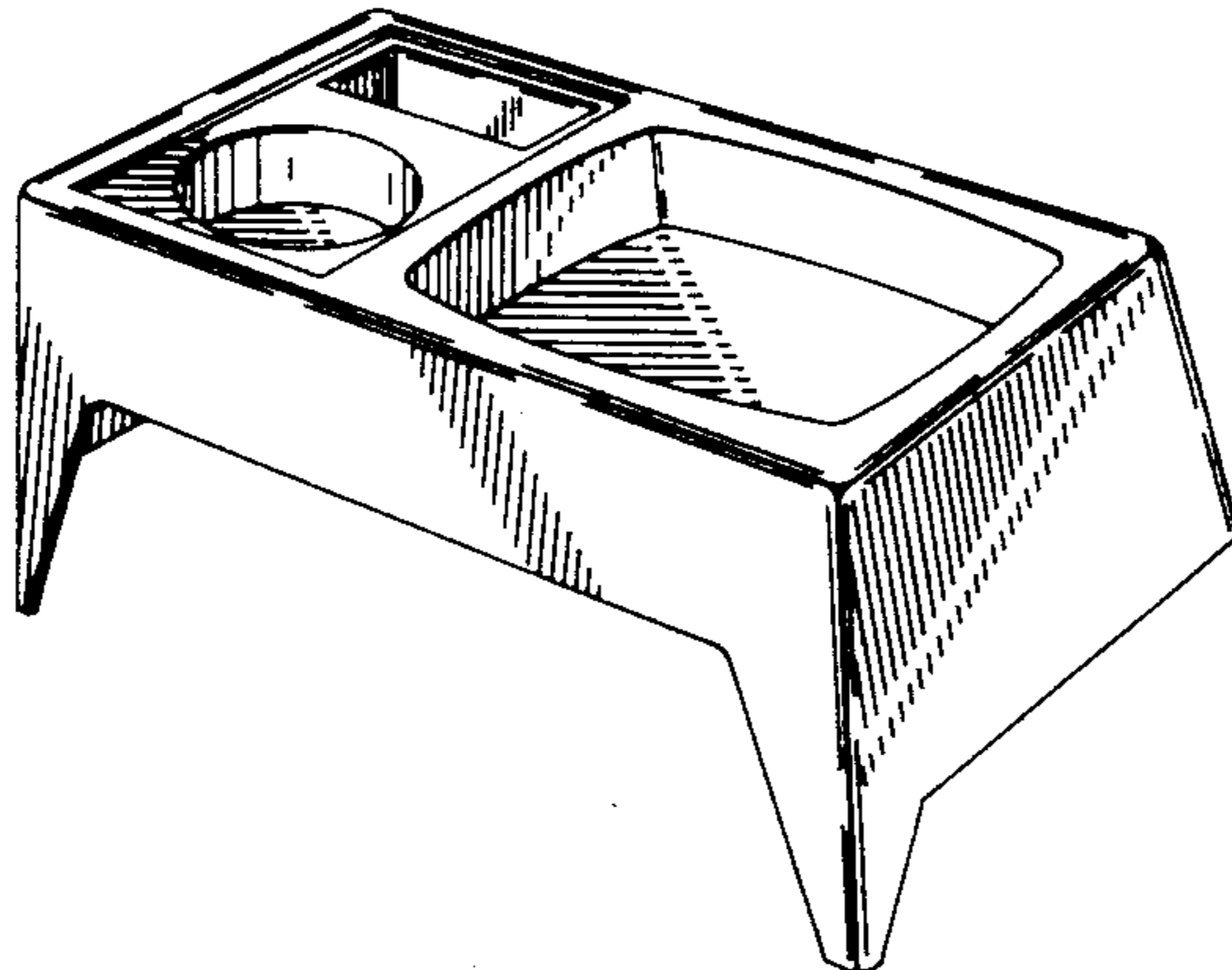
FIG. 5 is a longitudinal sectional view on line 5—5 of FIG. 6.

FIG. 6 is an enlarged bottom plan view.

The end opposite that shown in FIG. 3 is a mirror image thereof.

[56] **References Cited**
U.S. PATENT DOCUMENTS

D. 206,113	11/1966	Basinai	D3/69
D. 207,062	2/1967	Blair	D7/38
D. 208,217	8/1967	Castloo	D3/40
D. 214,075	5/1969	Pregont	D7/38



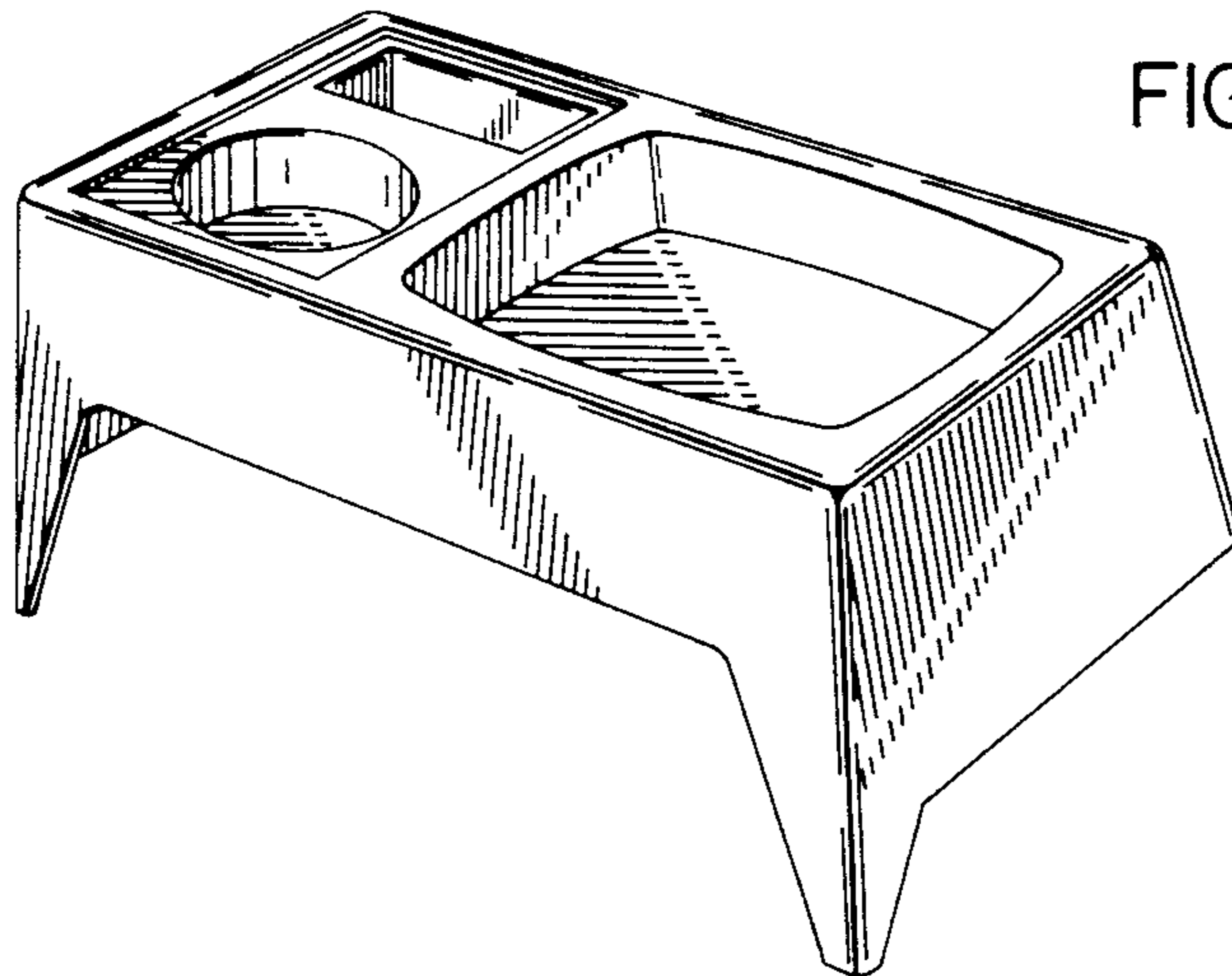


FIG. 1

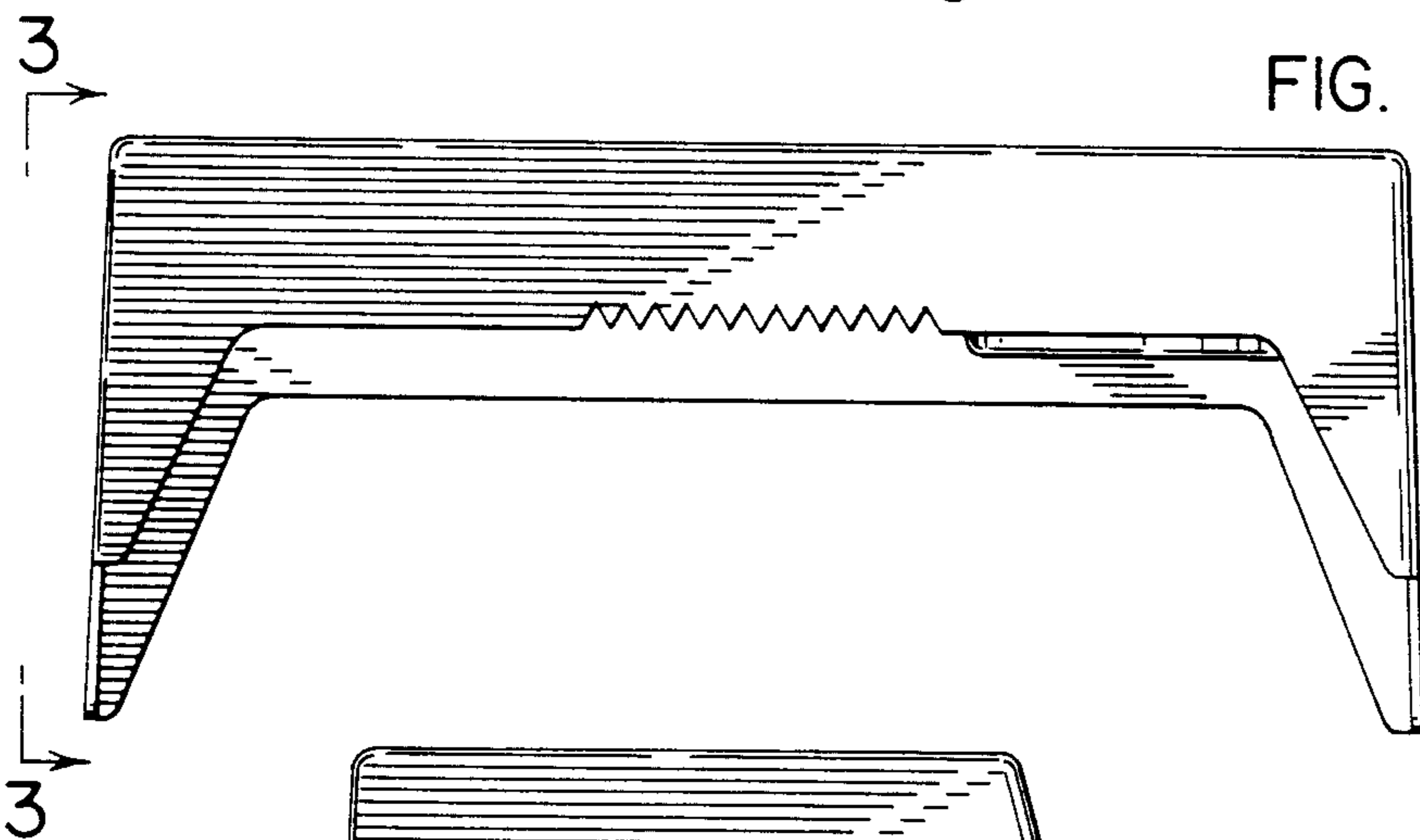


FIG. 2

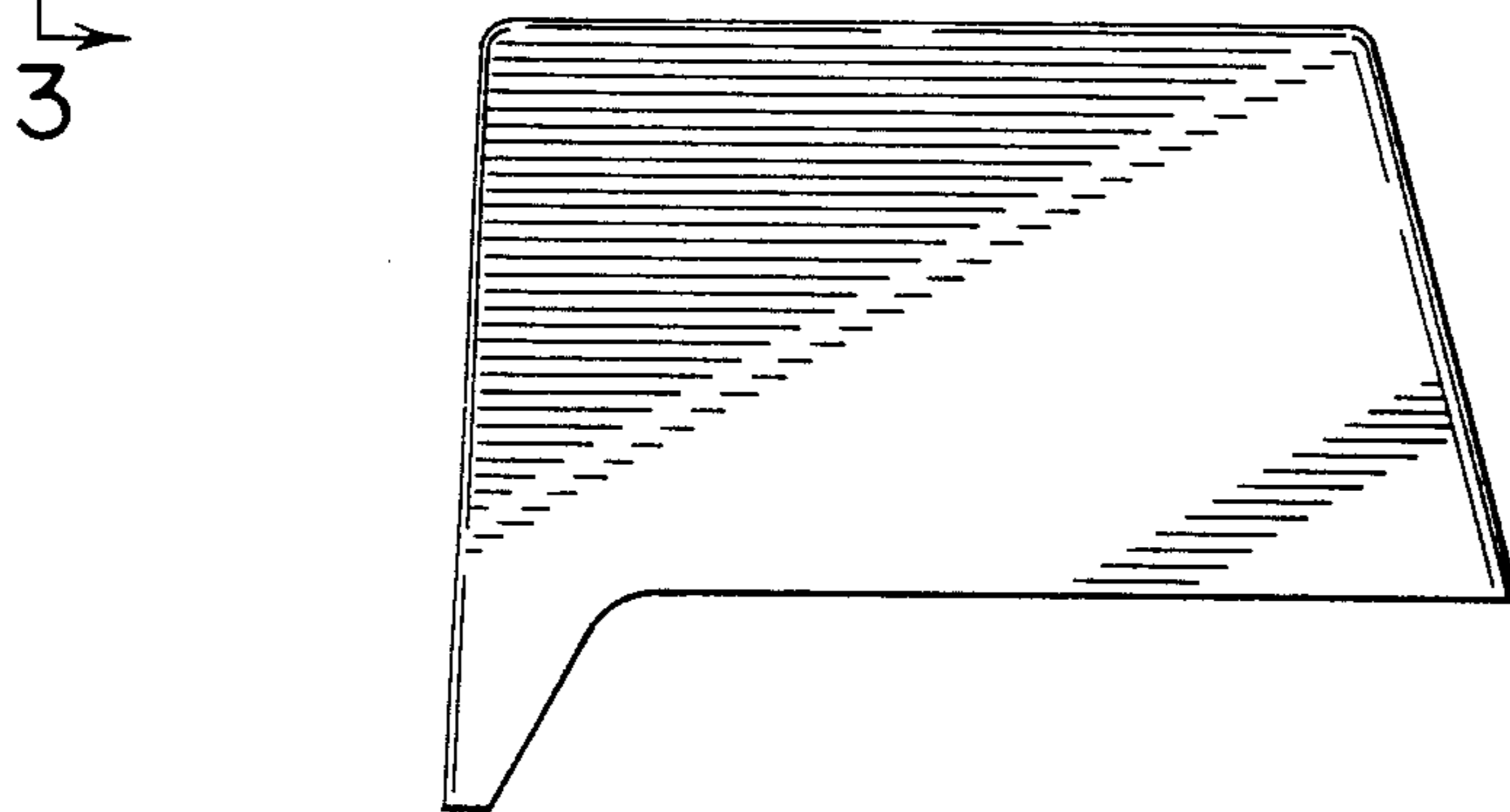


FIG. 3

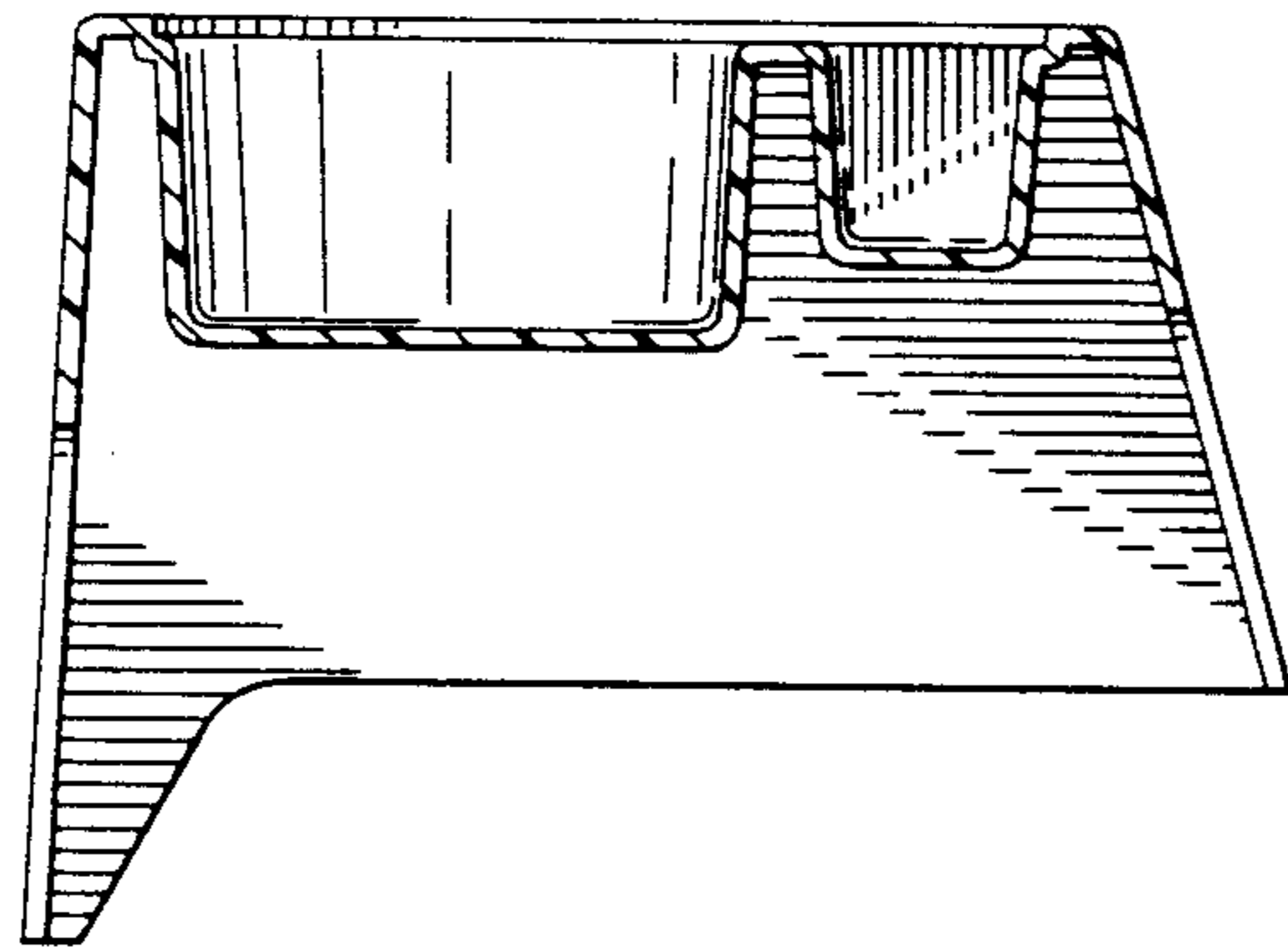


FIG. 4

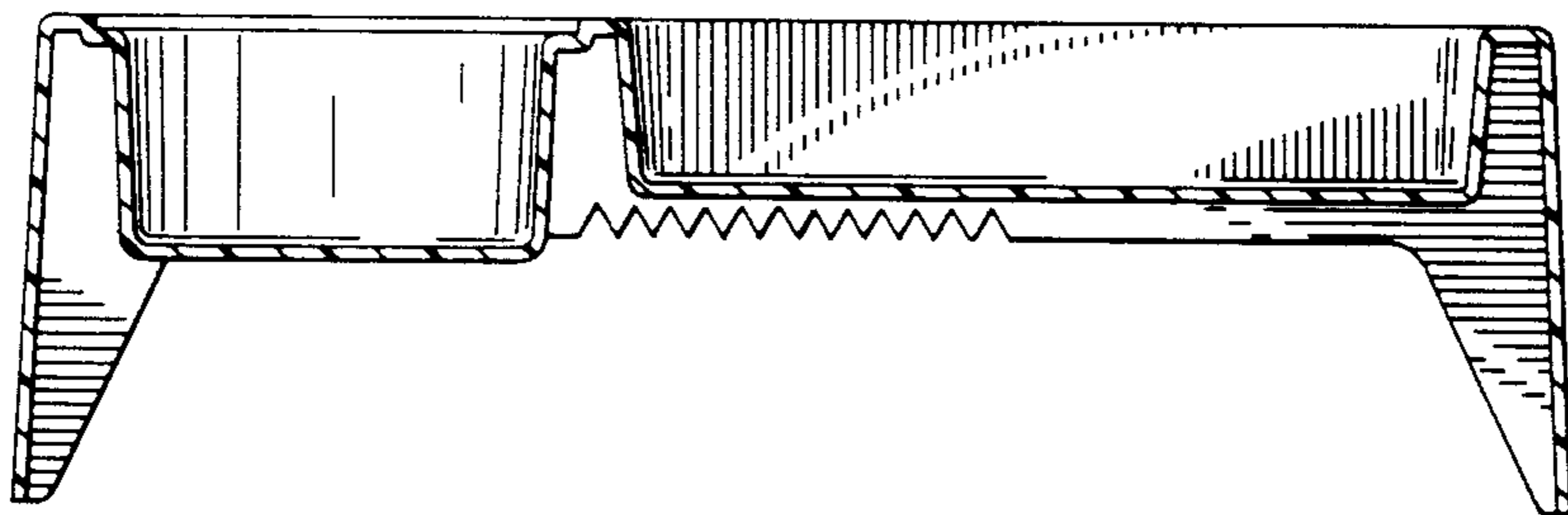


FIG. 5

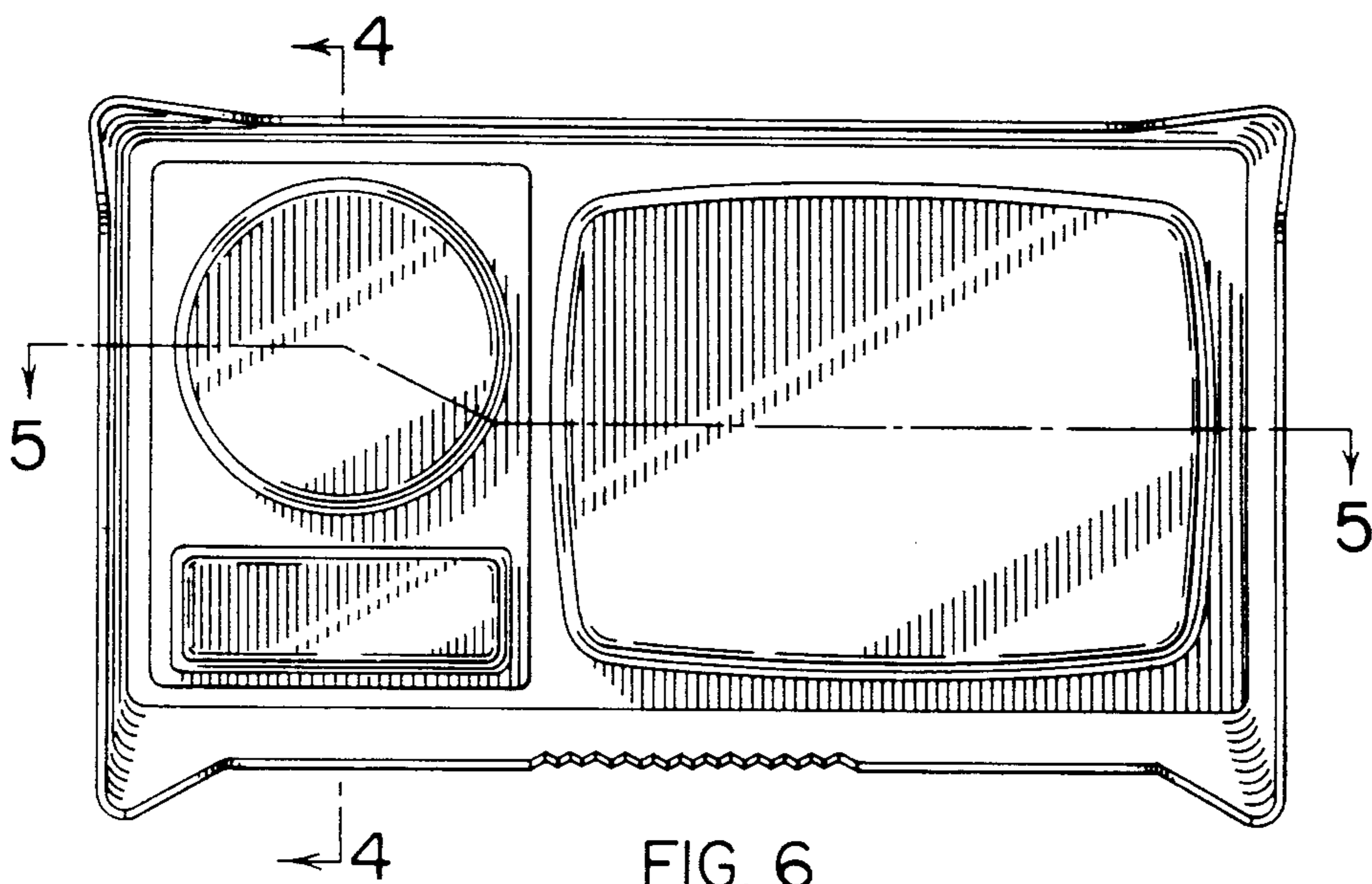


FIG. 6