

[54] **PORTABLE ANIMAL BLOW DRYER**

[76] Inventor: **Edgar L. Hamm, Jr.**, Rte. 4,
 Frederick, Okla. 73542

[**] Term: **14 Years**

[21] Appl. No.: **916,720**

[22] Filed: **Jun. 19, 1978**

[51] Int. Cl. **D30-99**

[52] U.S. Cl. **D30/40; D28/12**

[58] Field of Search **D30/19-99;**
D28/12, 13; 119/17, 19, 160; 219/369, 370;
34/97, 243 R

[56] **References Cited**

U.S. PATENT DOCUMENTS

D. 96,197	7/1935	Morse	D28/12
D. 244,712	6/1977	Houston	D30/40
778,888	1/1905	Peter	34/97
2,139,001	12/1938	Cole	34/97
2,353,247	7/1944	Kuettel	219/369 X
3,145,691	8/1964	Yates	119/83
3,418,452	12/1968	Grabner	219/370

3,962,993 6/1976 Dattilo 119/19

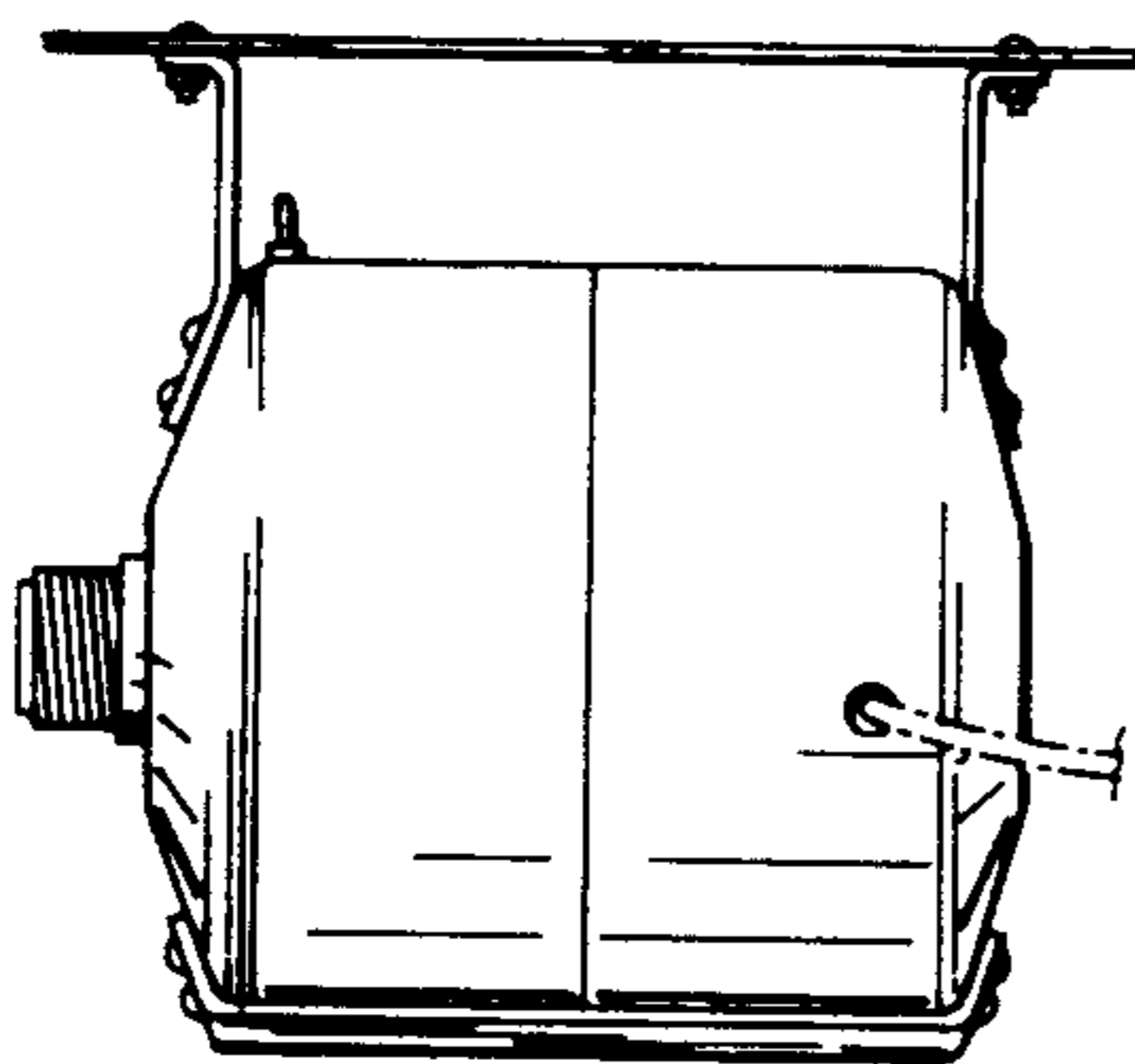
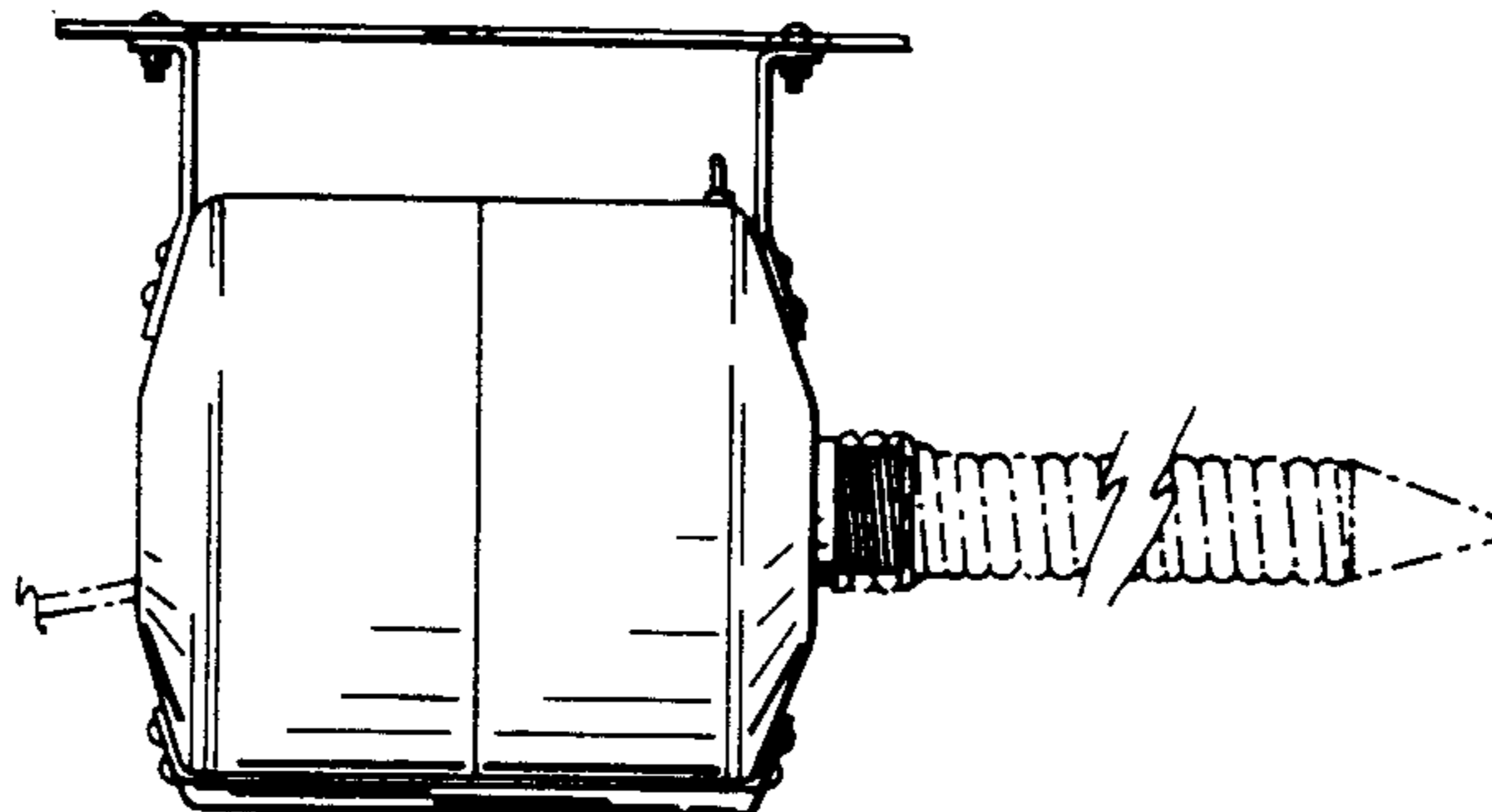
Primary Examiner—James R. Largen
Attorney, Agent, or Firm—Bill D. McCarthy

[57] **CLAIM**

The ornamental design for a portable animal blow dryer, as shown and described.

DESCRIPTION

FIG. 1 is an elevational view taken from one side of a portable animal blow dryer showing my new design; FIG. 2 is an elevational view taken from the side opposite that shown in FIG. 1; FIG. 3 is an elevational view taken from one end thereof; FIG. 4 is an elevational view taken from the end opposite that shown in FIG. 3; FIG. 5 is a top plan view thereof; and FIG. 6 is a bottom plan view thereof. The broken line representation of a part of an electric cord in FIGS. 1 through 6 and the fragmentary broken line showing of an air directing hose in FIG. 1 is for purposes of illustration only.



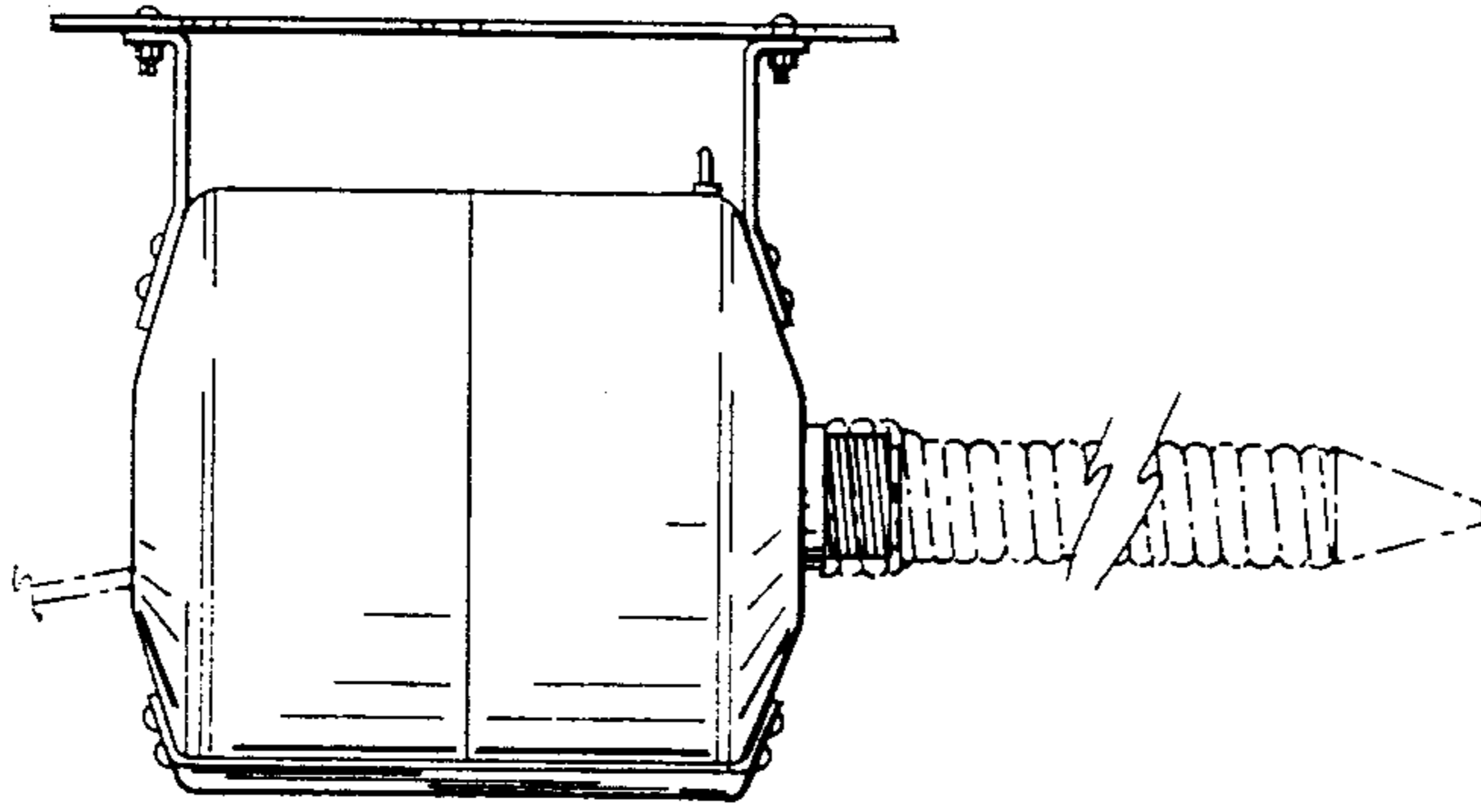


FIG. 1

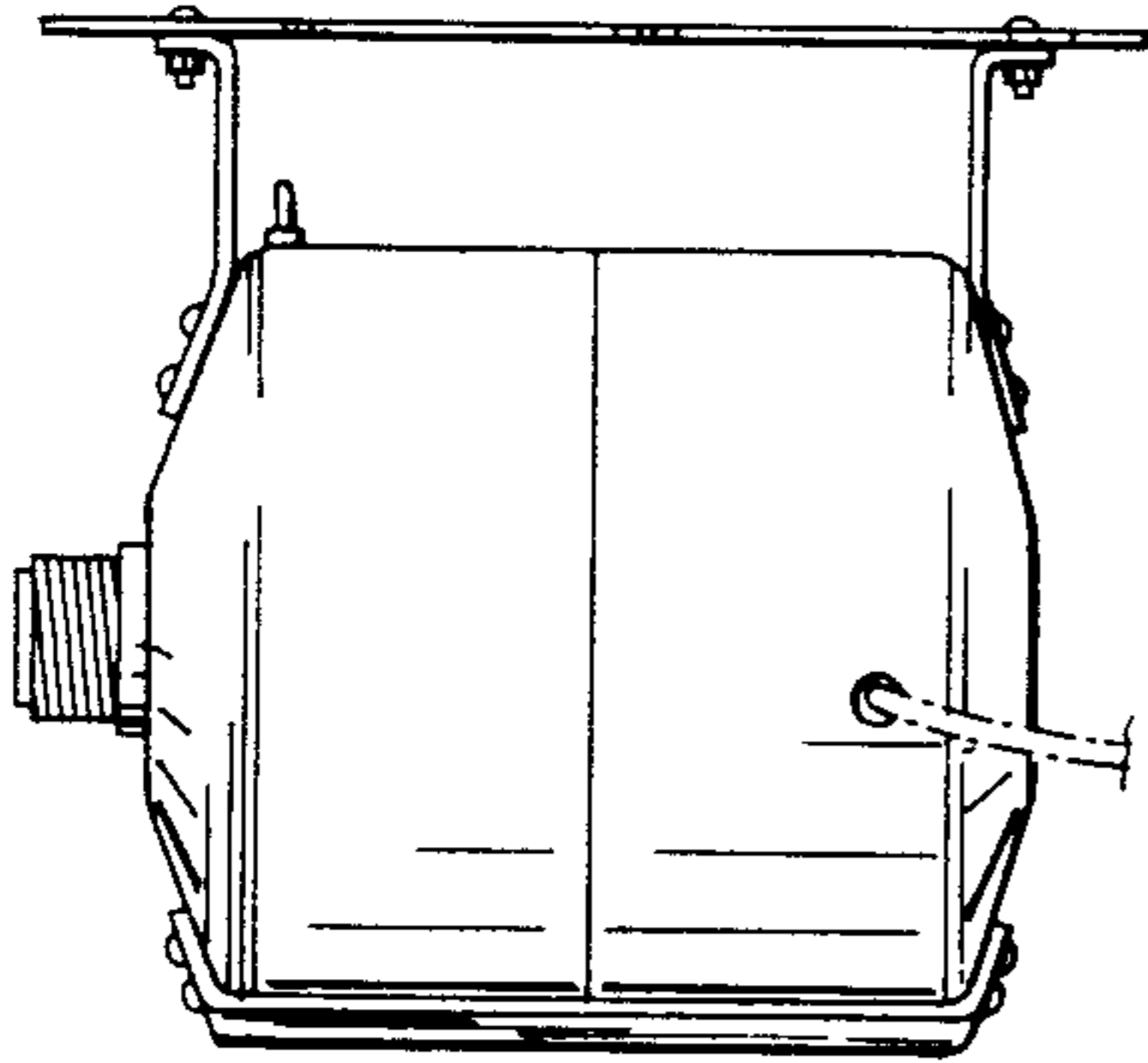


FIG. 2

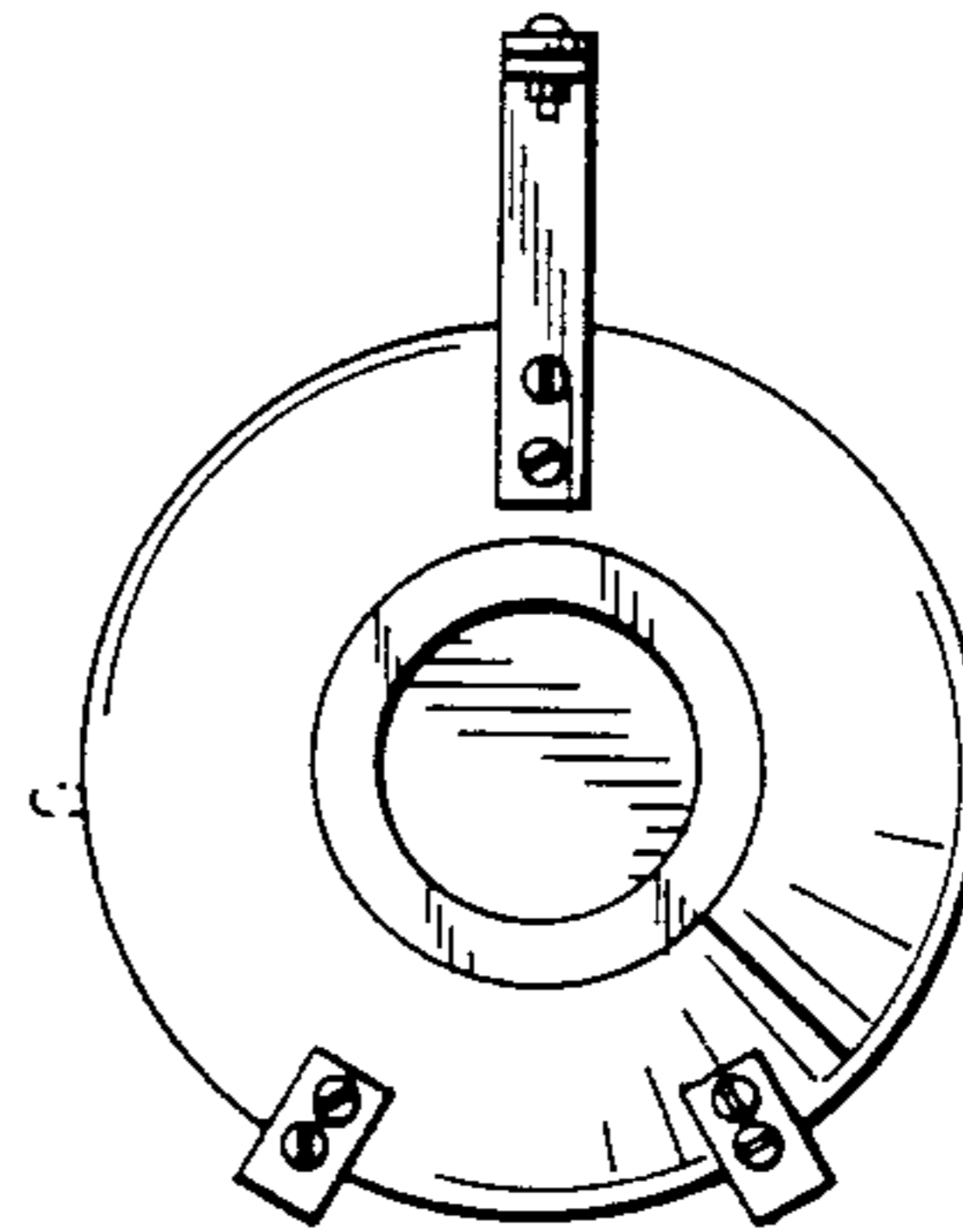


FIG. 3

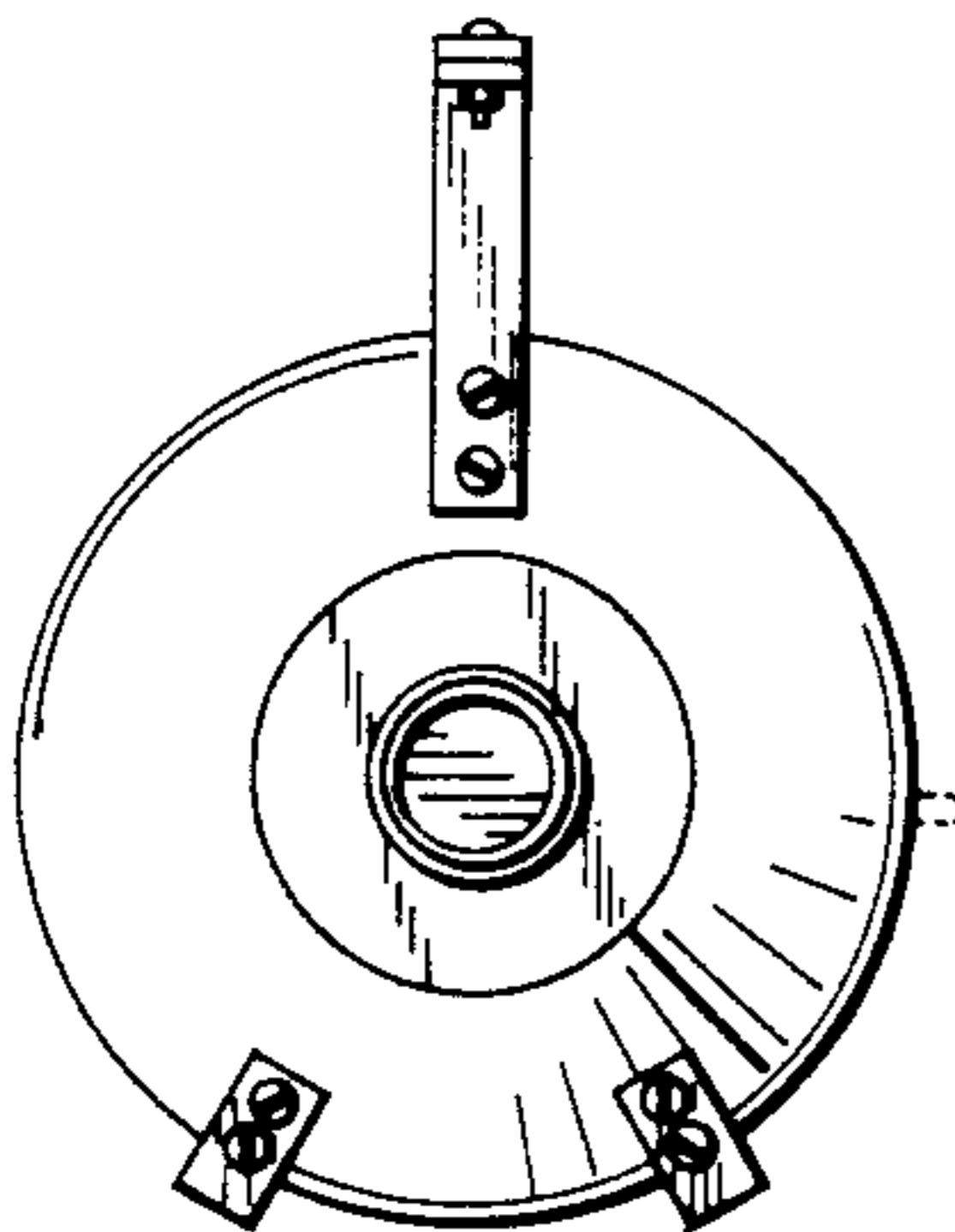


FIG. 4

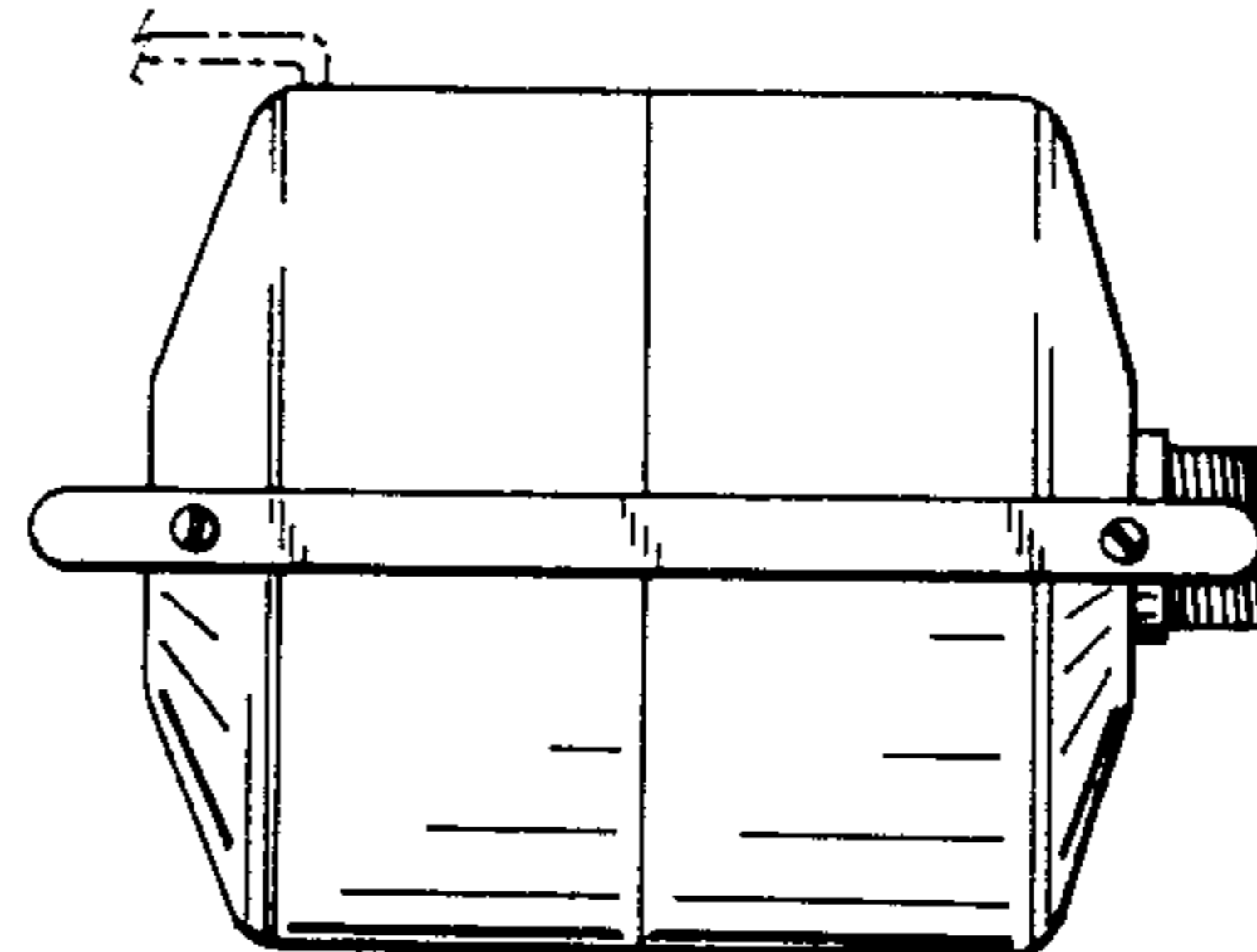


FIG. 5

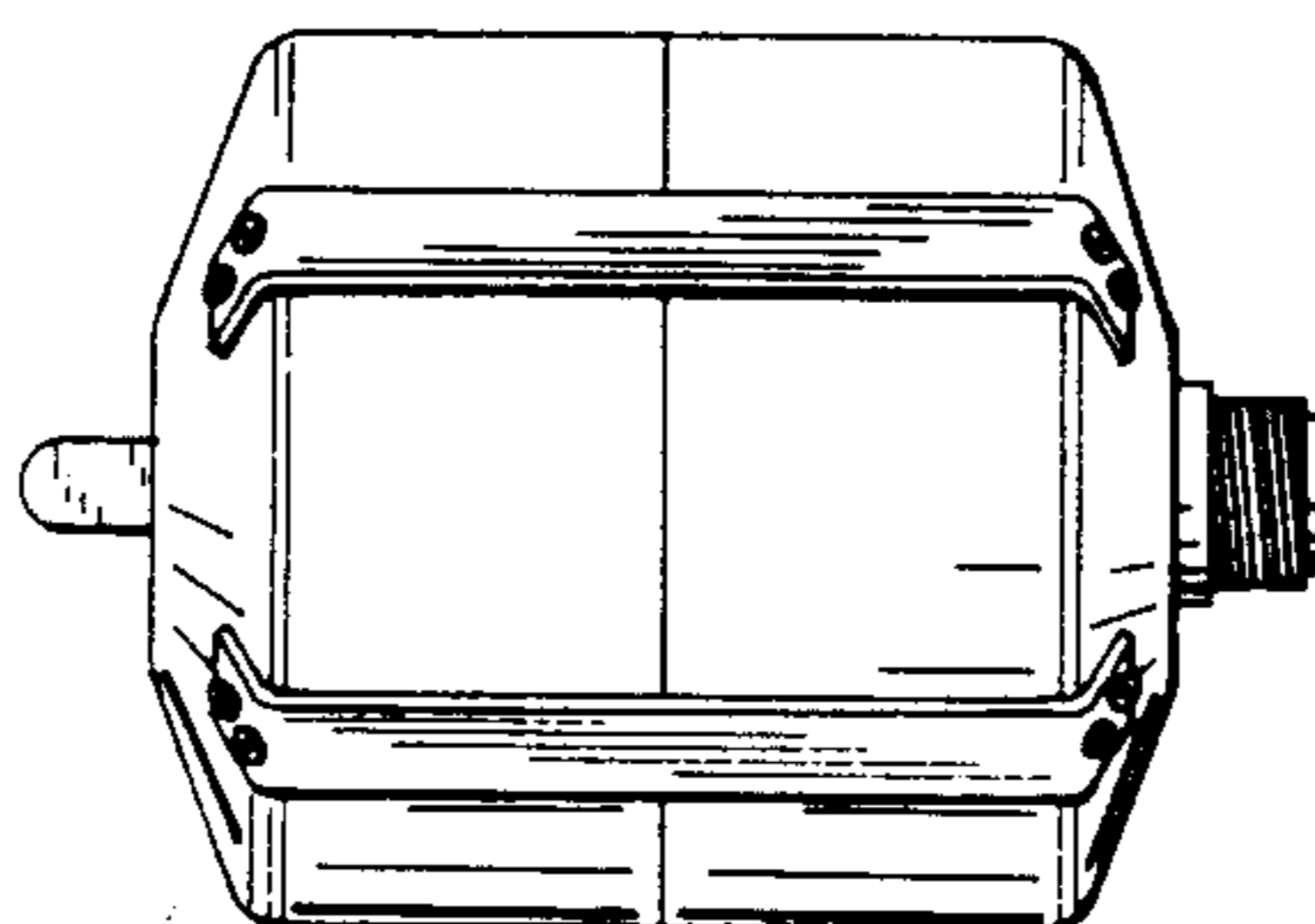


FIG. 6