

[54] LIGHT FIXTURE, OR SIMILAR ARTICLE

[75] Inventor: Joseph A. DiBernardo, New York, N.Y.

[73] Assignee: Lighting Products, Inc., Highland Park, Ill.

[**] Term: 14 Years

[21] Appl. No.: 964,576

[22] Filed: Nov. 14, 1978

[51] Int. Cl. D26-05

[52] U.S. Cl. D26/75

[58] Field of Search 362/217, 220, 222, 223, 362/269, 285, 362, 368, 370, 404, 225, 260; D26/72, 75, 76, 77, 78, 79

[56] References Cited

U.S. PATENT DOCUMENTS

2,973,177 2/1961 Stubbs 362/219 X
3,009,055 11/1961 Franzese 362/217

FOREIGN PATENT DOCUMENTS

2363838 6/1975 Fed. Rep. of Germany 362/217
290356 6/1965 Netherlands 362/225

OTHER PUBLICATIONS

Allbright Electric Products Co., Luminaire catalog, 1953, p. 10, Troffer RTG.

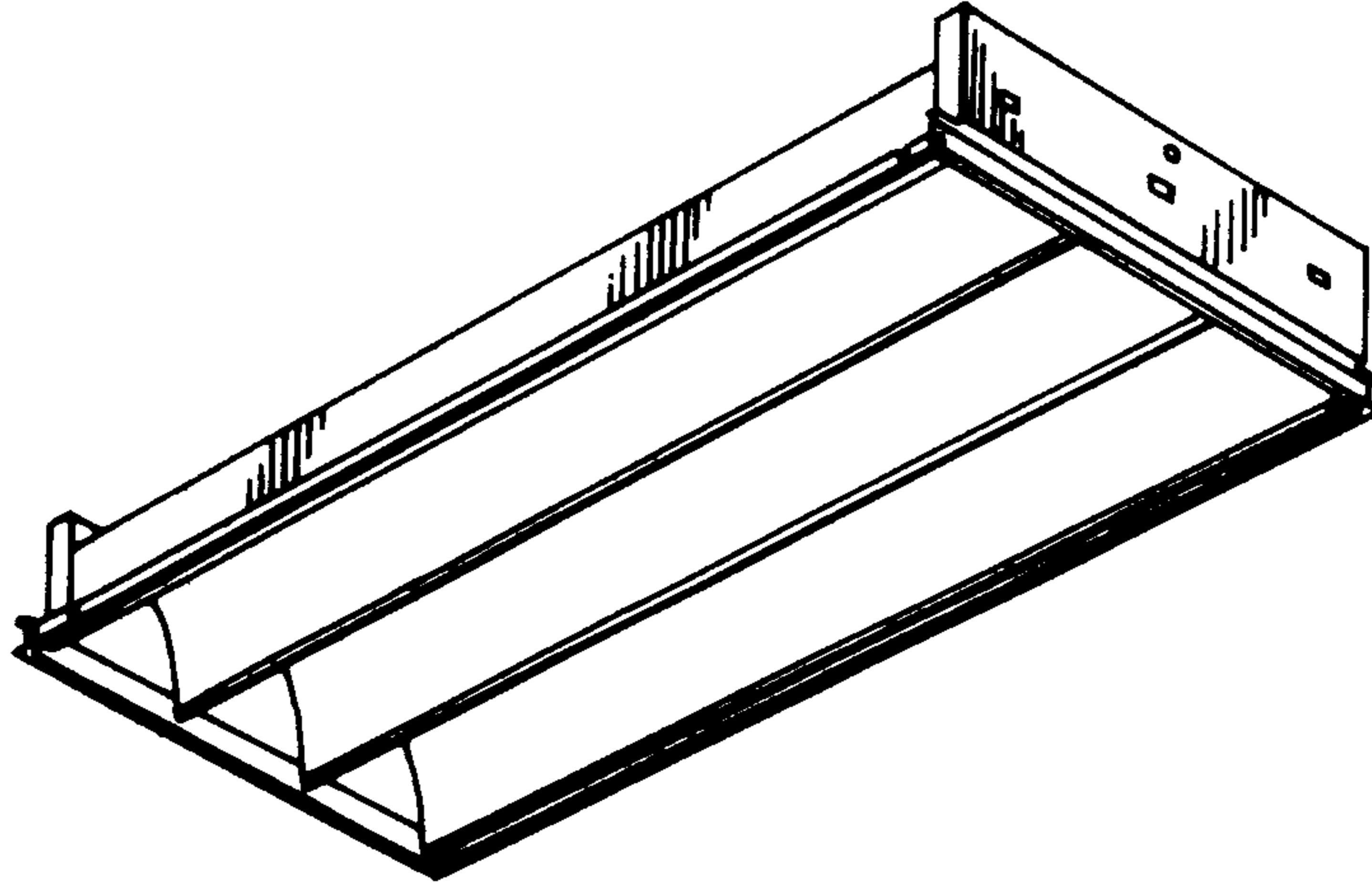
Primary Examiner—Catherine E. Kemper
Attorney, Agent, or Firm—Esther O. Kegan

[57] CLAIM

The ornamental design for a light fixture, or similar article, as shown and described.

DESCRIPTION

FIG. 1 is a bottom perspective view of a light fixture, or similar article, showing my new design;
FIG. 2 is an end elevational view thereof, on an enlarged scale;
FIG. 3 is a side elevational view thereof, on an enlarged scale;
FIG. 4 is a bottom plan view thereof, on an enlarged scale;
FIG. 5 is a top plain view thereof, on an enlarged scale;
FIG. 6 is a cross-sectional view taken along the lines 6-6 of FIG. 5, on a greatly enlarged scale;
FIGS. 7, 8 and 9 are fragmentary views, again enlarged, of the elements in circles 7, 8 and 9, respectively, in FIG. 6.



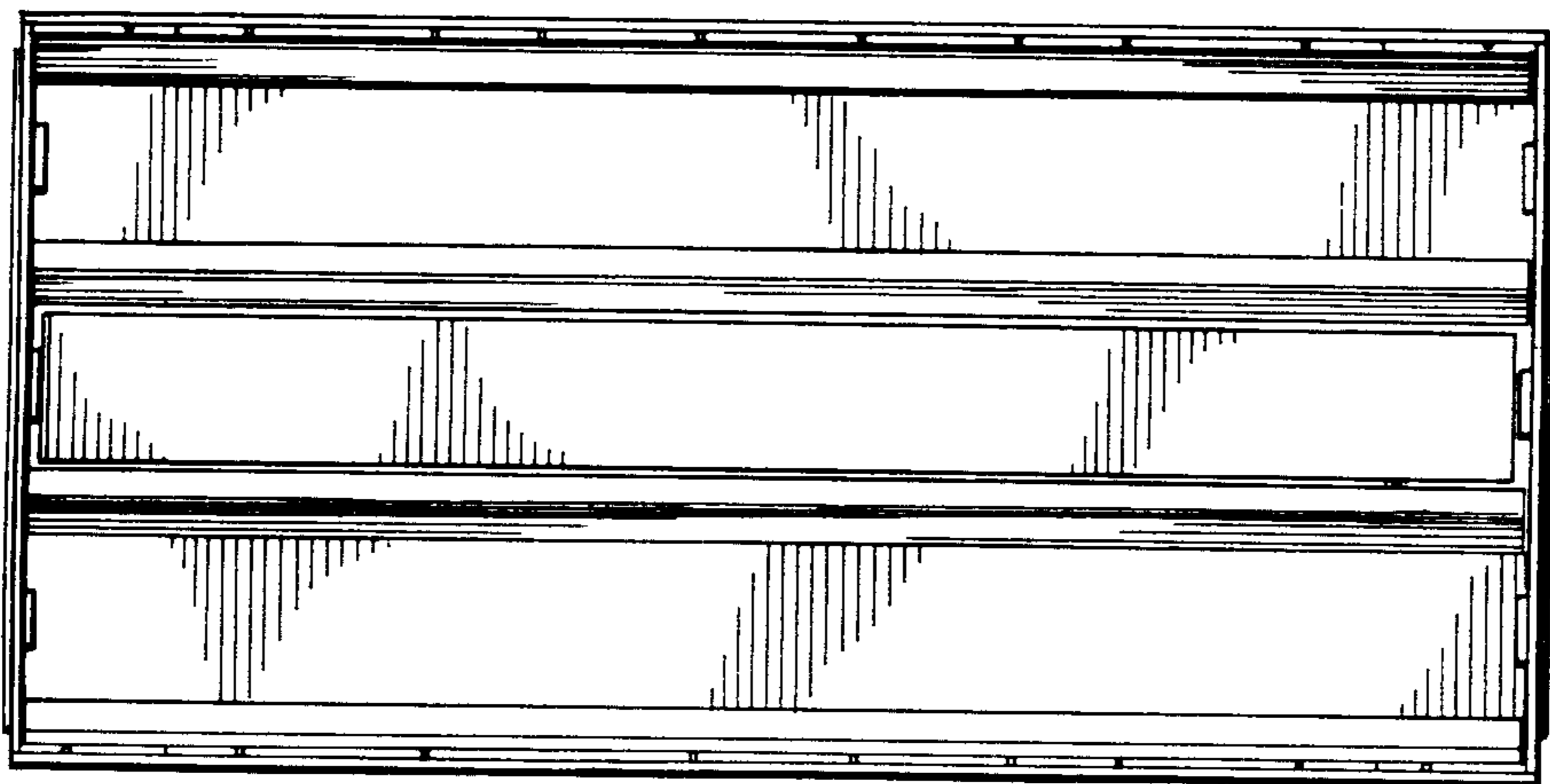
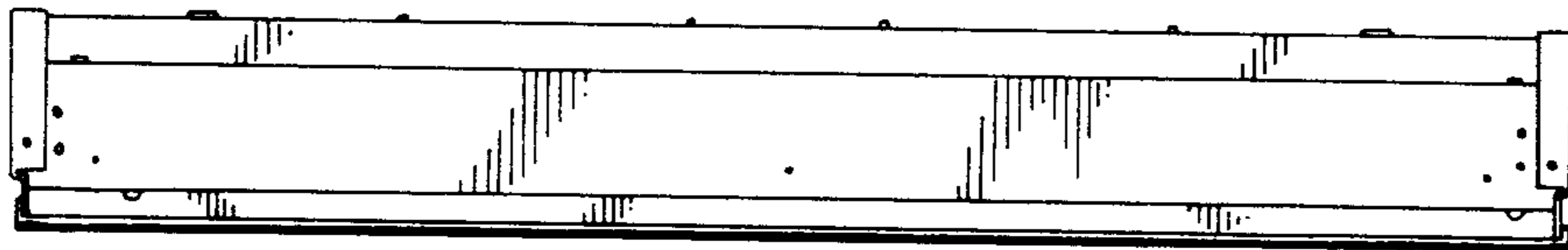
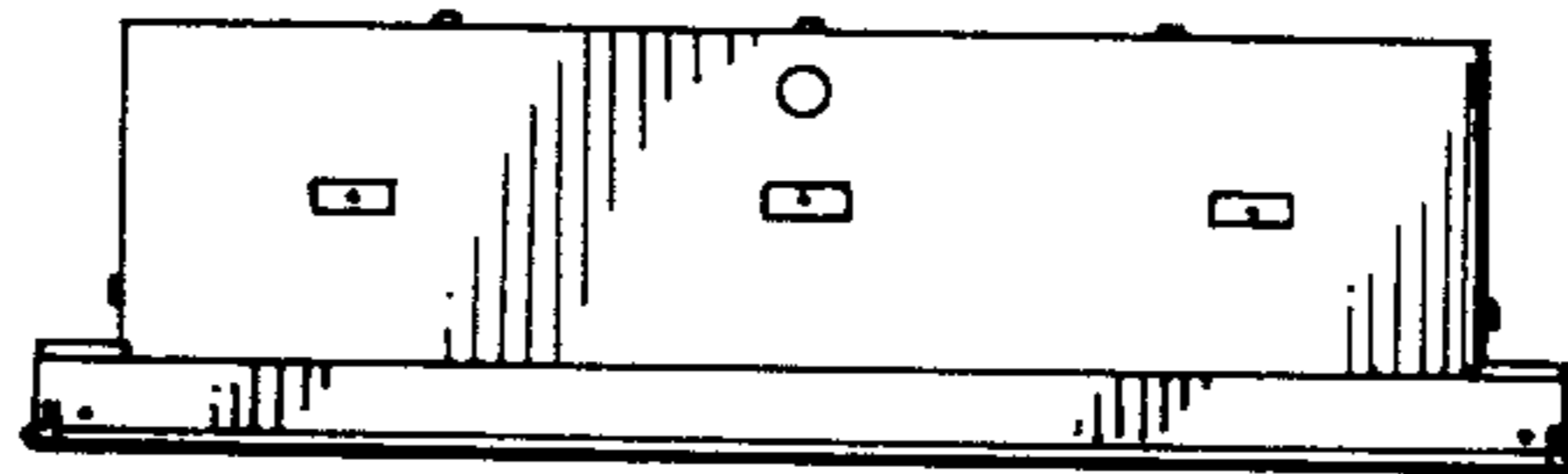
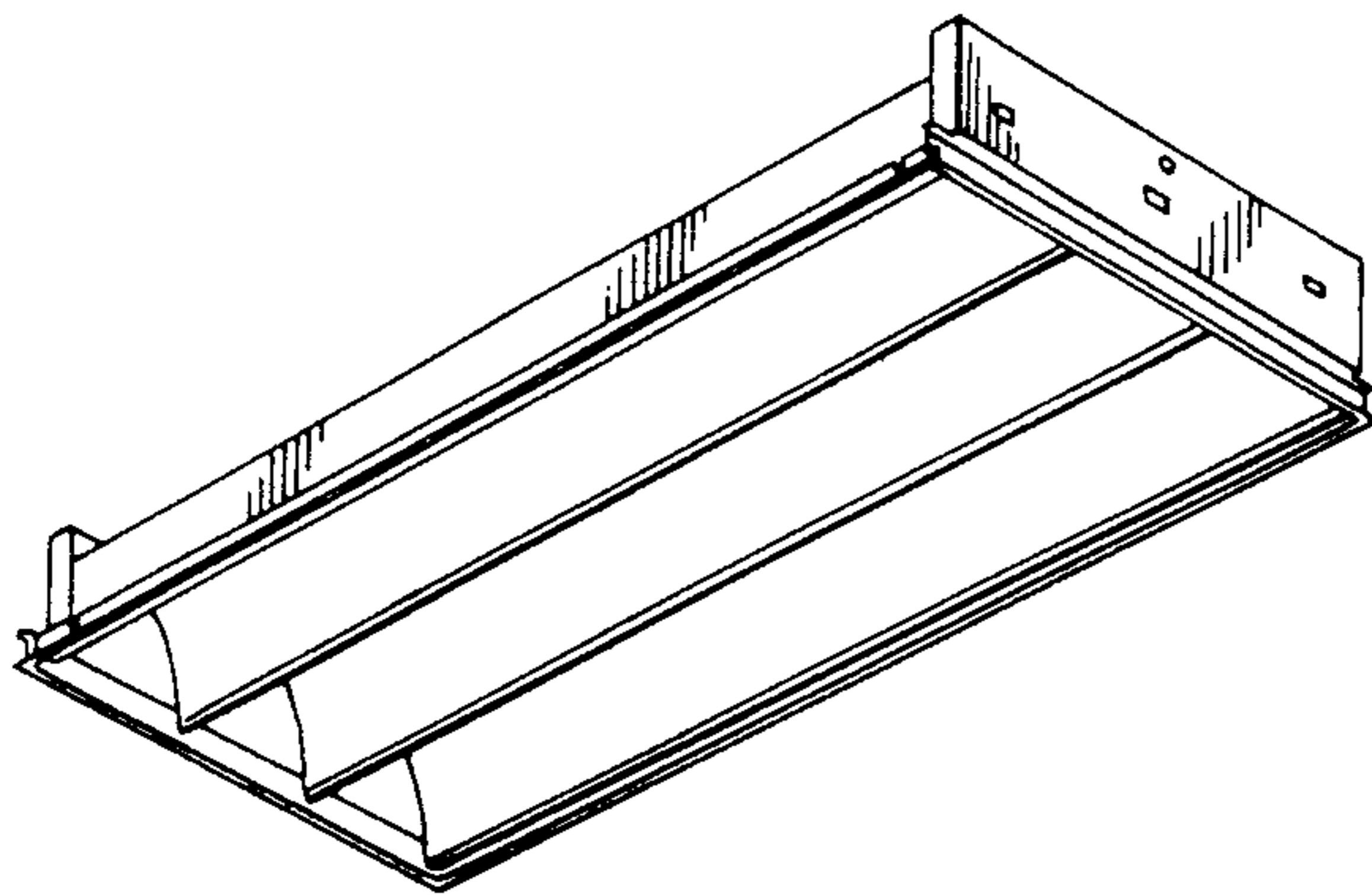
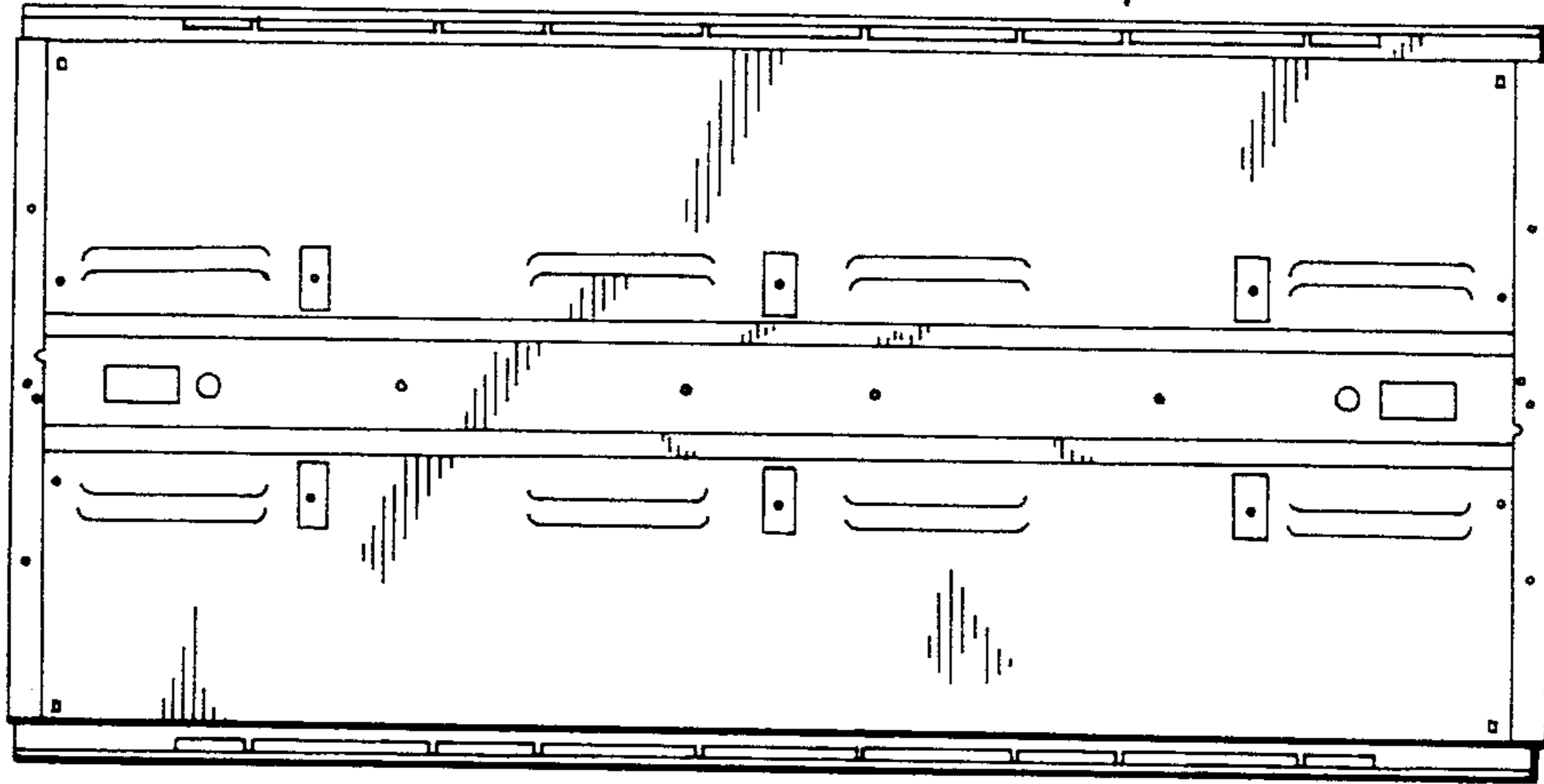


FIG. 5



6

6

FIG. 6

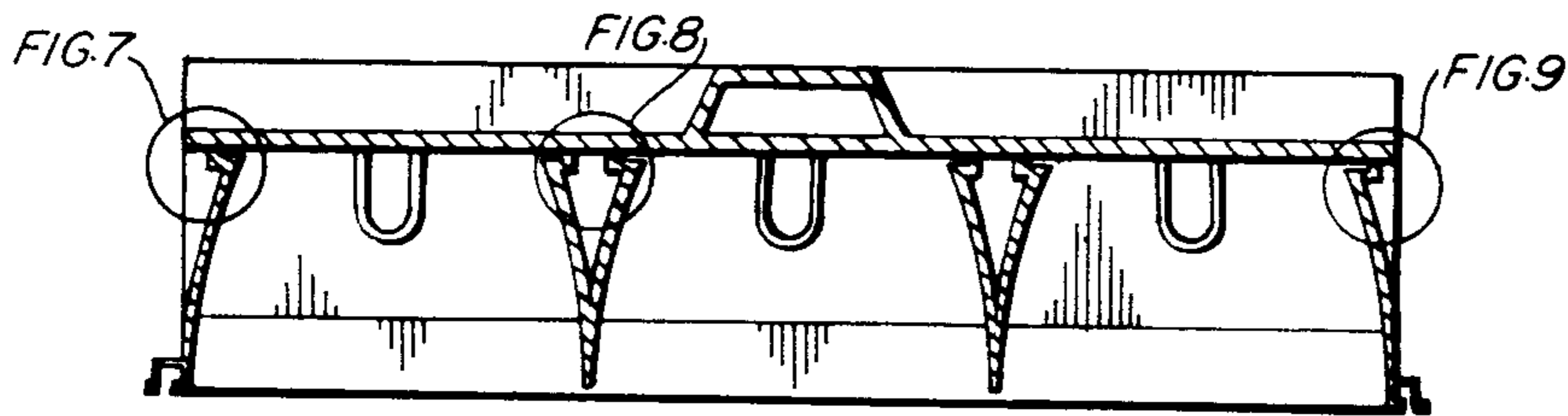


FIG. 7

FIG. 8

FIG. 9

