

[54] FLUSH MOUNTED PASSIVE DOMESTIC SOLAR WATER HEATER MODULE

[76] Inventor: Gary A. Millhollen, 5838 Robertson Ave., Carmichael, Calif. 95608

[\*\*] Term: 14 Years

[21] Appl. No.: 966,640

[22] Filed: Dec. 5, 1978

[51] Int. Cl. .... D23-03

[52] U.S. Cl. .... D23/72

[58] Field of Search ..... D23/72, 77, 86, 127; D25/80, 92; 126/448, 450

[56] References Cited

U.S. PATENT DOCUMENTS

748,696	1/1904	Browning, Jr. ....	126/448 X
2,257,524	9/1941	DeBogory ....	126/448
4,142,514	3/1979	Newton ....	126/450 X

Primary Examiner—Catherine E. Kemper  
Attorney, Agent, or Firm—Robert G. West

[57] CLAIM

The ornamental design for a flush mounted passive domestic solar water heater module, as shown and described.

DESCRIPTION

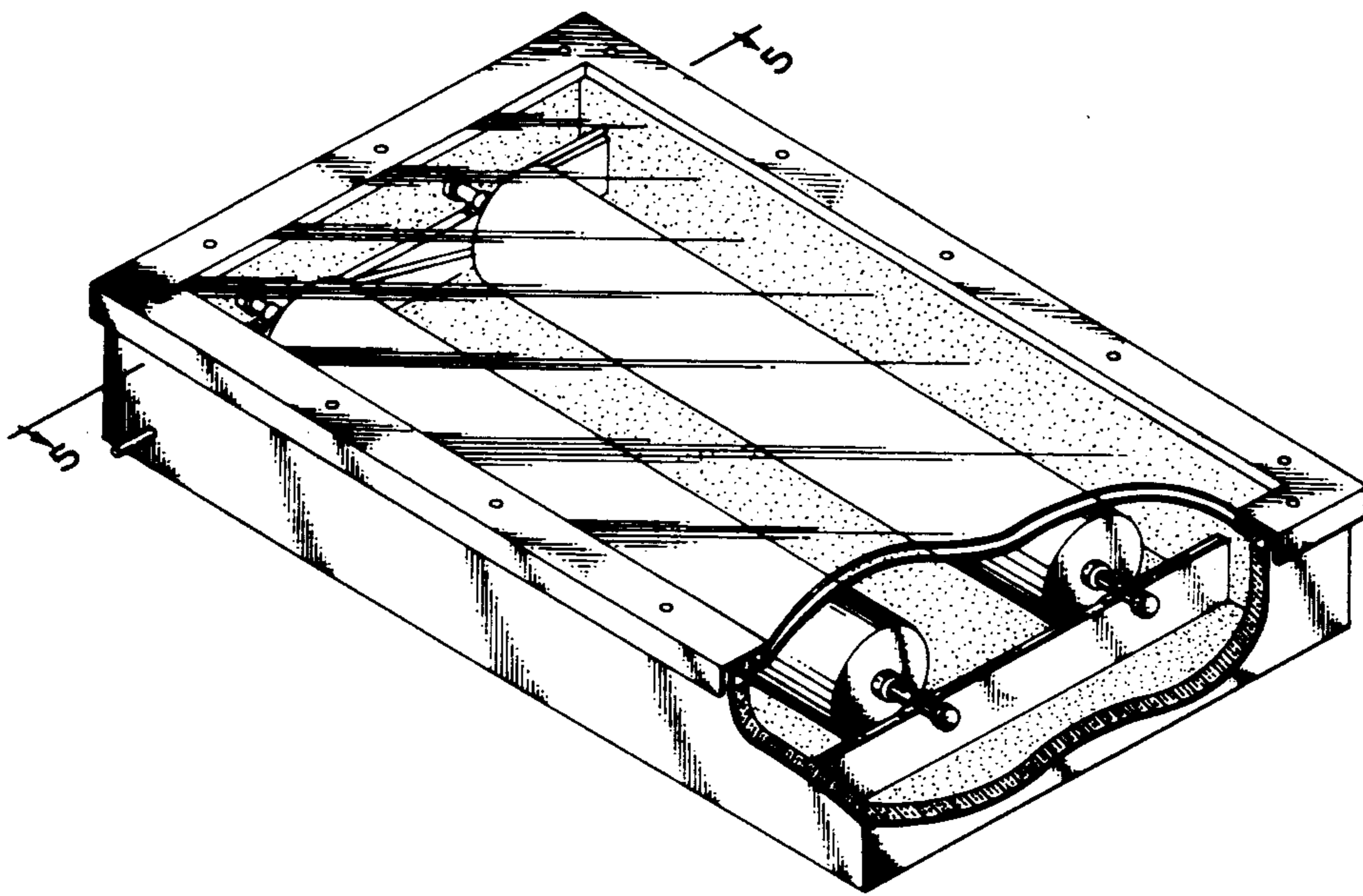
FIG. 1 is a perspective view of a flush mounted passive domestic solar water heater module, showing my new design, shown partially broken away for completeness of disclosure;

FIG. 2 is a left side elevational view, the right side being a mirror image thereof except for the slight upward displacement of the external portion of the water pipe, as shown in FIGS. 4 and 5;

FIG. 3 is a bottom plan view thereof;

FIG. 4 is a left end elevational view thereof, the right end being a mirror image thereof; and,

FIG. 5 is a sectional view taken along line 5—5 of FIG. 1.



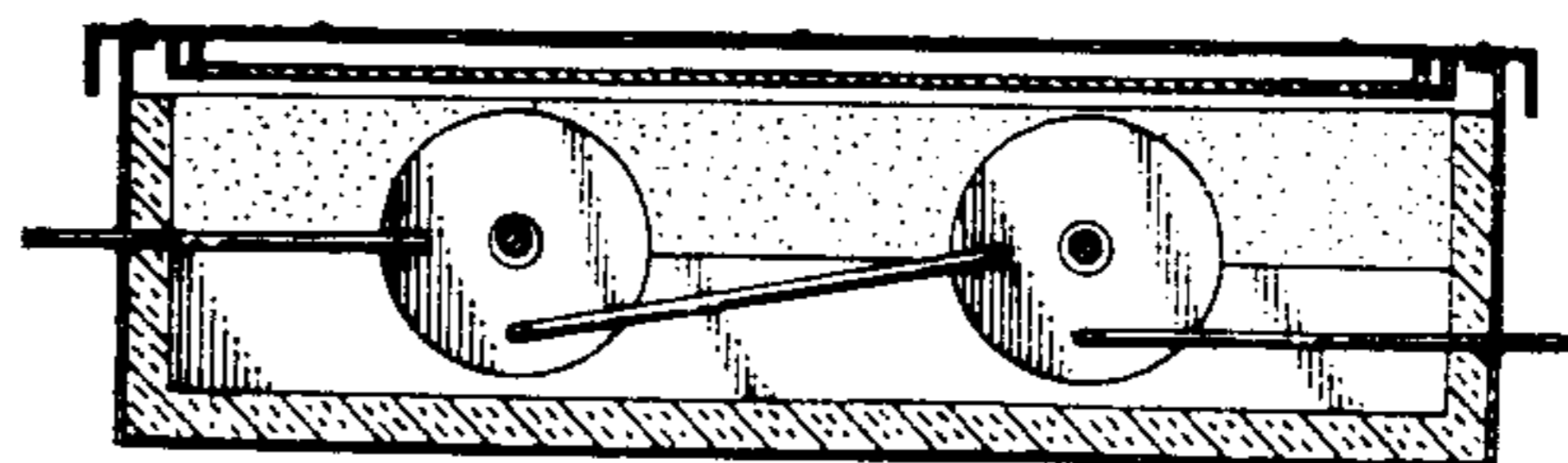
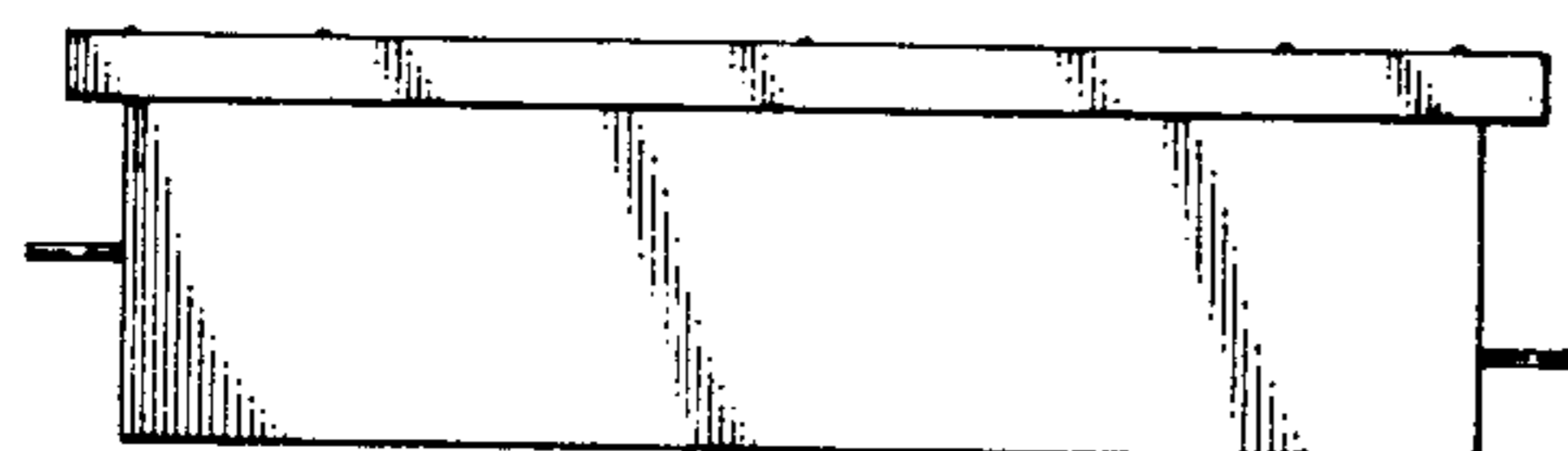
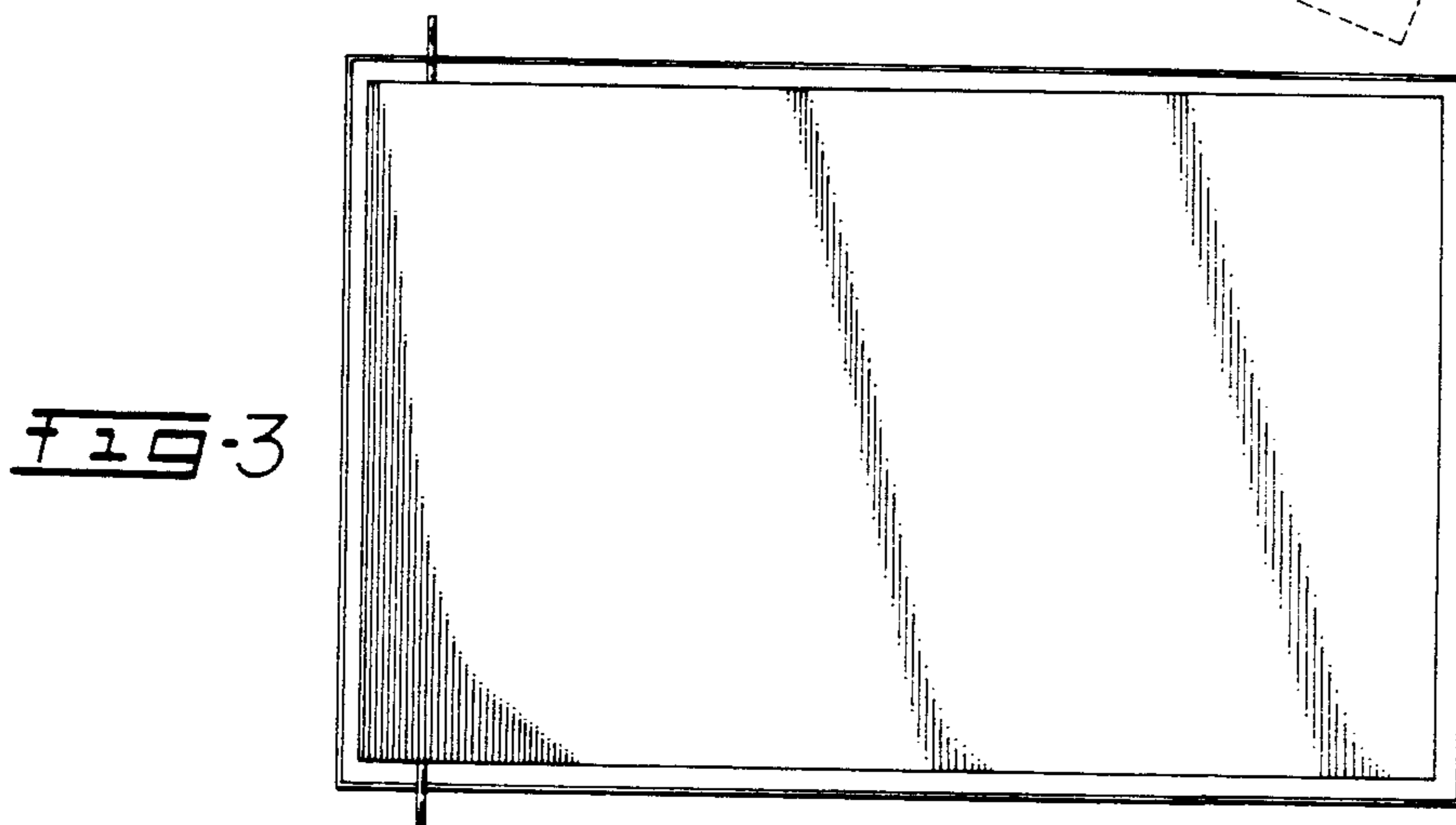
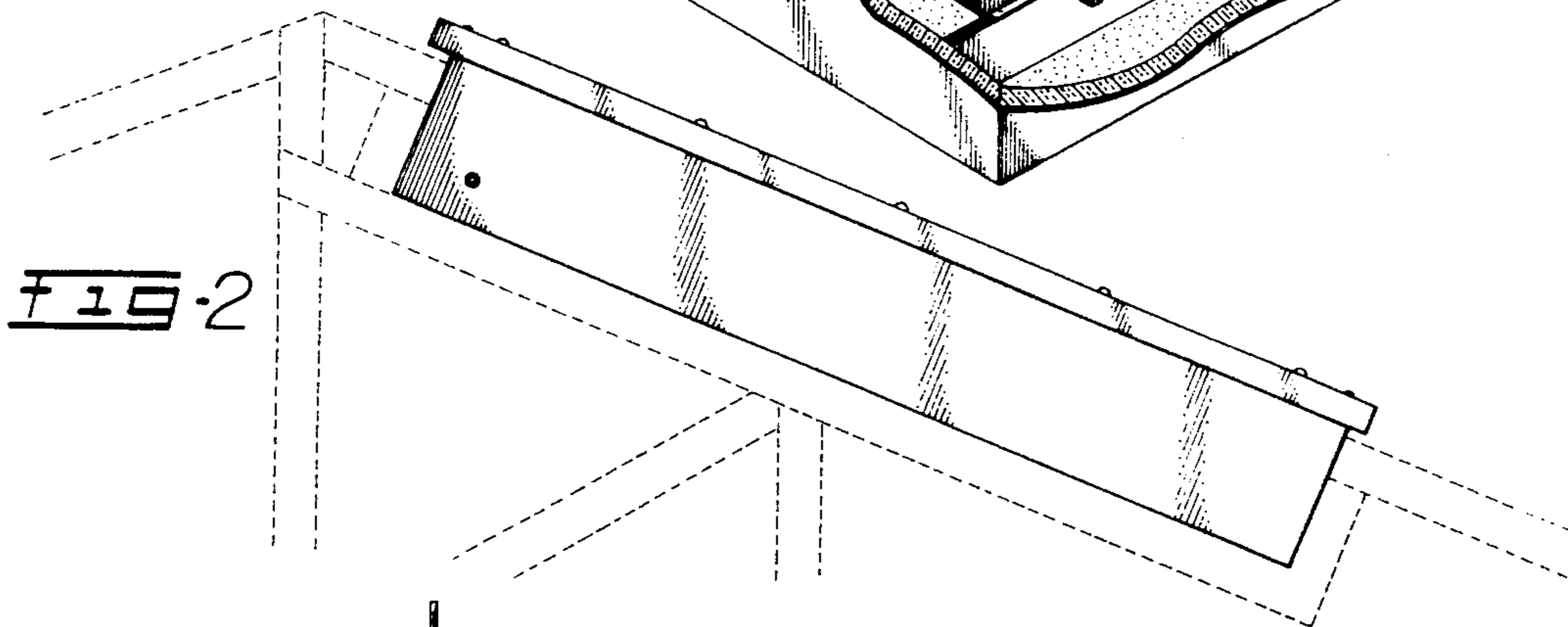
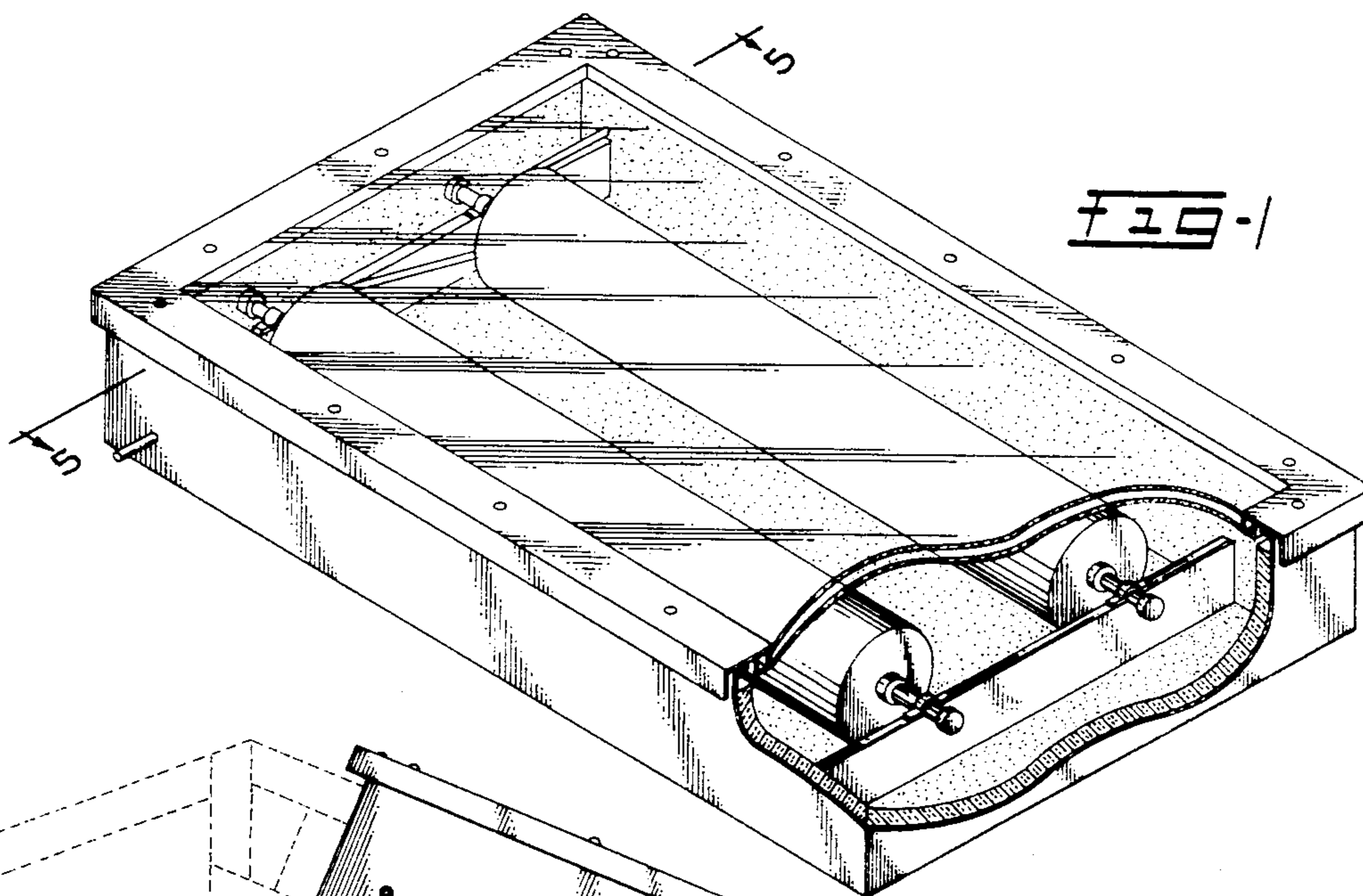


FIG-4

FIG-5