

[54] FLOOD LIGHTING ASSEMBLY

[75] Inventors: James L. Drost; Myron K. Gordin, both of Oskaloosa, Iowa

[73] Assignee: Muscatine Lighting Manufacturing Co., Inc., Muscatine, Iowa

[**] Term: 14 Years

[21] Appl. No.: 905,418

[22] Filed: May 12, 1978

[51] Int. Cl. D26-03

[52] U.S. Cl. D26/69; D26/102

[58] Field of Search 362/217, 220, 222, 223, 362/227, 235, 369, 285, 290, 329, 341, 362, 368, 370, 375, 431, 430; D26/67, 68, 69, 102

[56] References Cited

PUBLICATIONS

General Electric Designer's & Buyer's Guide to Area Lighting, 1962, p. 19-Floodlight #L-84.
Nalco Lamp Catalog, 1950, p. 5-portable light unit.
Stonco Lighting User Price Catalog 6-1, 1972, p. 37, Square Standard.

Primary Examiner—Catherine E. Kemper
Attorney, Agent, or Firm—Rudolph L. Lowell

[57] CLAIM

The ornamental design for a flood lighting assembly, substantially as shown.

DESCRIPTION

FIG. 1 is a side, rear perspective view of a flood lighting assembly showing our new design; FIG. 2 is a front view thereof; FIG. 3 is a view of the side opposite that shown in FIG. 1; FIG. 4 is a plan view thereof; and FIG. 5 is a bottom view thereof.

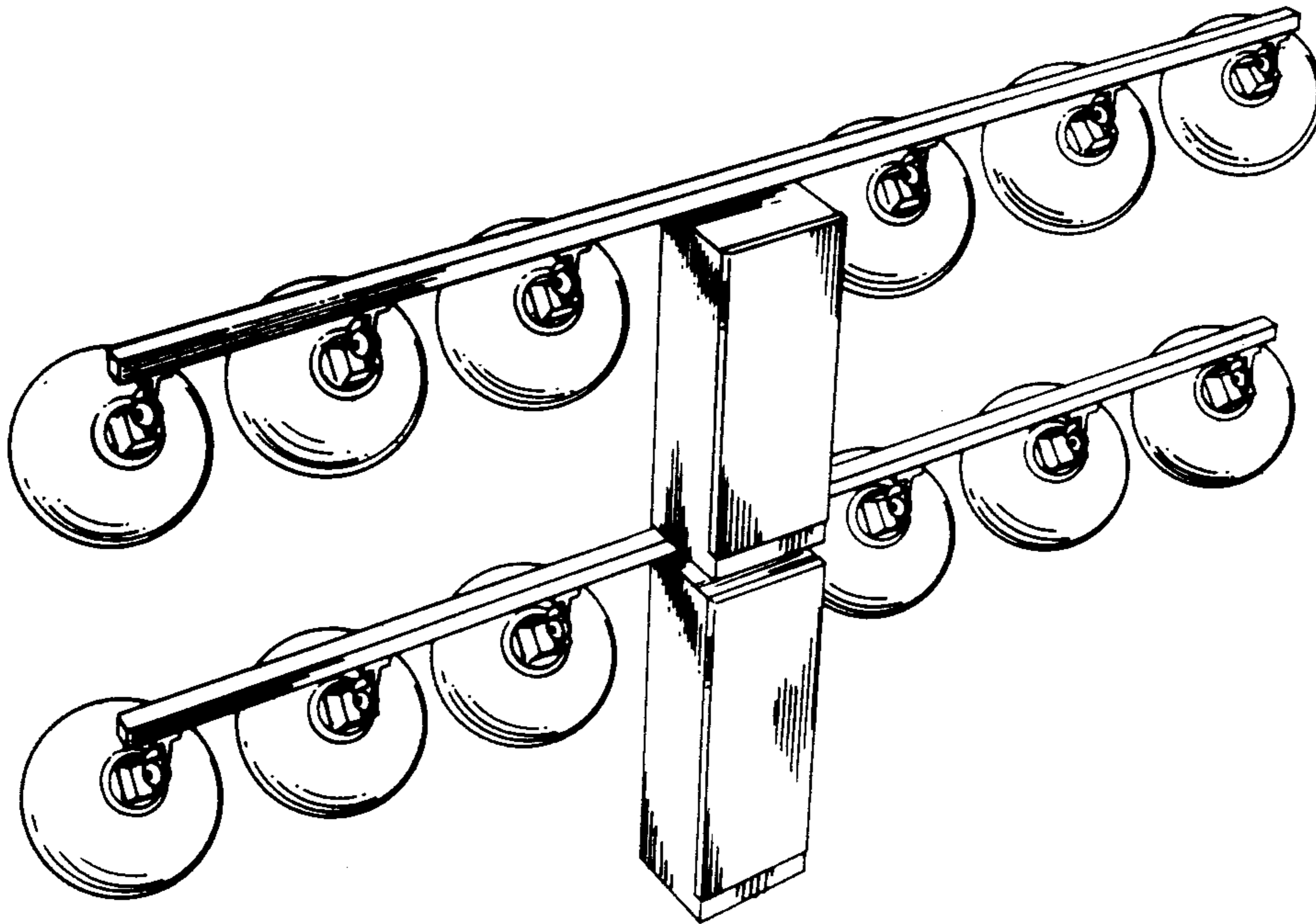


FIG. 1

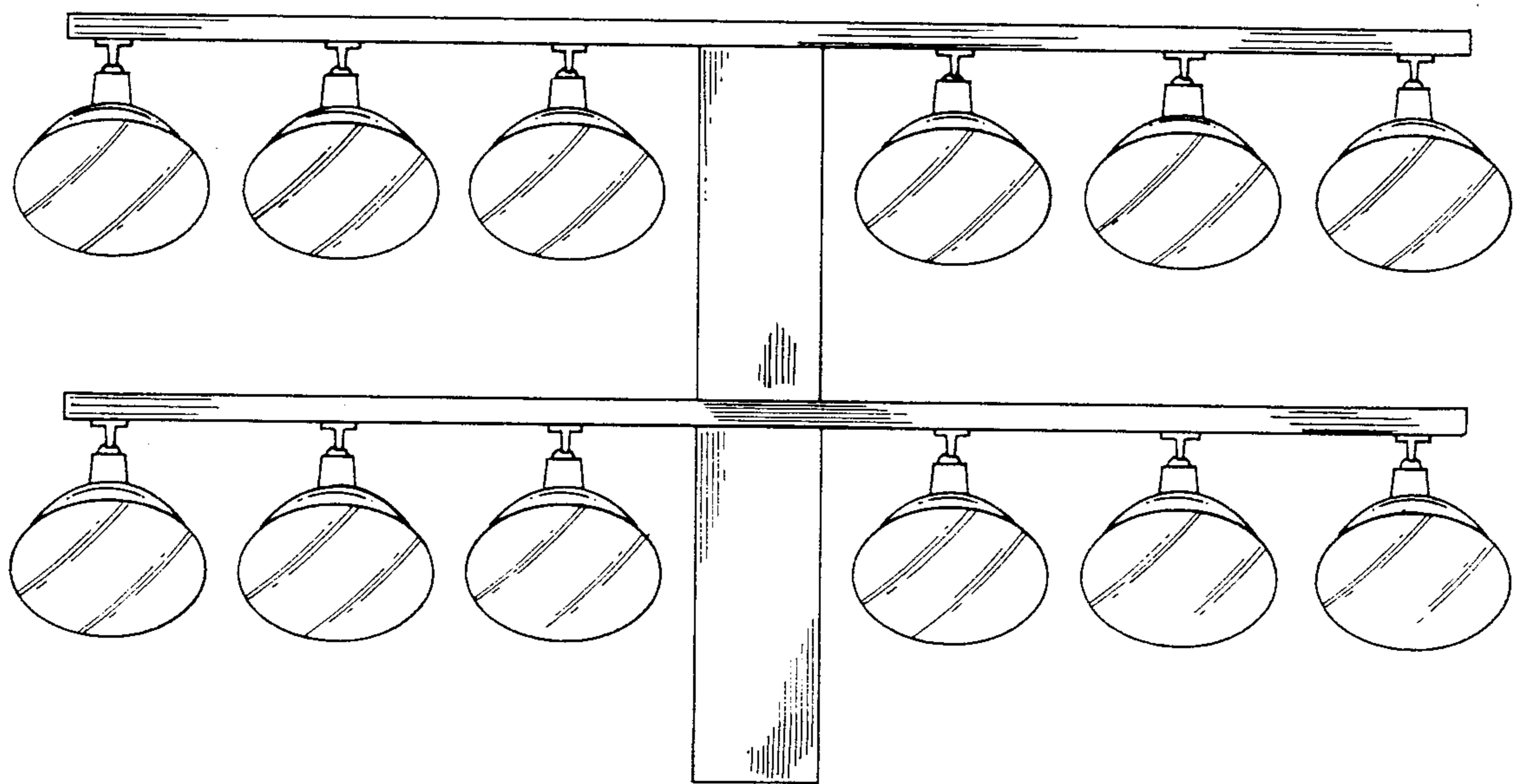
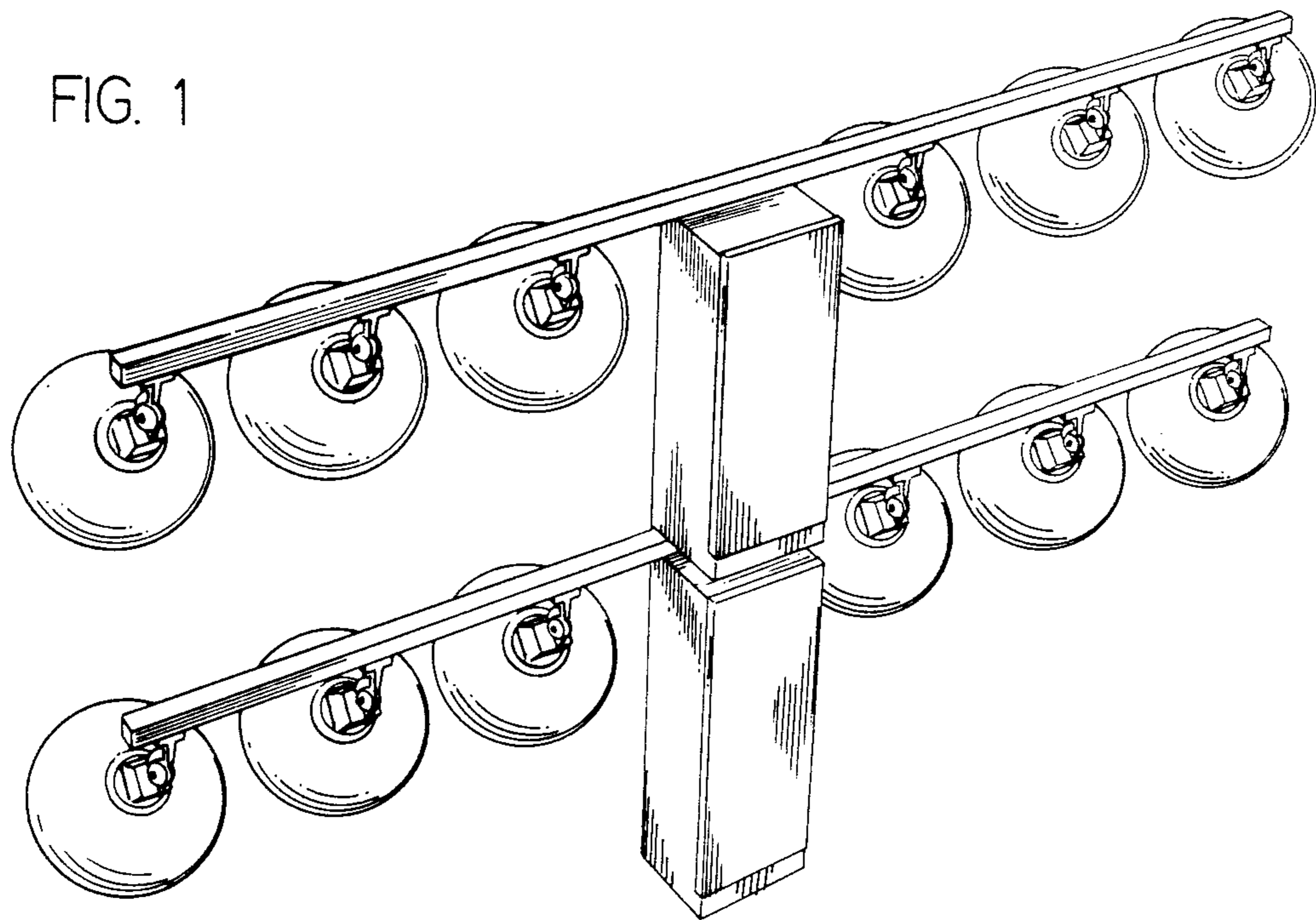


FIG. 2

FIG. 3

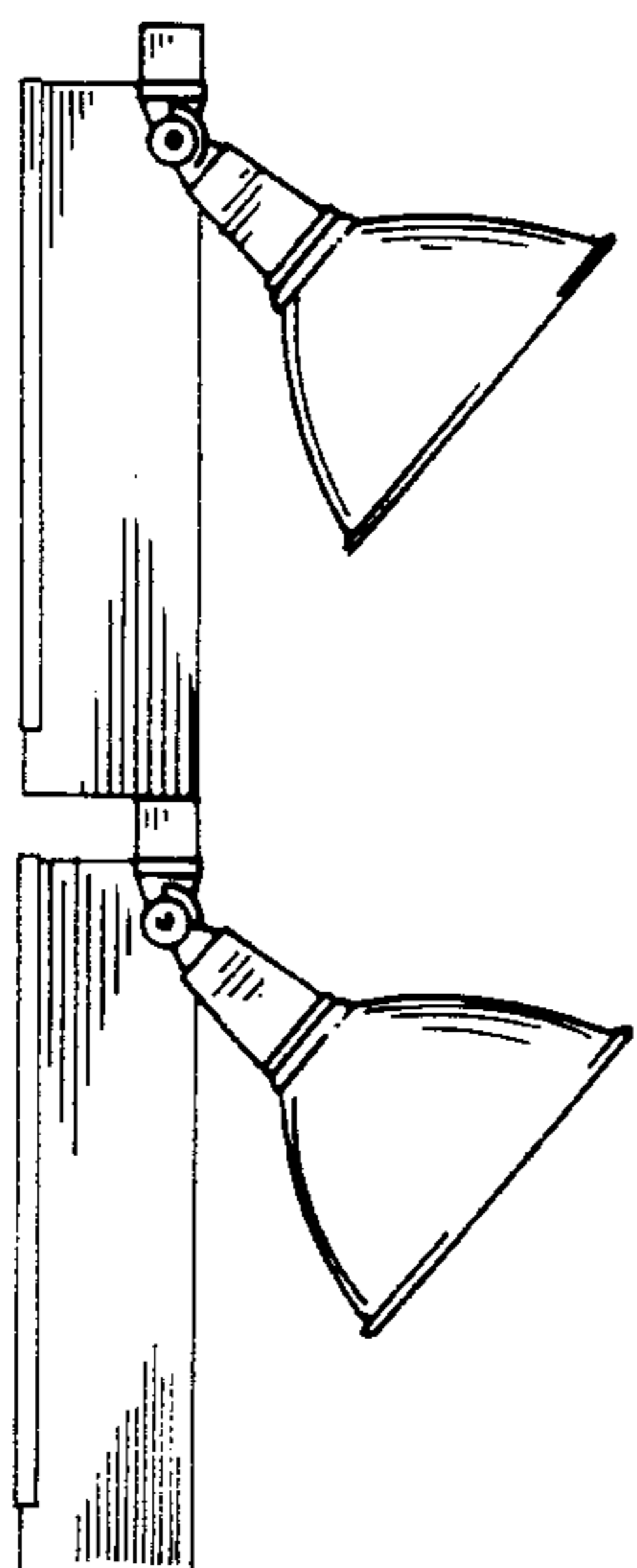


FIG. 4

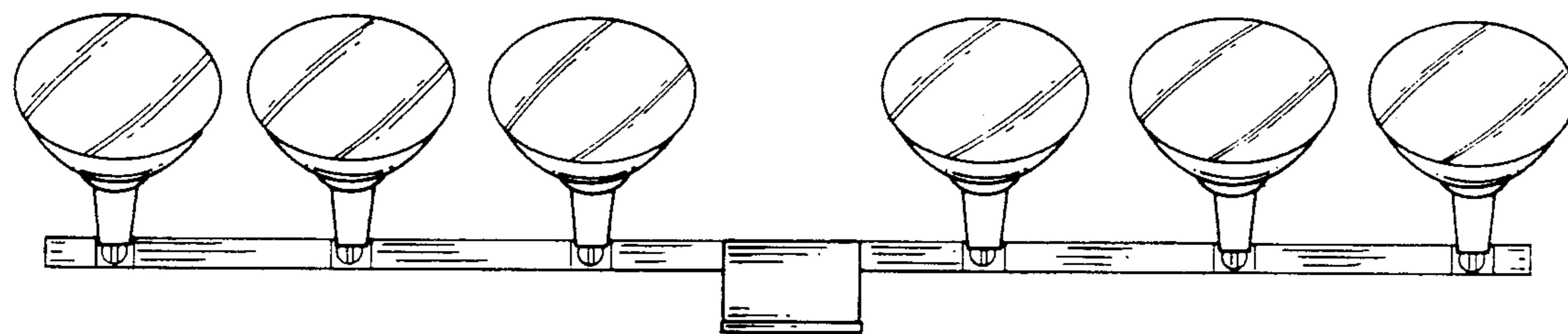
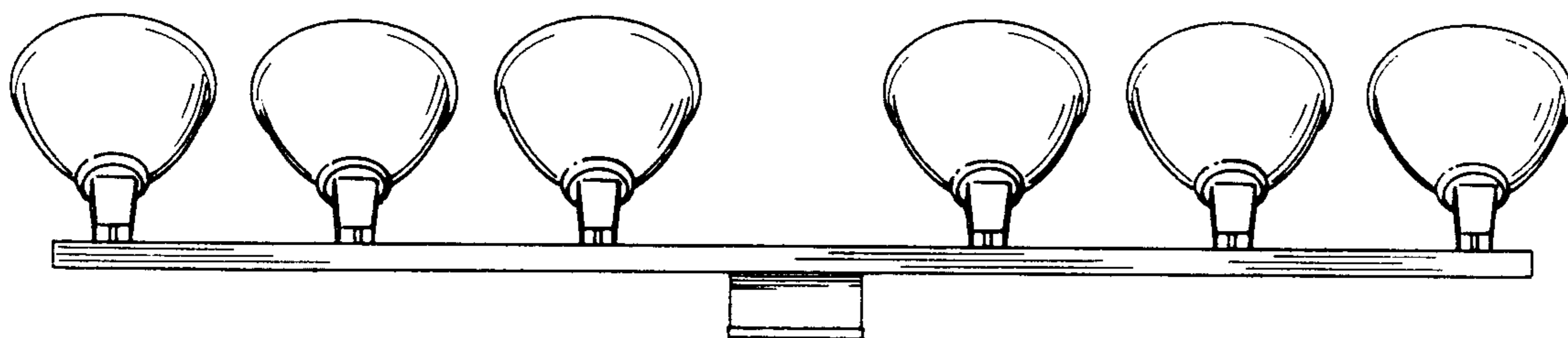


FIG. 5