

[54] SPOT LAMP

[75] Inventor: Daniel L. Aron, Northridge, Calif.

[73] Assignee: Mole-Richardson Co., Hollywood, Calif.

[\*\*] Term: 14 Years

[21] Appl. No.: 962,293

[22] Filed: Nov. 20, 1978

[51] Int. Cl. .... D26-05

[52] U.S. Cl. .... D26/63

[58] Field of Search ..... 362/3, 217, 220, 227, 362/235, 269, 285, 290, 329, 341, 362, 368, 370, 410; D26/24, 61-66, 67, 68

[56] References Cited

U.S. PATENT DOCUMENTS

D. 158,200	4/1950	Kliegl .....	D48/20 K
D. 218,846	9/1970	Wolff .....	D48/20 K
3,116,022	12/1963	Davis .....	D48/20 K X

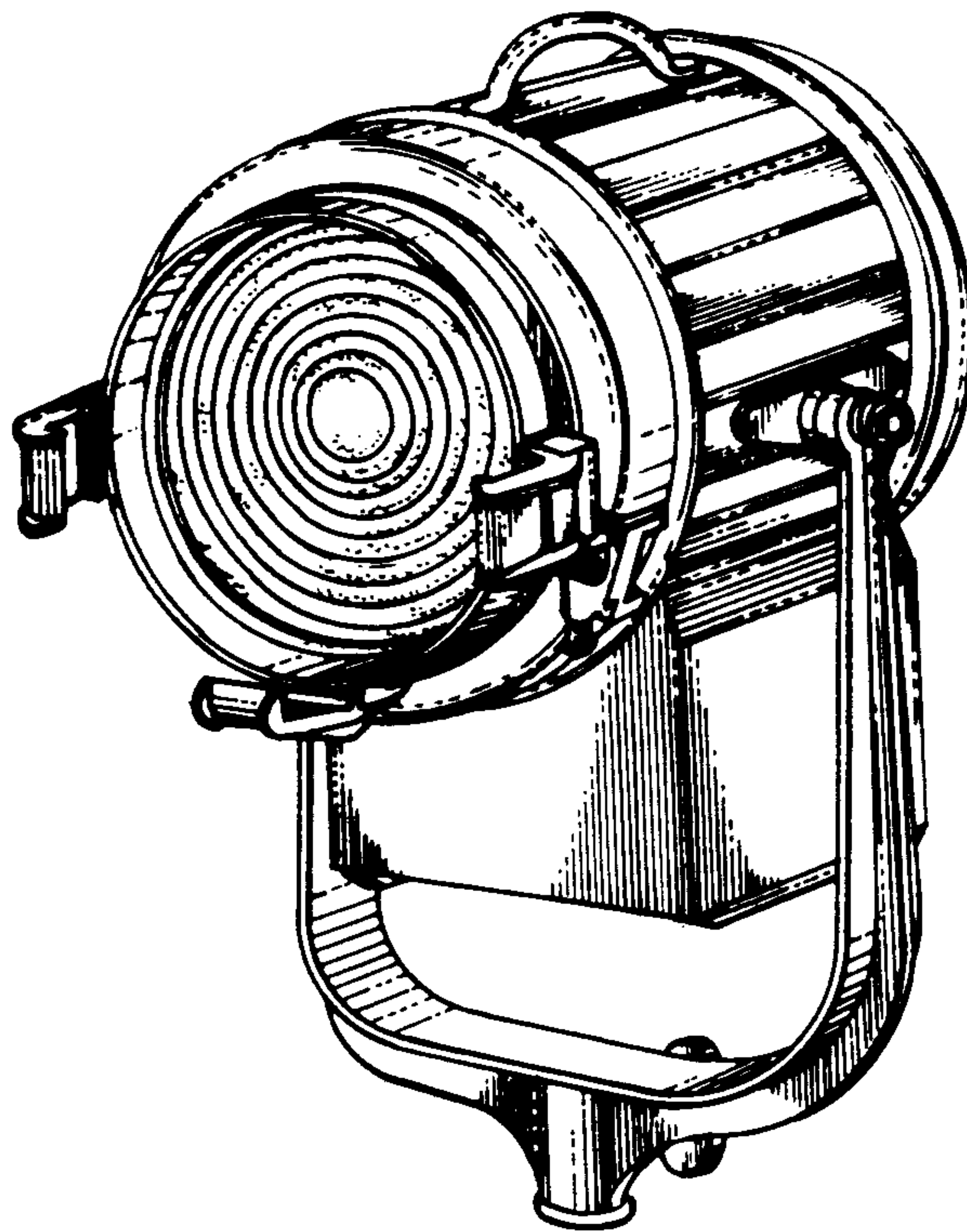
Primary Examiner—Catherine E. Kemper  
Attorney, Agent, or Firm—Warren L. Patton

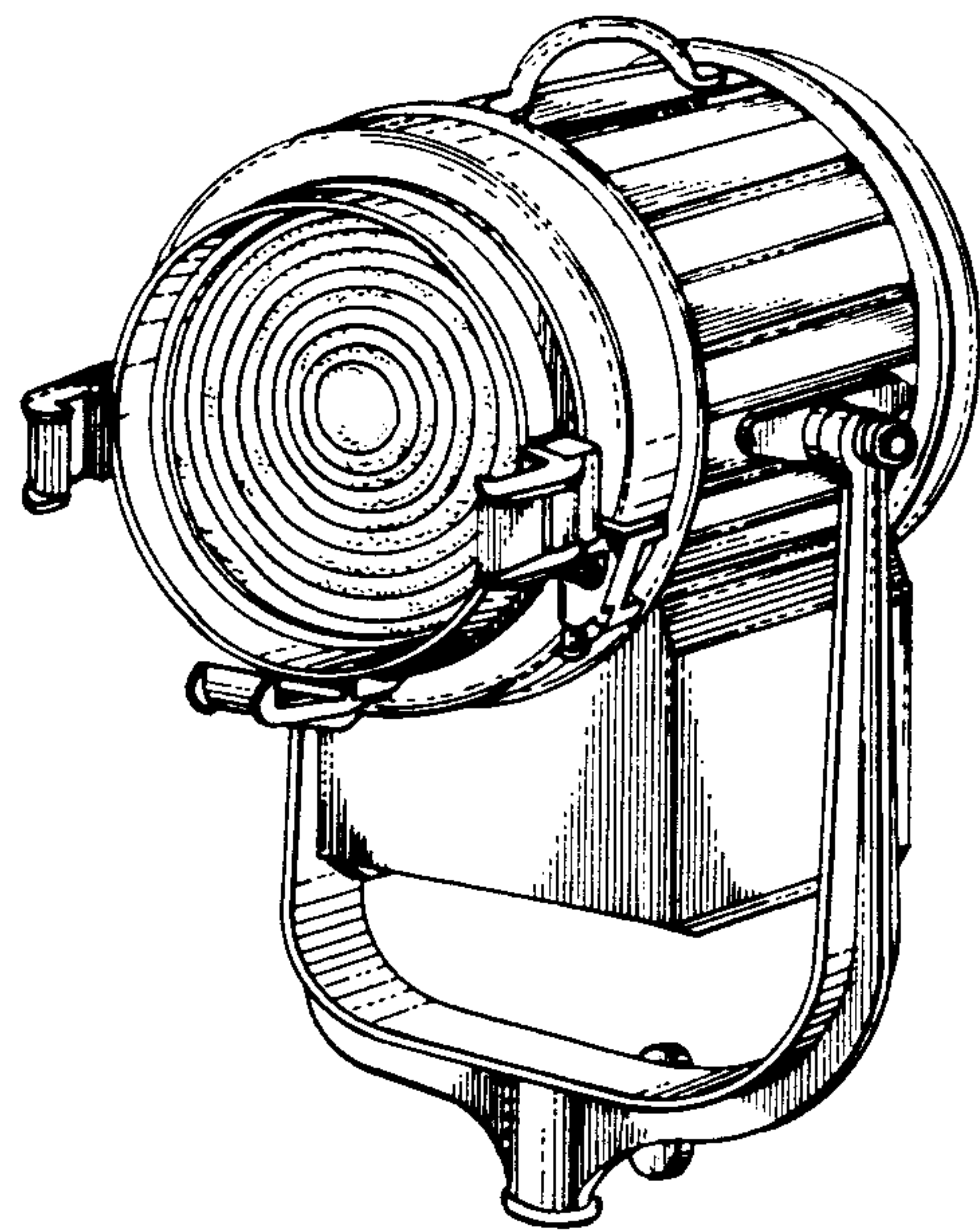
[57] CLAIM

The ornamental design for a spot lamp, as shown.

DESCRIPTION

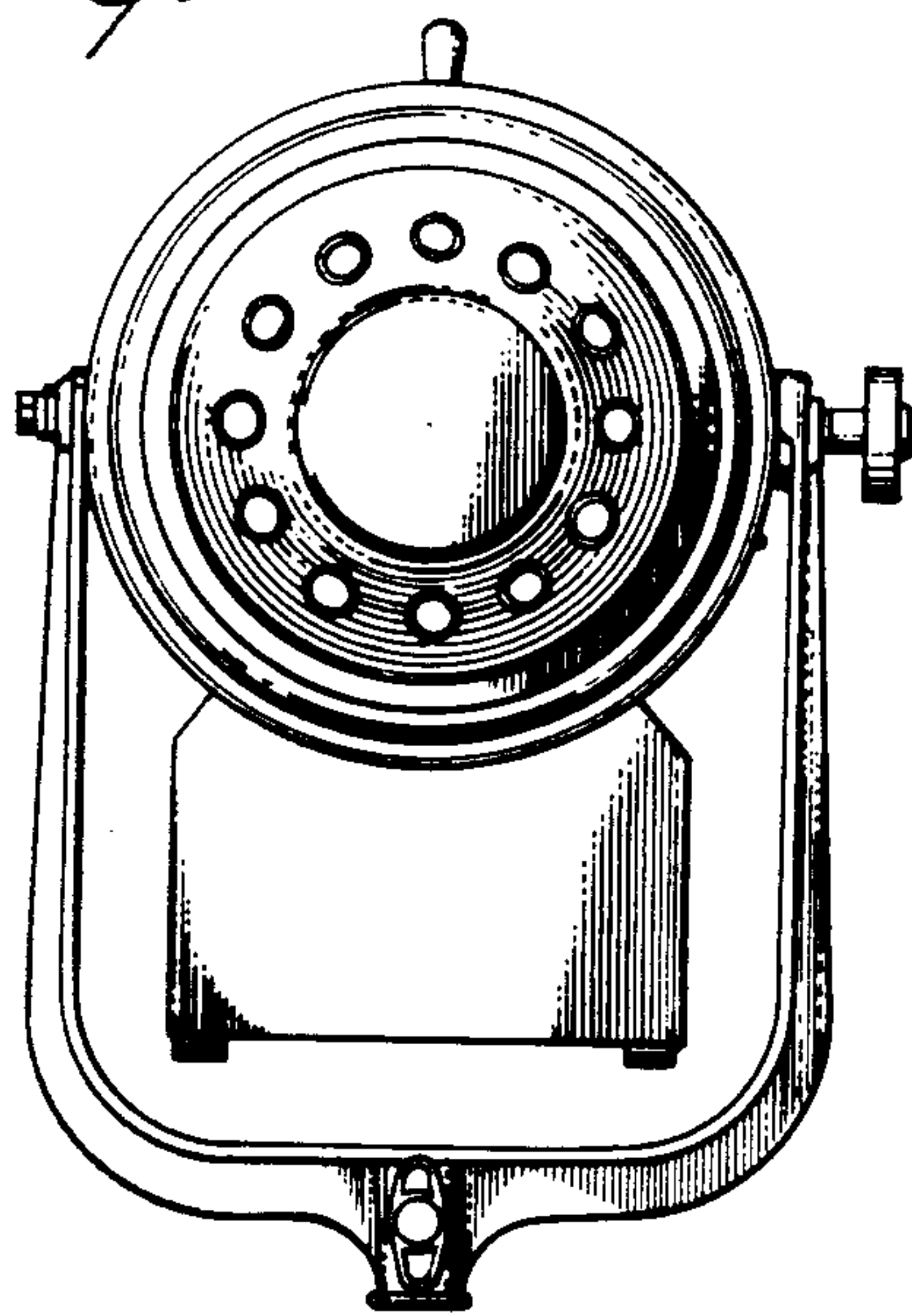
FIG. 1 is a perspective view of the top, front and left side of a spot lamp showing my new design; FIG. 2 is a right side view thereof; FIG. 3 is a rear elevational view; and FIG. 4 is a bottom plan view of the same.



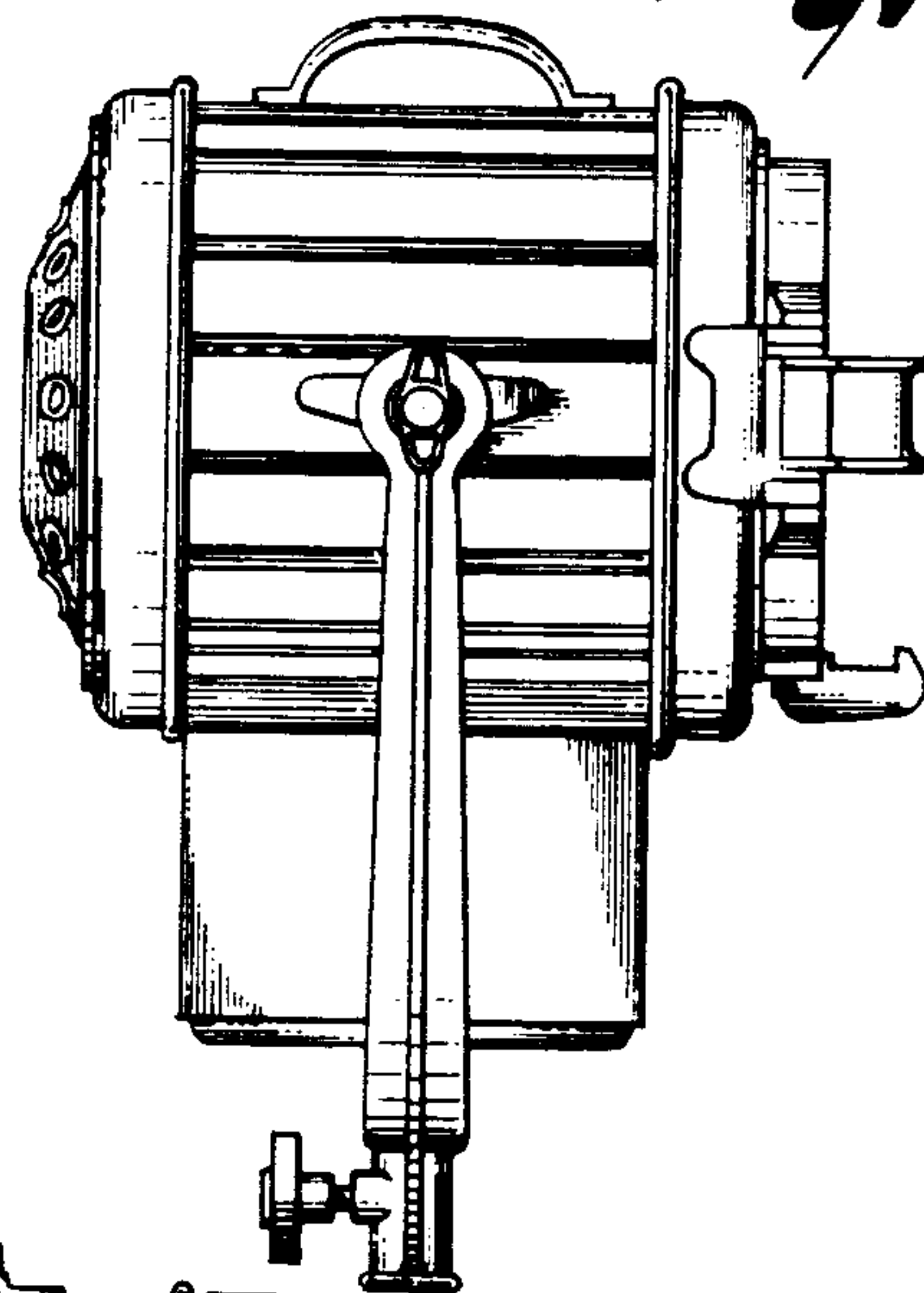


*Fig. 1*

*Fig. 3*



*Fig. 2*



*Fig. 4*

