

[54] **WINGED NEEDLE**  
 [75] Inventor: **Lee K. Kulle, Mundelein, Ill.**  
 [73] Assignee: **Baxter Travenol Laboratories, Inc., Deerfield, Ill.**  
 [\*\*] Term: **14 Years**  
 [21] Appl. No.: **890,424**  
 [22] Filed: **Mar. 27, 1978**  
 [51] Int. Cl. .... **D24-02**  
 [52] U.S. Cl. .... **D24/52**  
 [58] Field of Search ..... **D24/52, 25, 54, 99; 128/214 R, 221, 215**

3,640,275 2/1972 Burke et al. .... 128/214 R  
 3,670,727 6/1972 Reiterman ..... 128/214 R  
 3,782,383 1/1974 Thompson et al. .... 128/214 R

**FOREIGN PATENT DOCUMENTS**

2312920 3/1976 France ..... D24/52

*Primary Examiner*—Bernard Ansher  
*Attorney, Agent, or Firm*—Paul C. Flattery

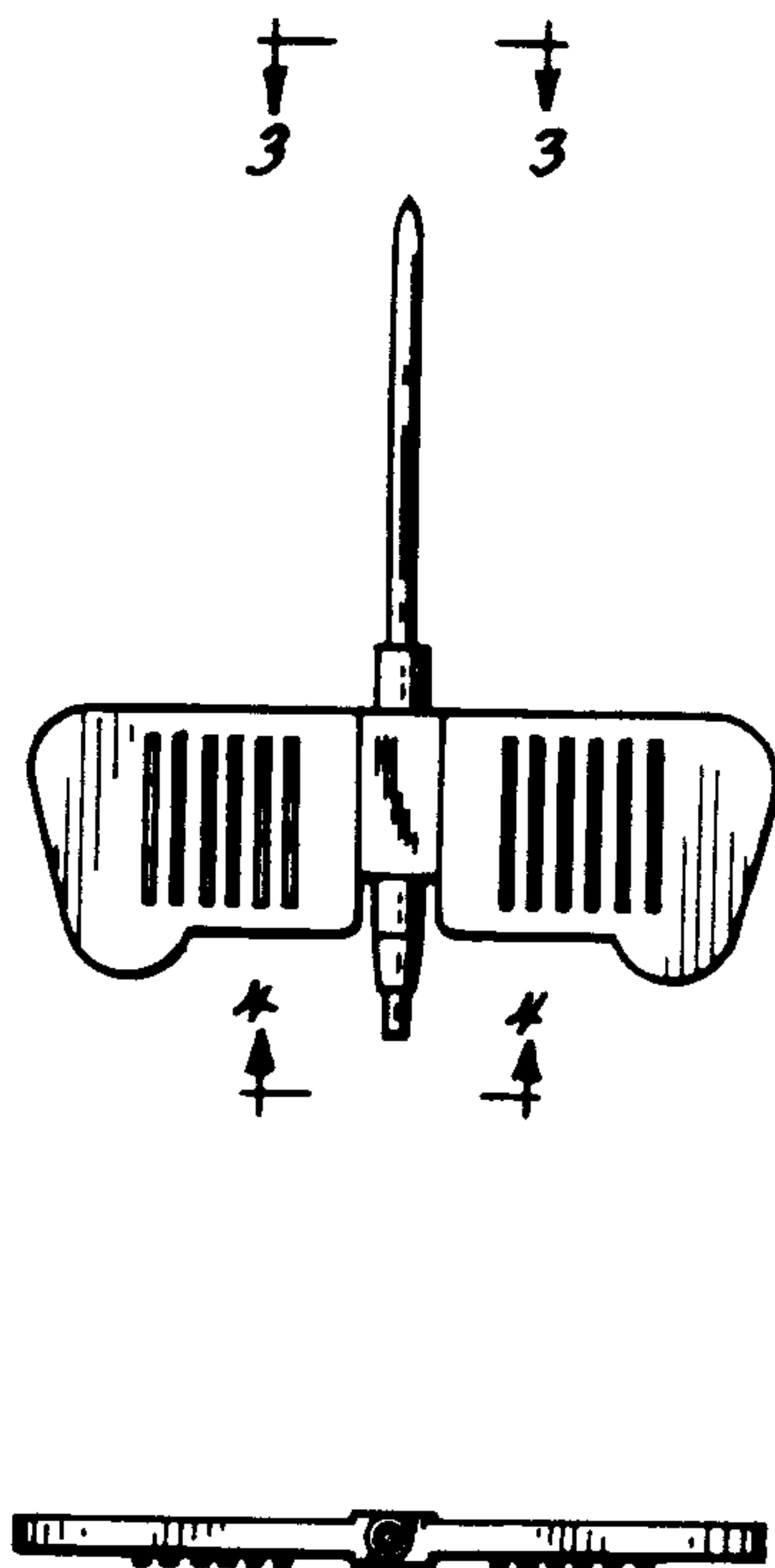
[57] **CLAIM**

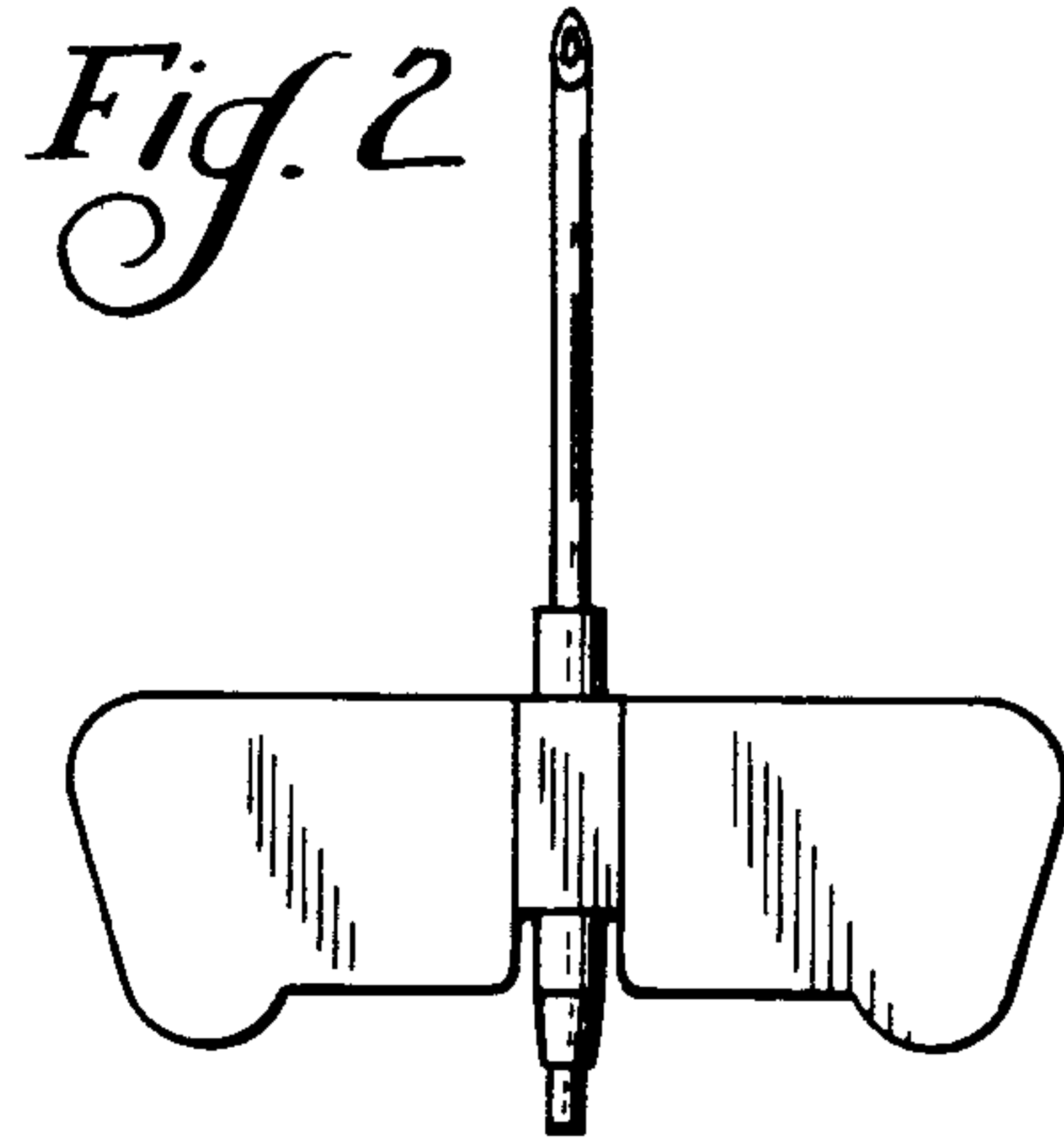
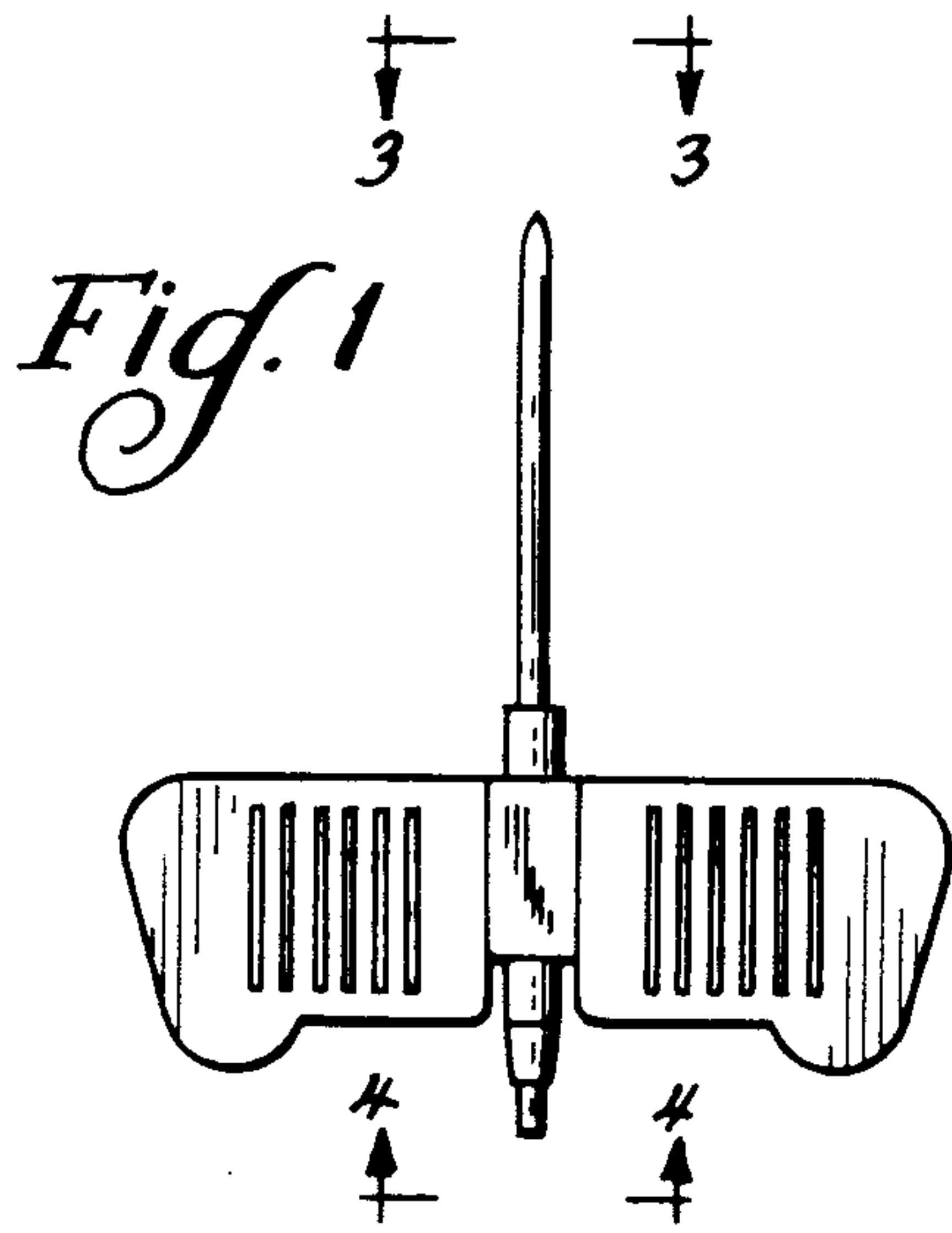
The ornamental design for a winged needle, substantially as shown and described.

**DESCRIPTION**

FIG. 1 is a bottom plan view of the winged needle embodying my new design;  
 FIG. 2 is a top plan view of the winged needle of FIG. 1;  
 FIG. 3 is an end view of the winged needle of FIG. 1 along the lines 3—3;  
 FIG. 4 is an end view of the needle of FIG. 1 along the lines 4—4; and  
 FIG. 5 is side view of the winged needle of FIG. 1.

[56] **References Cited**  
**U.S. PATENT DOCUMENTS**  
 D. 217,702 5/1970 Volk et al. .... D24/52  
 D. 217,795 6/1970 Spaven et al. .... D24/52  
 D. 223,043 2/1972 Raines ..... D24/52  
 D. 247,975 5/1978 Luther ..... D24/25  
 3,064,648 11/1962 Bujan ..... 128/214 R  
 3,538,915 11/1970 Frampton ..... 128/221 X





*Fig. 3*



*Fig. 4*



*Fig. 5*