

[54] TOILET CHAIR

[76] Inventor: Cyril E. Hicks, 3386 Ormond Rd., Cleveland, Ohio 44118

[**] Term: 14 Years

[21] Appl. No.: 897,528

[22] Filed: Apr. 17, 1978

[51] Int. Cl. D23-02

[52] U.S. Cl. D23/48; D6/73

[58] Field of Search D23/48-53, D23/65-67, 69-71; D6/73; 4/134, 185 L, 185 S, 257

[56] References Cited

U.S. PATENT DOCUMENTS

D. 179,397	12/1956	Mills	D6/73
D. 234,769	4/1975	Thomas	D23/48
D. 236,345	8/1975	Thomas	D23/48
2,642,117	6/1953	Glauber	4/254 X
2,773,542	12/1956	Chasin	4/254 X

2,903,714	9/1959	Grondona	4/254 X
3,011,179	12/1961	Hussey	4/254
3,040,335	6/1962	Gellmann	4/185 S
3,512,187	5/1970	Thomas et al.	4/254
3,769,638	11/1973	Clanan	4/134
3,829,908	8/1974	Thomas	4/134 X

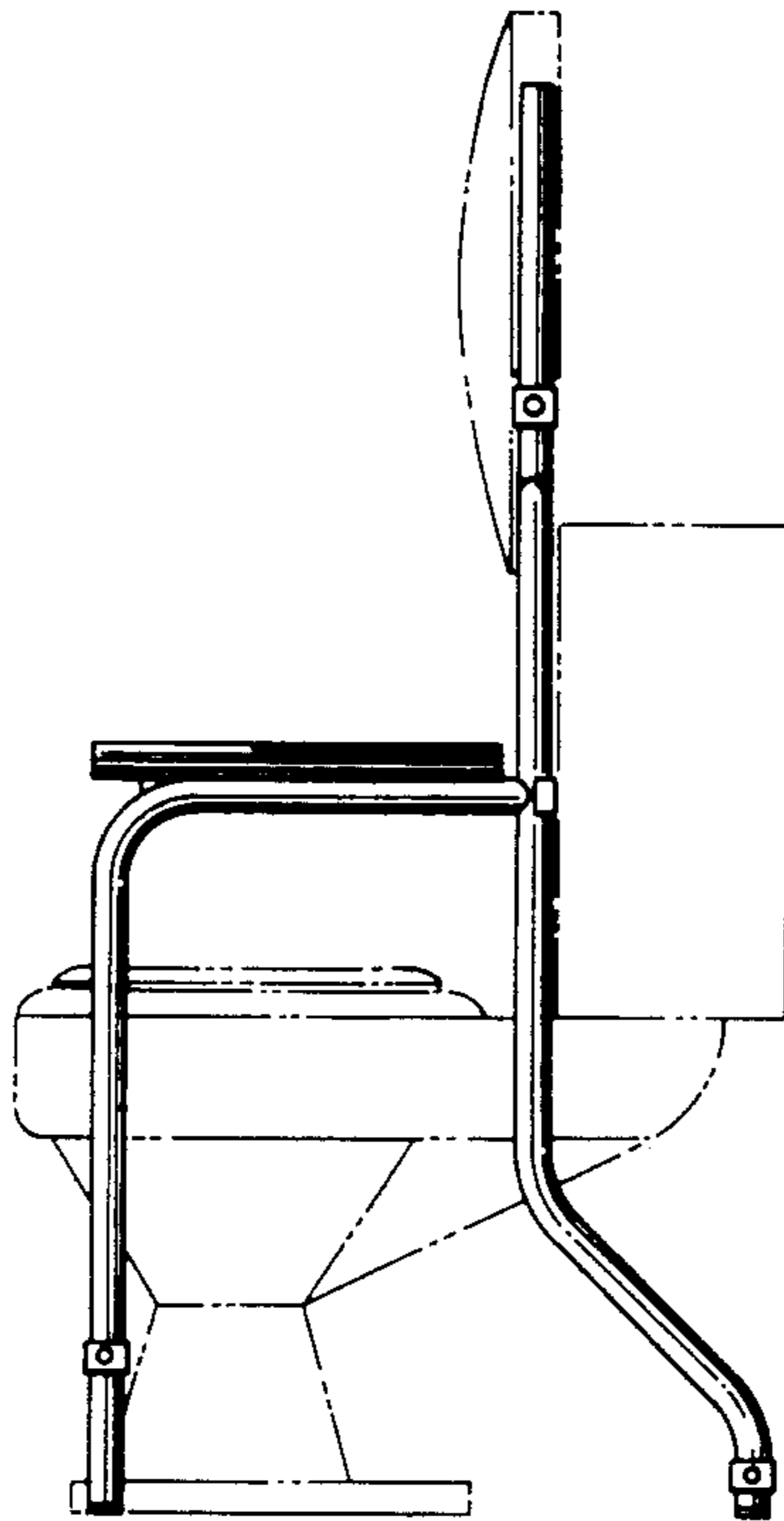
Primary Examiner—James R. Largen
Attorney, Agent, or Firm—Robert J. Fay

[57] CLAIM

The ornamental design for a toilet chair, as shown and described.

DESCRIPTION

FIG. 1 is a right side elevational view of a toilet chair showing my new design;
FIG. 2 is a front elevational view thereof;
FIG. 3 is a top plan view thereof;
FIG. 4 is a rear elevational view thereof;
FIG. 5 is a left side elevational view thereof; and
FIG. 6 is a bottom plan view thereof.
The broken line representation of a toilet and a back cushion in FIG. 1 is for purposes of illustration only.



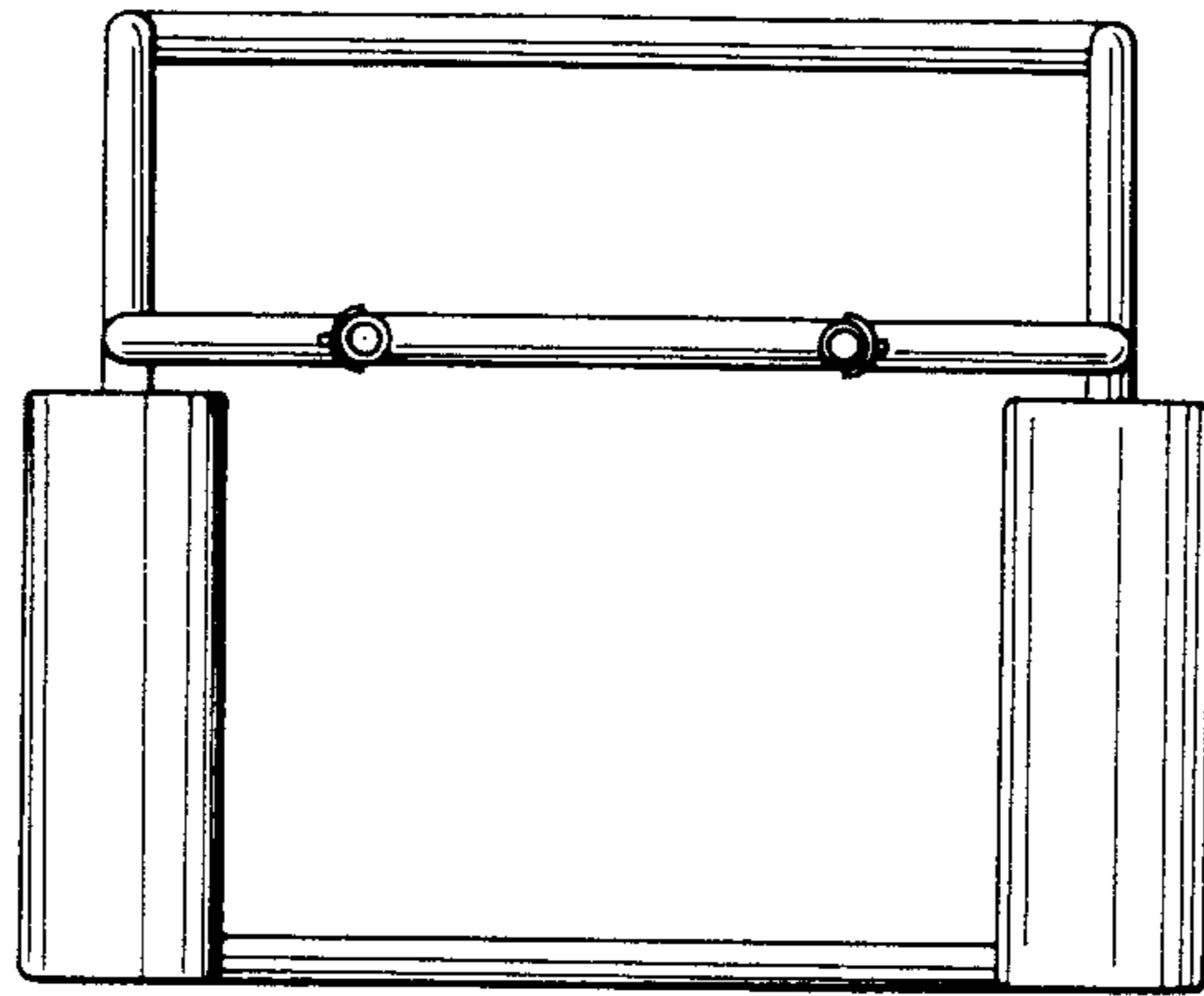


FIG. 3

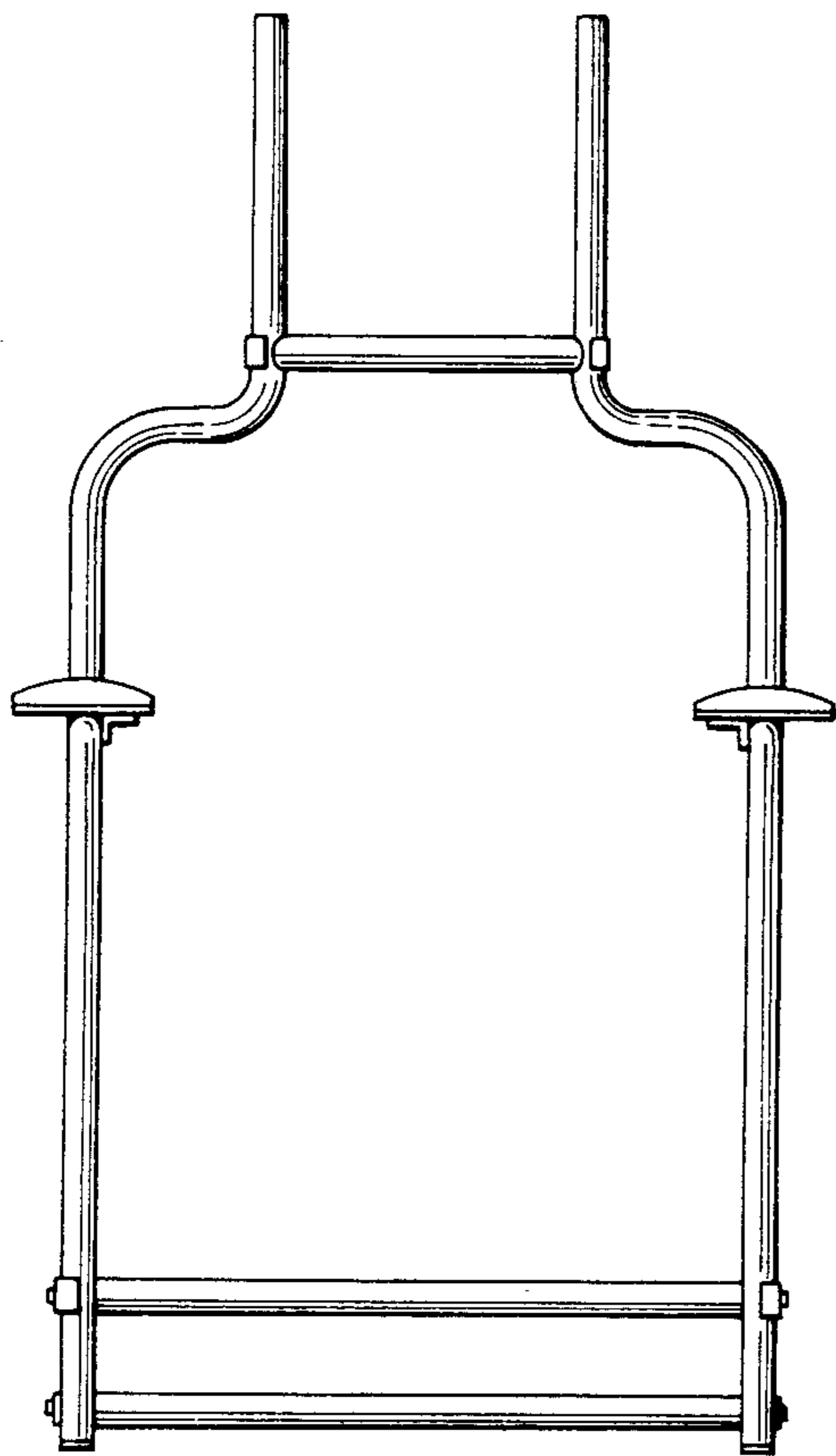


FIG. 2

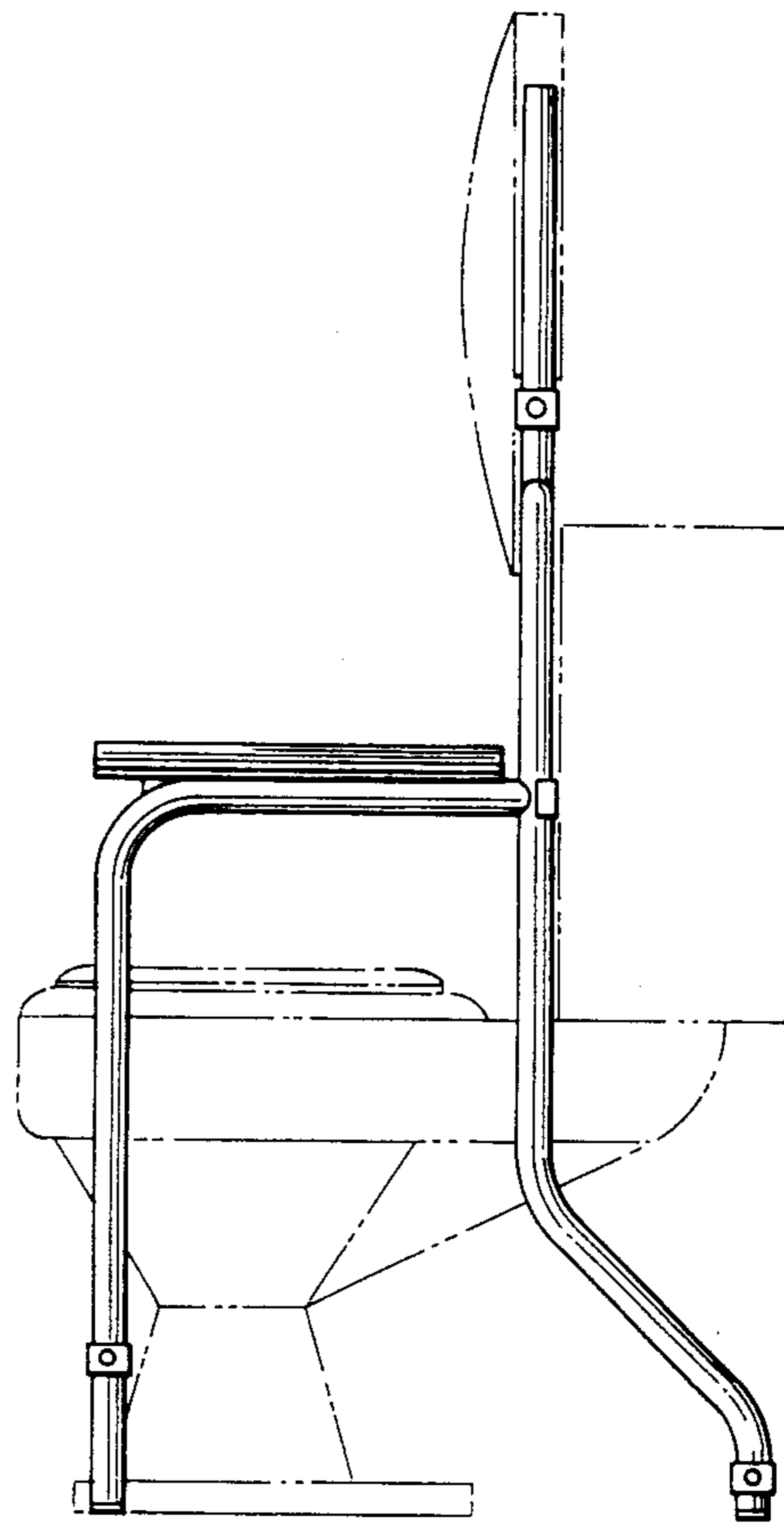


FIG. 1

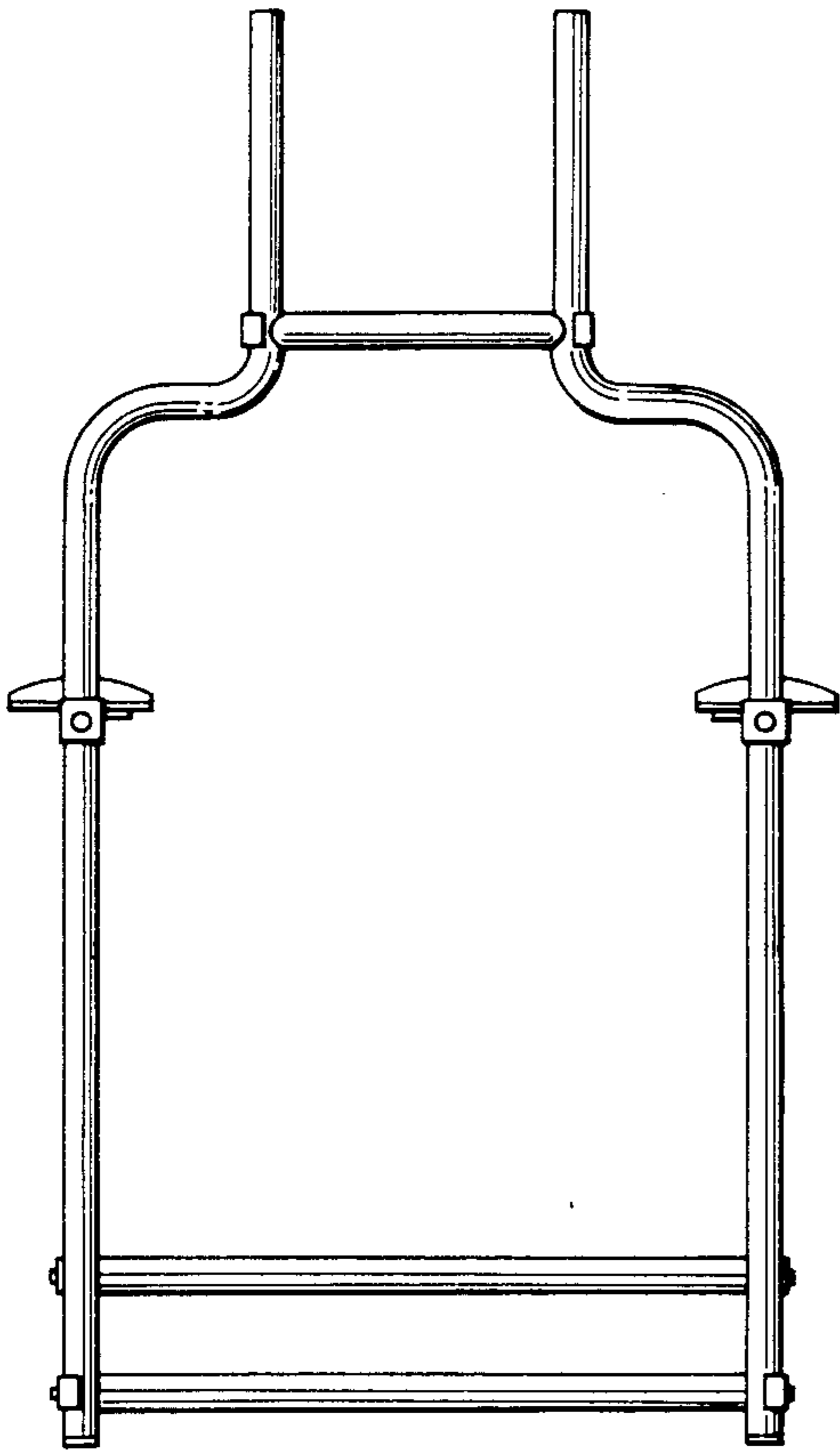


FIG. 4

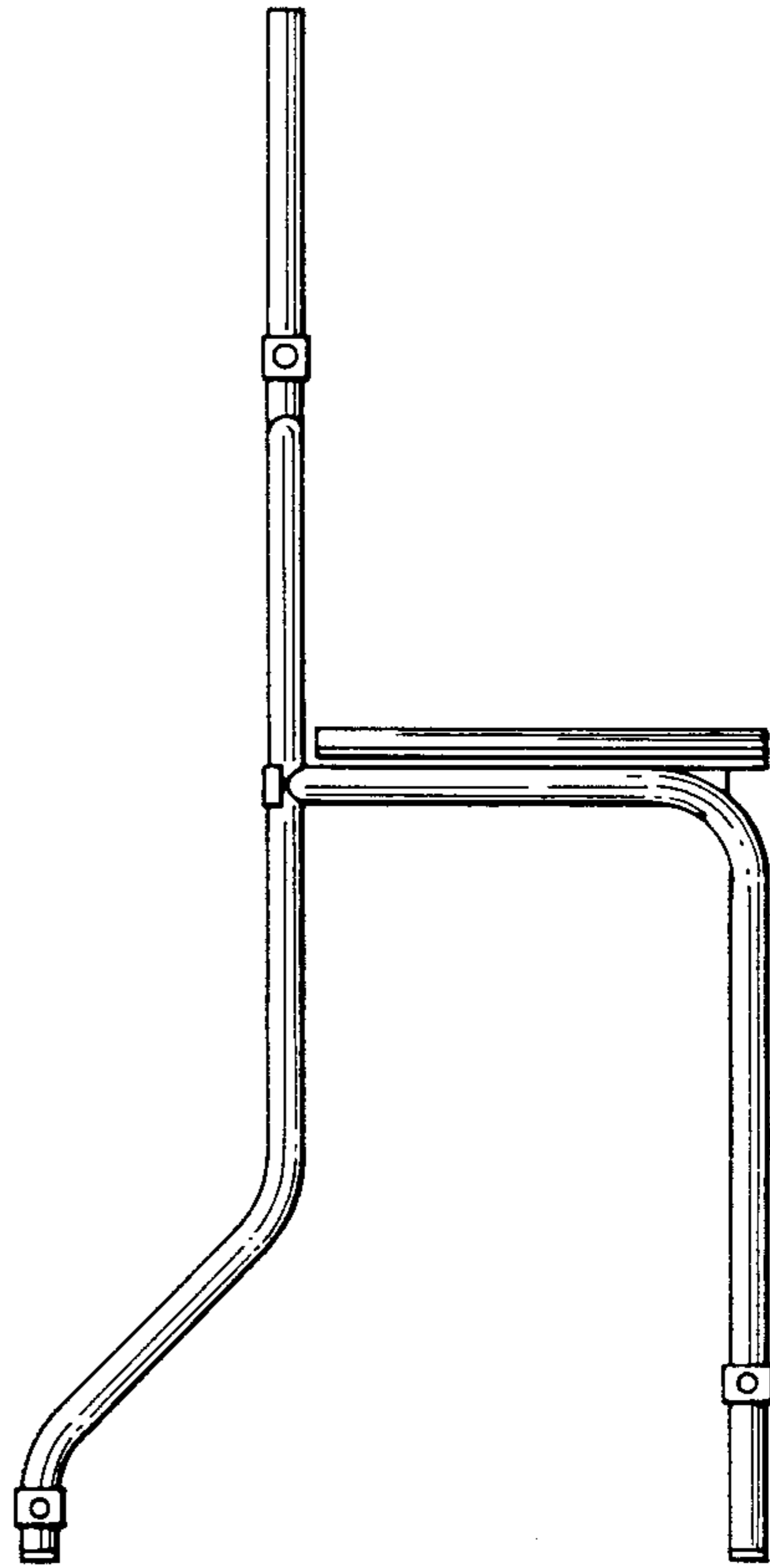


FIG. 5

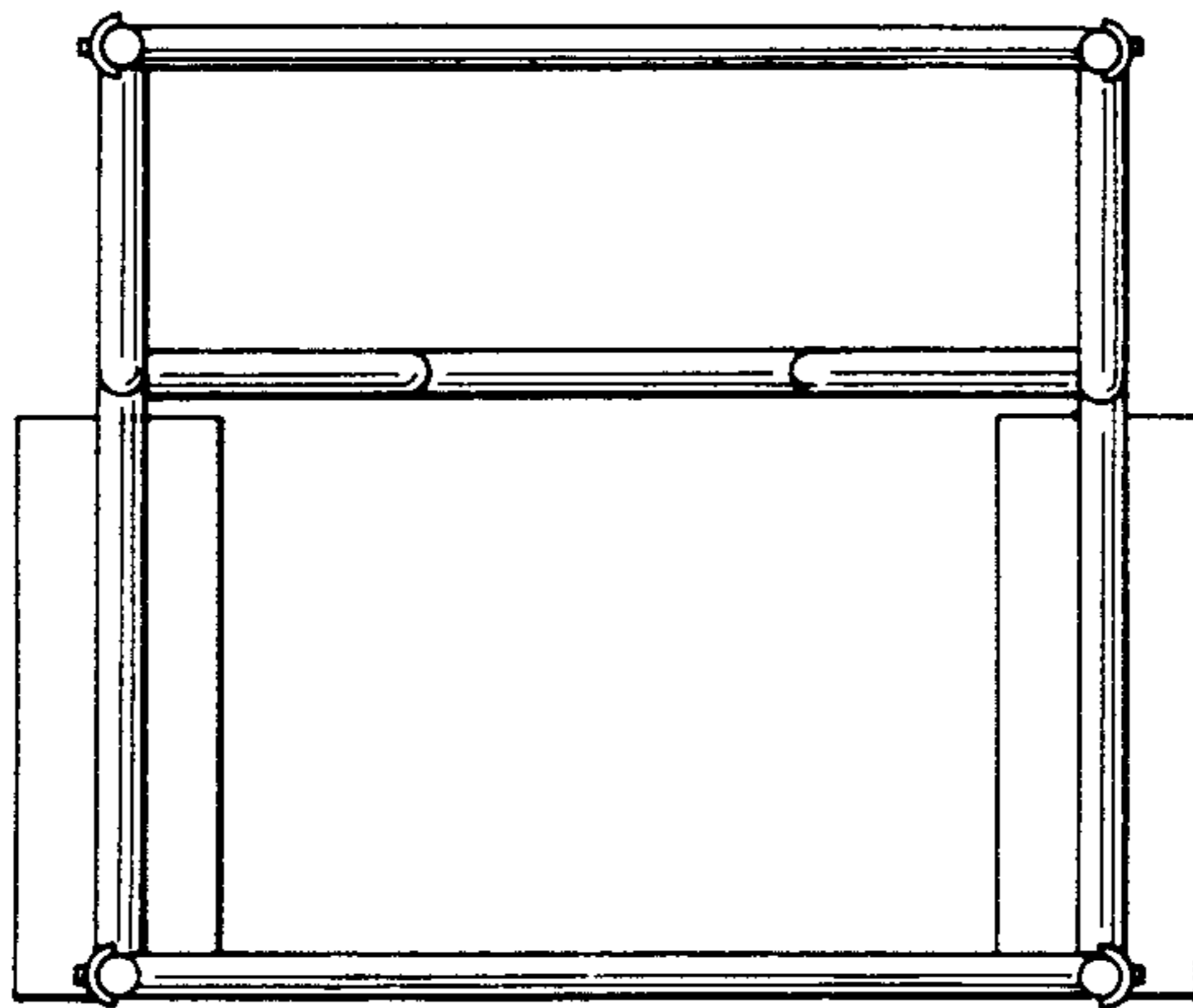


FIG. 6