

[54] AIR FOOT PUMP

[76] Inventor: Edwin L. Schwartz, 16604 Park Lane Pl., Los Angeles, Calif. 90049

[**] Term: 14 Years

[21] Appl. No.: 946,666

[22] Filed: Sep. 28, 1978

[51] Int. Cl. D23-01

[52] U.S. Cl. D23/14

[58] Field of Search D23/14-16; 92/118; 417/464, 903

[56] References Cited

U.S. PATENT DOCUMENTS

D. 114,561	5/1939	Russell	D23/14
D. 163,329	5/1951	Russell	D23/14
D. 163,330	5/1951	Russell	D23/14
1,160,528	11/1915	Pilkington	417/903 X
1,236,479	8/1917	Peteler	417/903 X
1,280,511	10/1918	Macbeth	417/903 X
1,370,993	3/1921	Perkins	417/903 X
1,382,603	6/1921	Wheeler	417/903 X
1,831,379	11/1931	Creser	417/903 X
2,200,012	5/1940	Russell et al.	417/464

2,781,166 2/1957 Flood et al. 417/464

FOREIGN PATENT DOCUMENTS

1471884 4/1977 United Kingdom 417/903

Primary Examiner—James R. Largen
Attorney, Agent, or Firm—Robert E. Geauque

[57] CLAIM

The ornamental design for an air foot pump, substantially as shown and described.

DESCRIPTION

FIG. 1 is a perspective view of an air foot pump showing my new design;
FIG. 2 is a front elevational view thereof;
FIG. 3 is a right side elevational view thereof, the left side being a mirror image of the right side shown;
FIG. 4 is a rear elevational view thereof;
FIG. 5 is a top plan view thereof;
FIG. 6 is a bottom plan thereof; and
FIG. 7 is another perspective view thereof, showing the foot pedal in its locked down position.
The fragmentary broken line showing of an air inflation tube in FIGS. 1, 2, 3, 5, 6 and 7 is for purposes of illustration only.

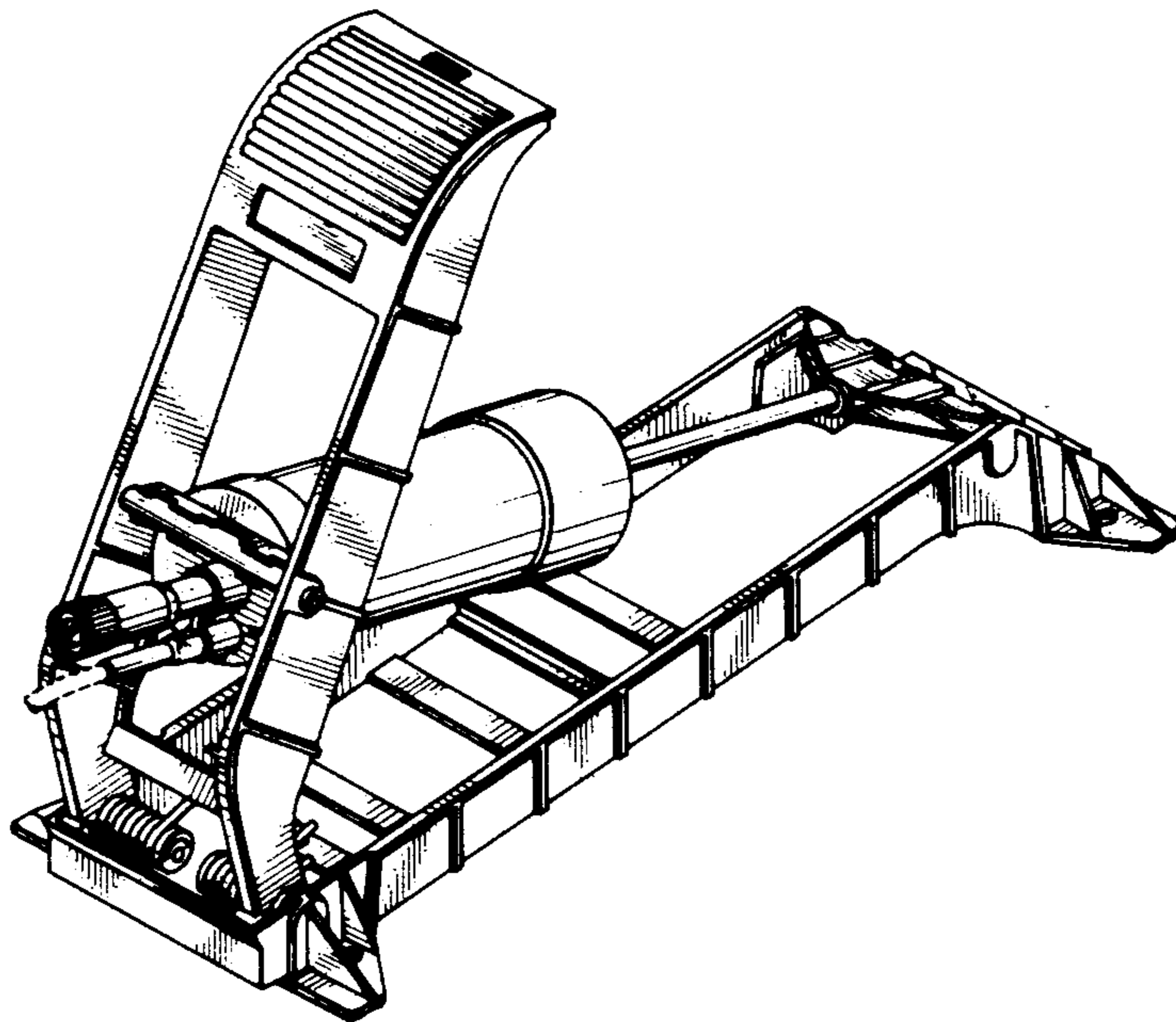


Fig. 1.

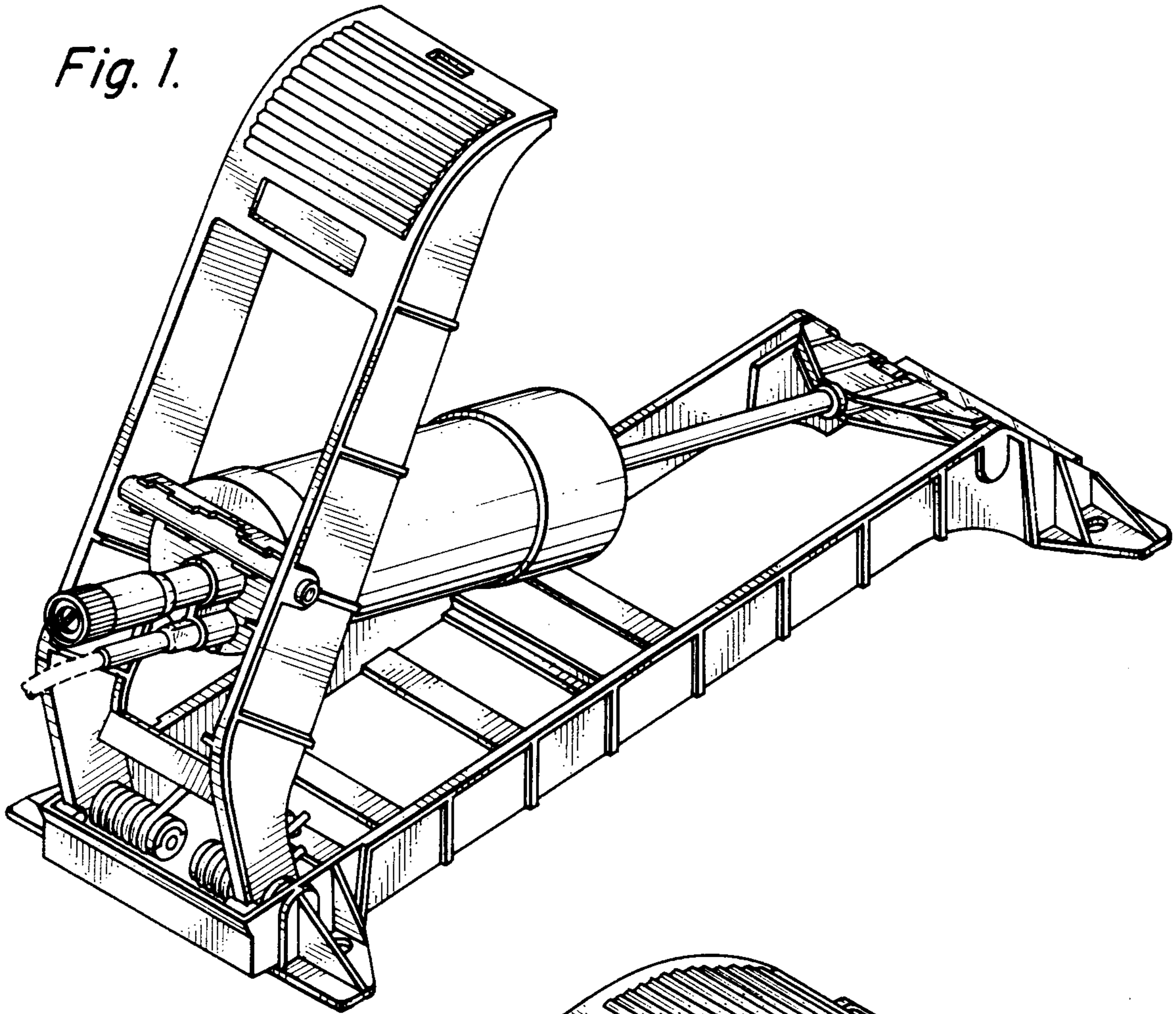


Fig. 7.

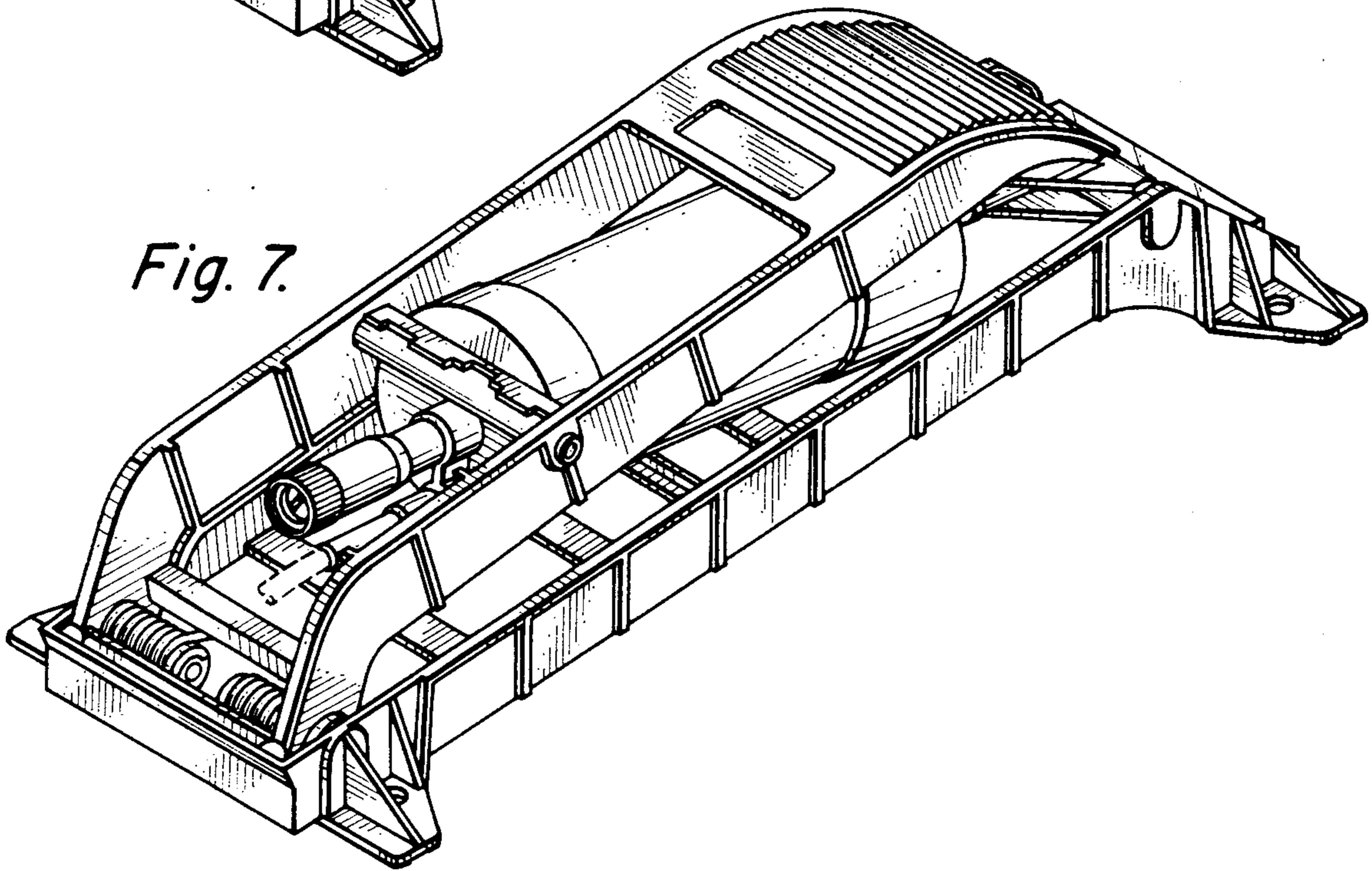


Fig. 2.

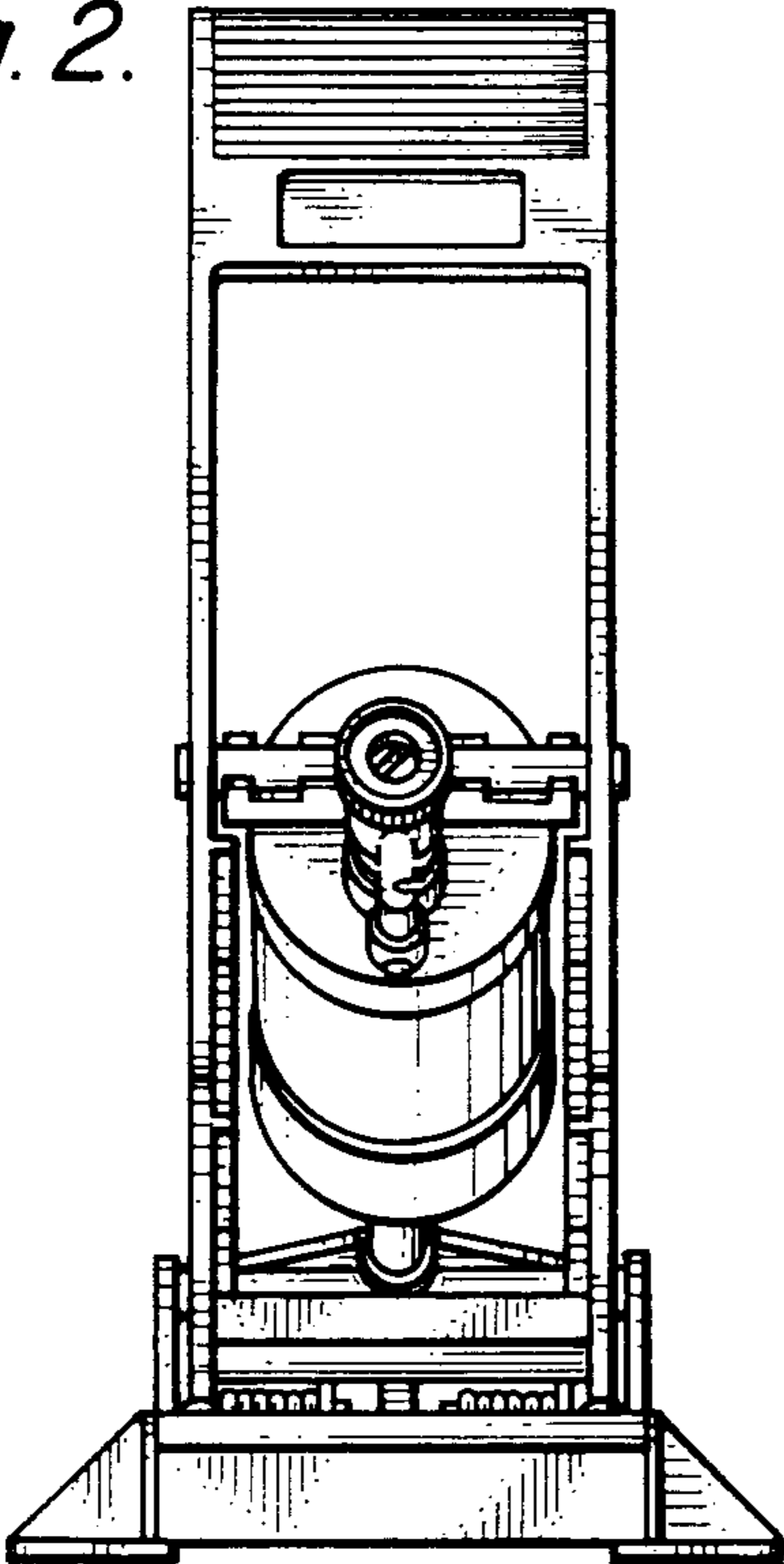


Fig. 4.

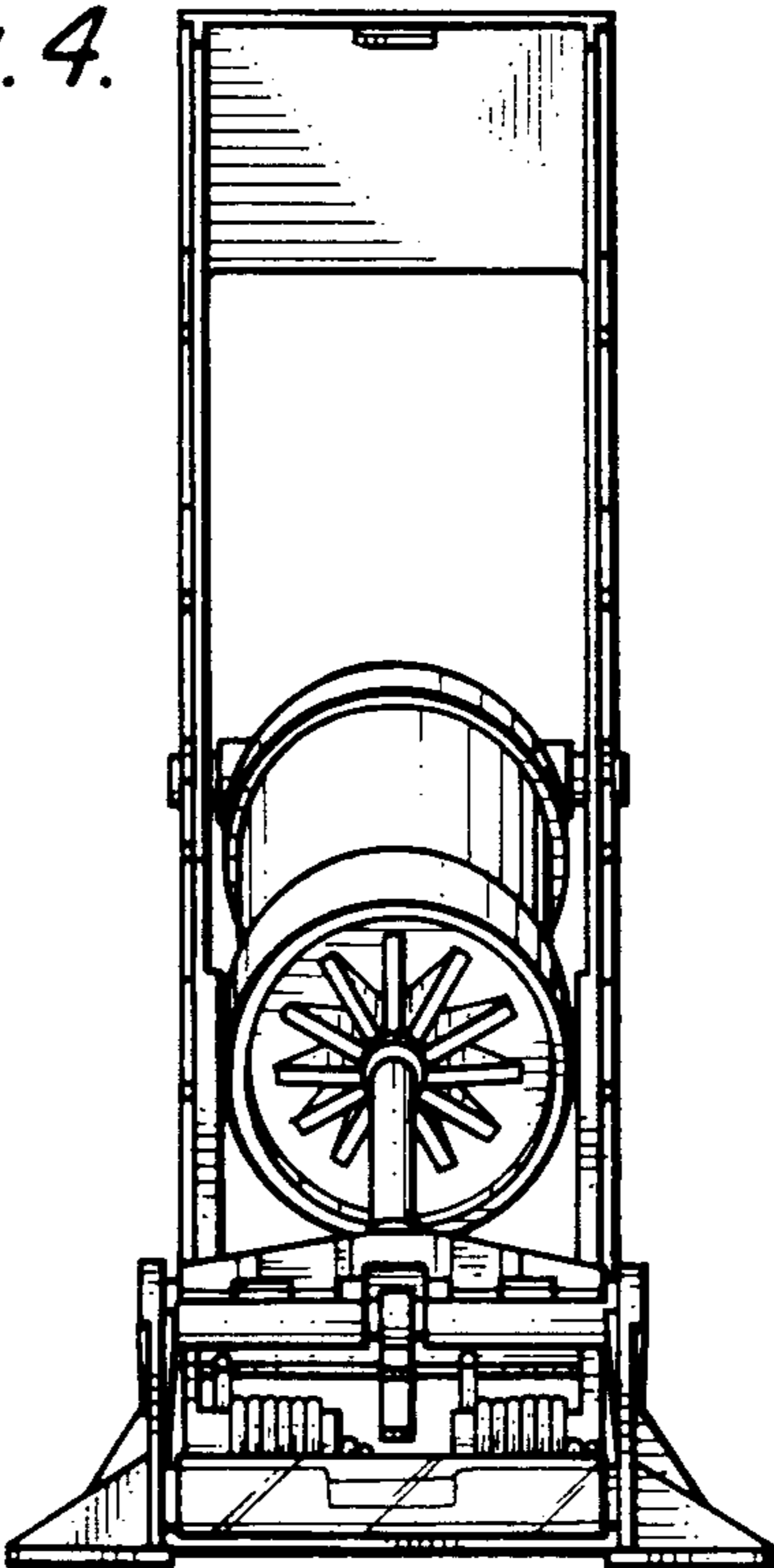


Fig. 3.

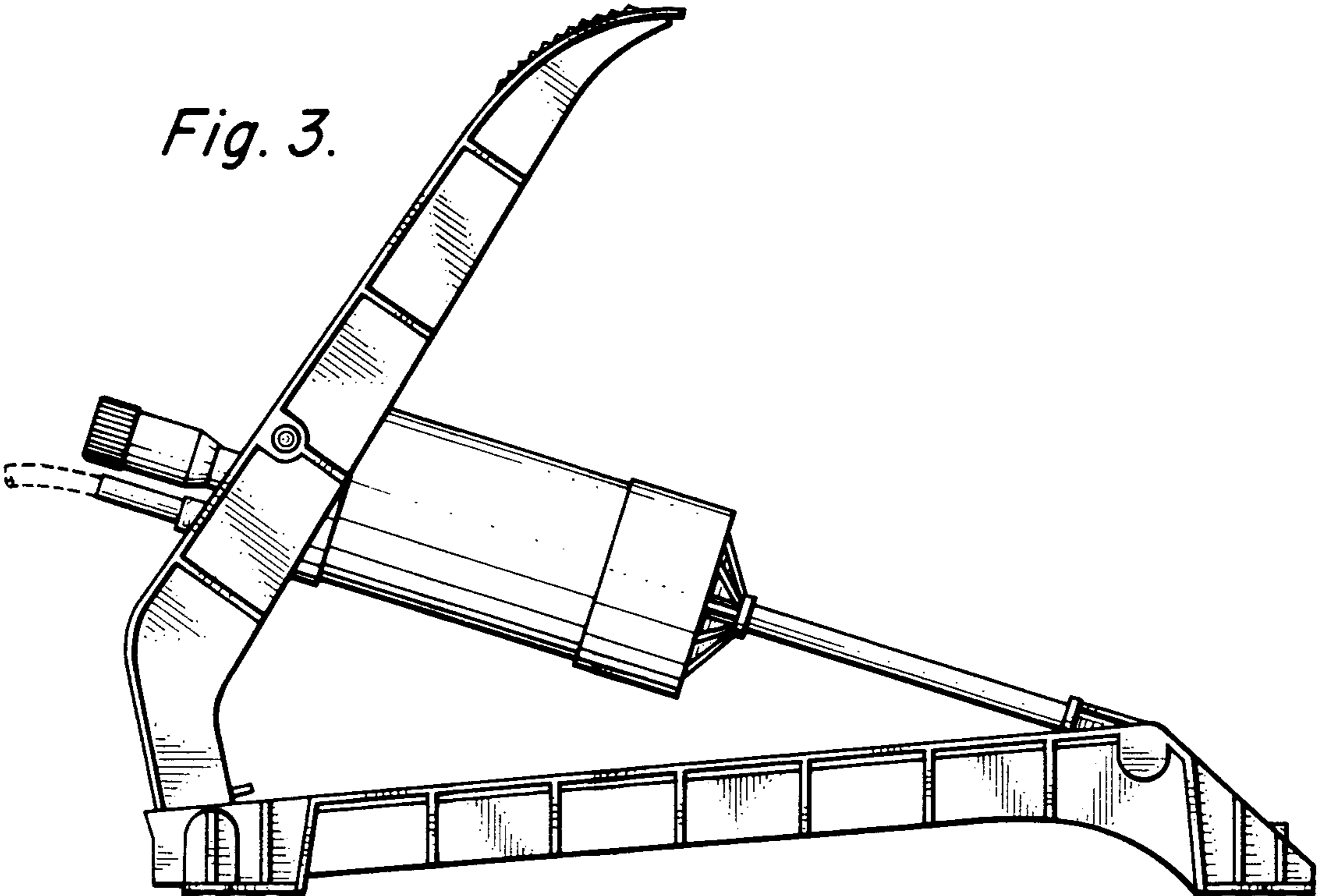


Fig. 5.

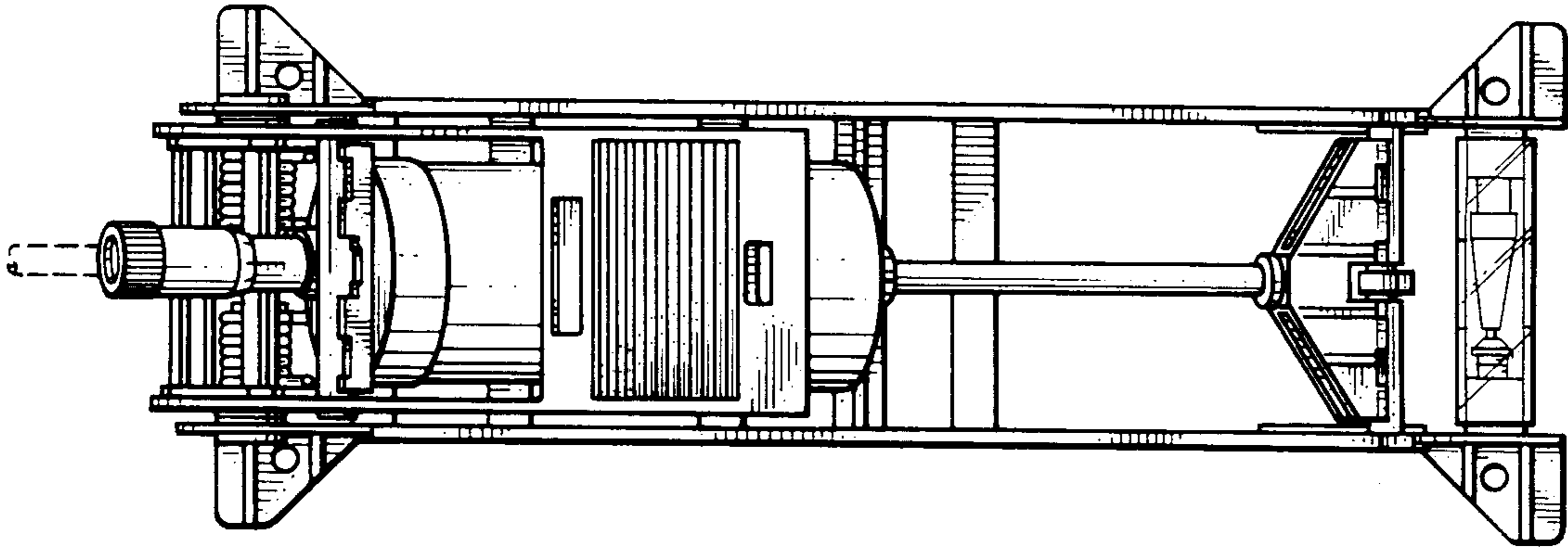


Fig. 6.

