

[54] SKATEBOARD RAMP

[75] Inventors: **Richard D. Sheehan**, Eagle Rock; **R. J. Louis**, Chatsworth, both of Calif.

[73] Assignee: **R. J. Louis Enterprises, Inc.**, Chatsworth, Calif.

[**] Term: **14 Years**

[21] Appl. No.: **942,176**

[22] Filed: **Sep. 13, 1978**

[51] Int. Cl. **D21--03**

[52] U.S. Cl. **D21/244**

[58] Field of Search **D21/244; 272/56.5**

[56] **References Cited**
PUBLICATIONS

Skateboarder, Jan., 1978, p. 197, High Roller Advt., center illustration, skateboard ramp.
Skateboarder, Mar., 1978, p. 118, ramp.

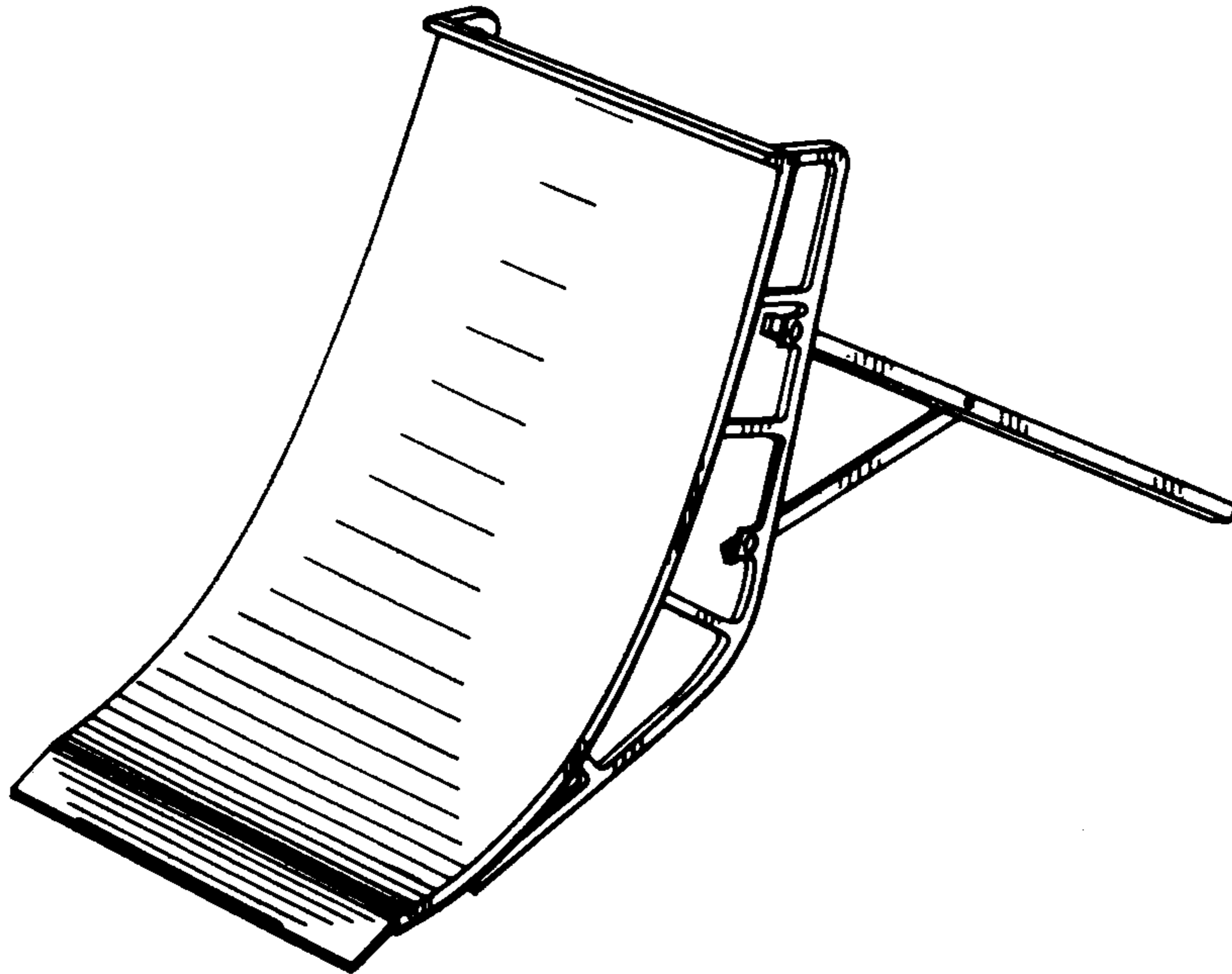
Primary Examiner—Melvin B. Feifer
Attorney, Agent, or Firm—Robert H. Fraser

[57] **CLAIM**

The ornamental design for a skateboard ramp, substantially as shown and described.

DESCRIPTION

FIG. 1 is a perspective view of a skateboard ramp showing our new design;
FIG. 2 is a side elevation view thereof;
FIG. 3 is a front elevation view thereof; and
FIG. 4 is a top plan view thereof.



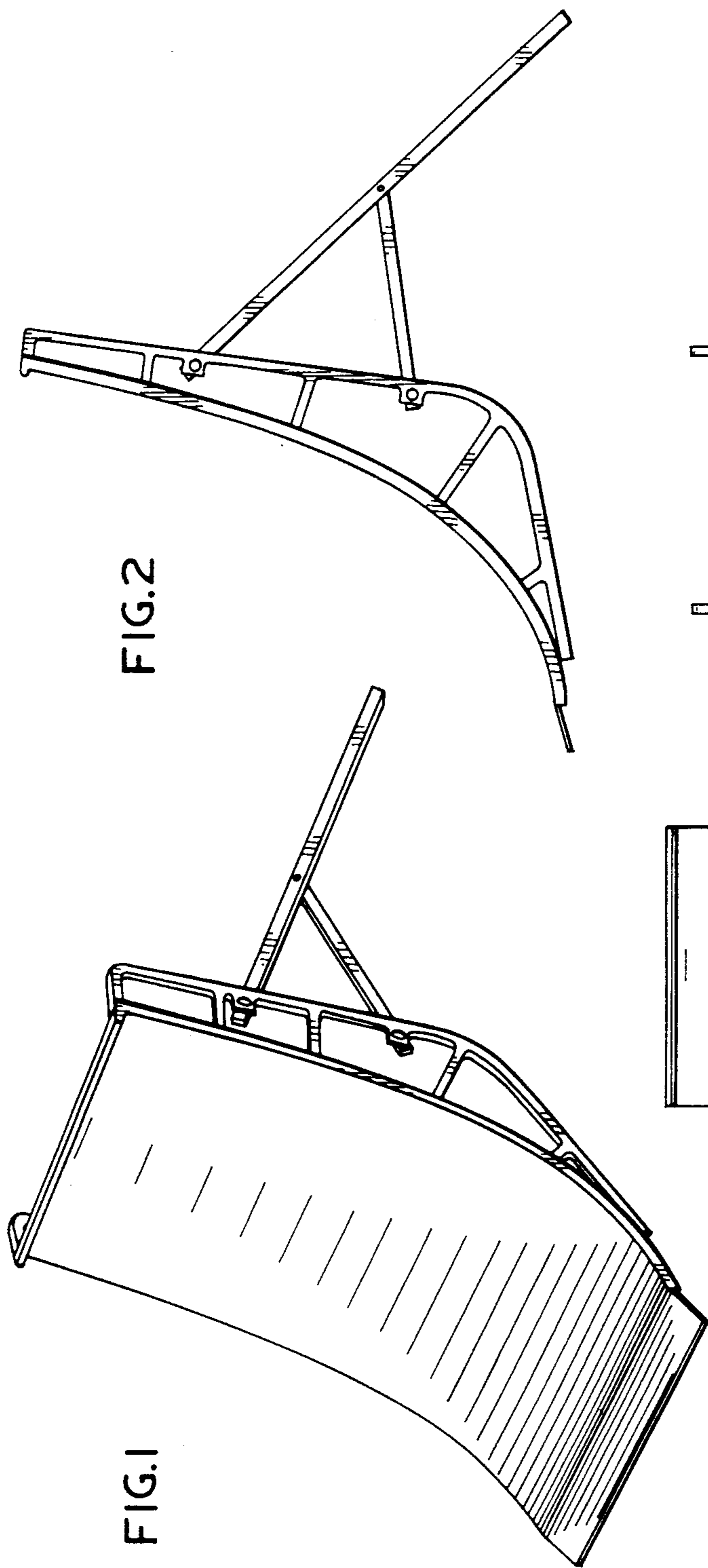


FIG. 2

FIG. 1

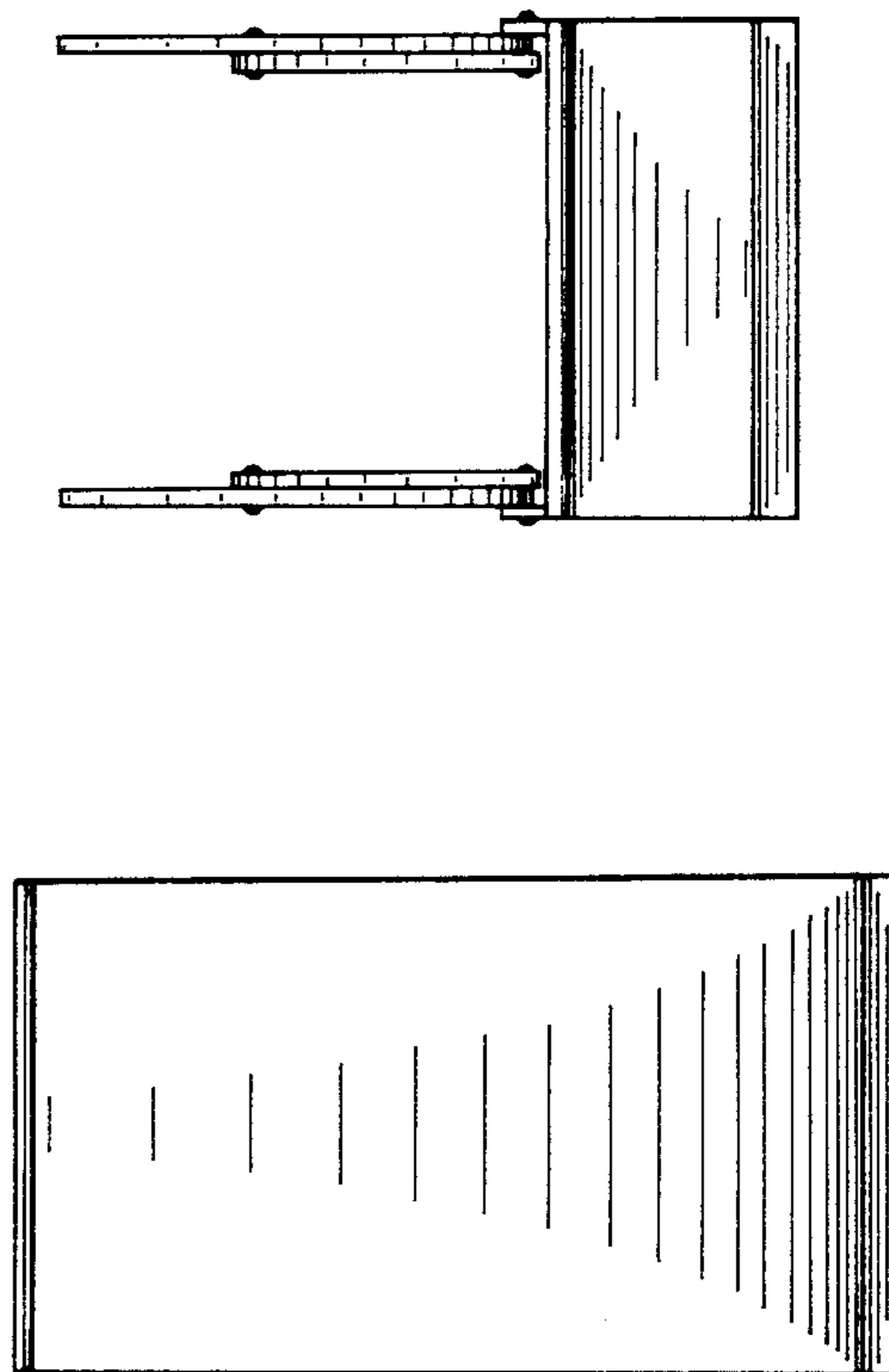


FIG. 3

FIG. 4