

[54] GOLF CLUB HEAD

[76] Inventor: Alexander S. O. MacDougall, 495
Valley Club Rd., Santa Barbara,
Calif. 93108

[**] Term: 14 Years

[21] Appl. No.: 926,257

[22] Filed: Jul. 20, 1978

[51] Int. Cl. D21-02

[52] U.S. Cl. D21/219

[58] Field of Search D21/214-220;
273/162 E, 163, 164, 167-175

[56] References Cited

U.S. PATENT DOCUMENTS

1,960,110 5/1934 Iles 273/162 E
3,708,172 1/1973 Rango 273/162 E

3,841,639 10/1974 Werner 273/162 E

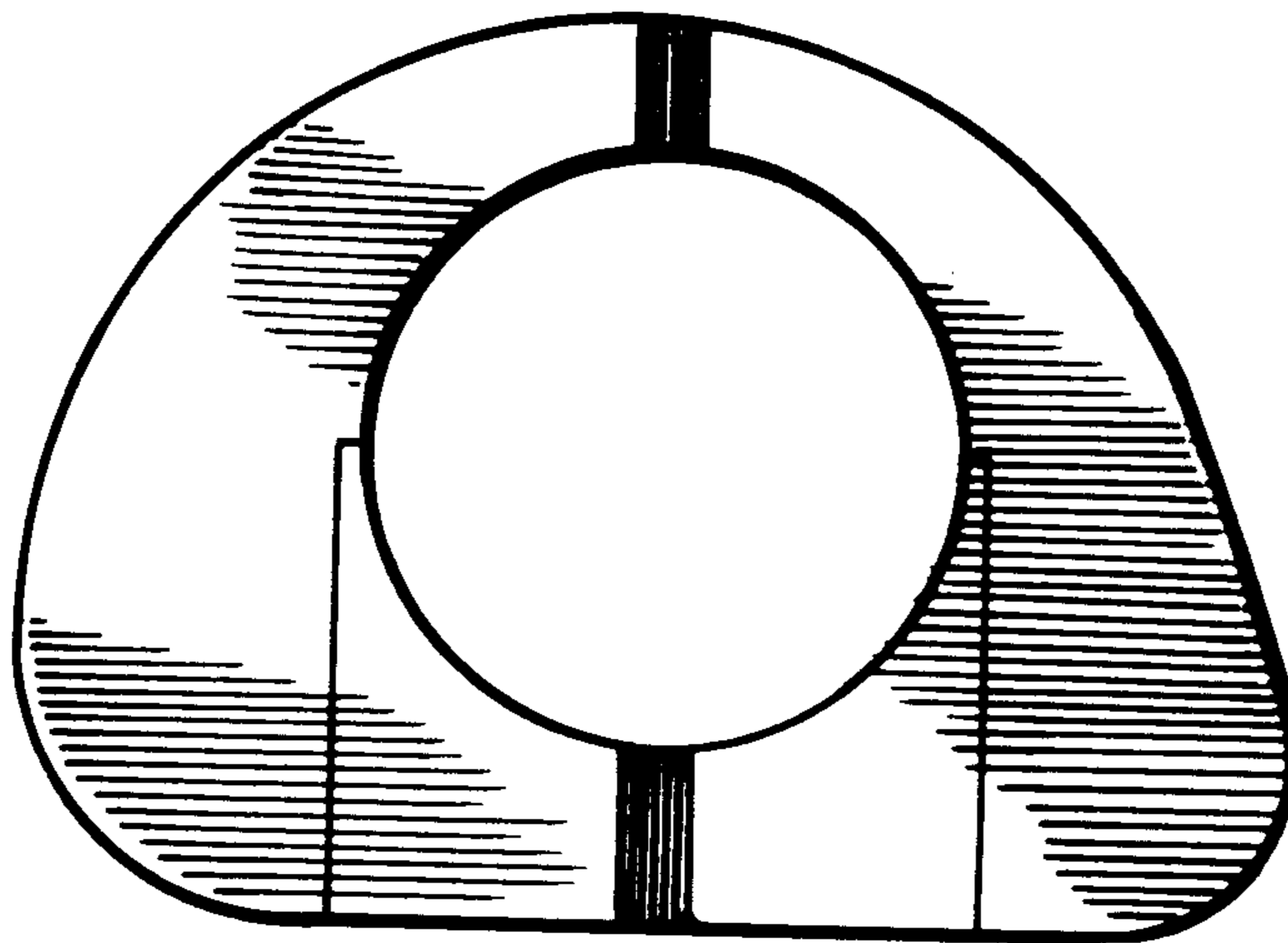
Primary Examiner—Melvin B. Feifer
Attorney, Agent, or Firm—William W. Haefliger

[57] CLAIM

The ornamental design for a golf club head, as shown and described.

DESCRIPTION

FIG. 1 is a top plan view of the golf club head.
FIG. 2 is a front elevation view of the golf club head of FIG. 1.
FIG. 3 is a side view of the golf club head as viewed from the right side of FIG. 1.
FIG. 4 is a back elevation view of the golf club head of FIG. 1.
FIG. 5 is the bottom view of the golf club head of FIG. 1.
FIG. 6 is an isometric view of the golf club head of FIG. 1.



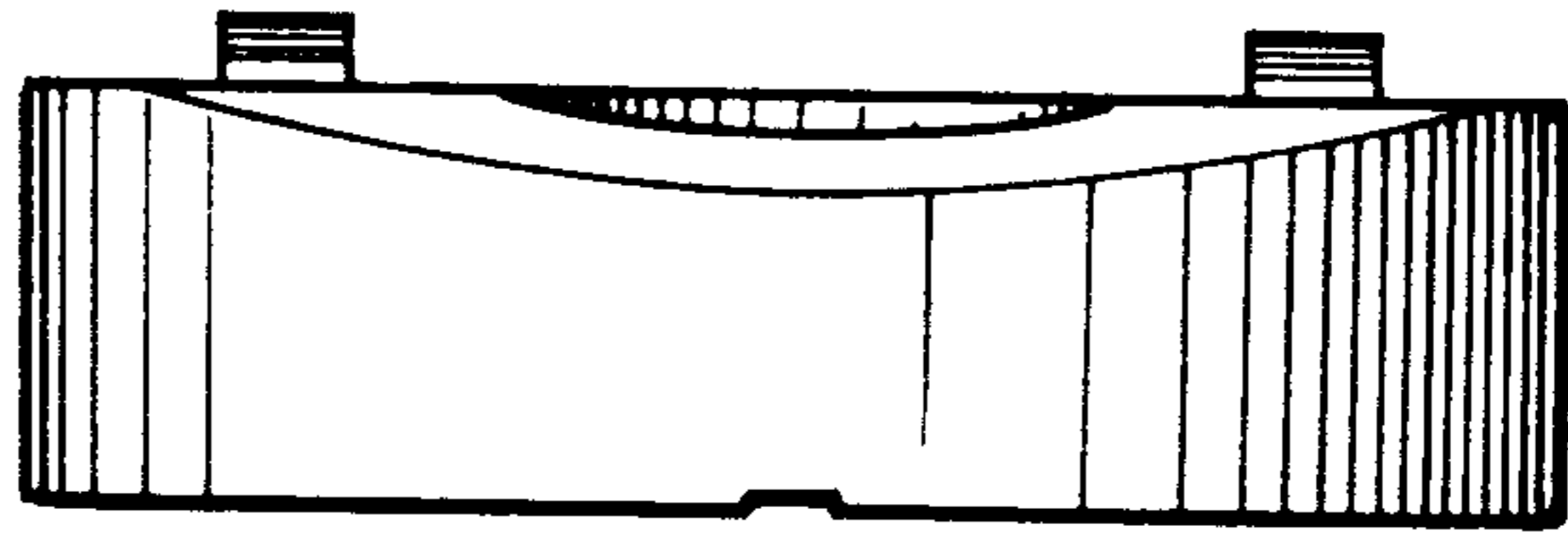


FIG. 4

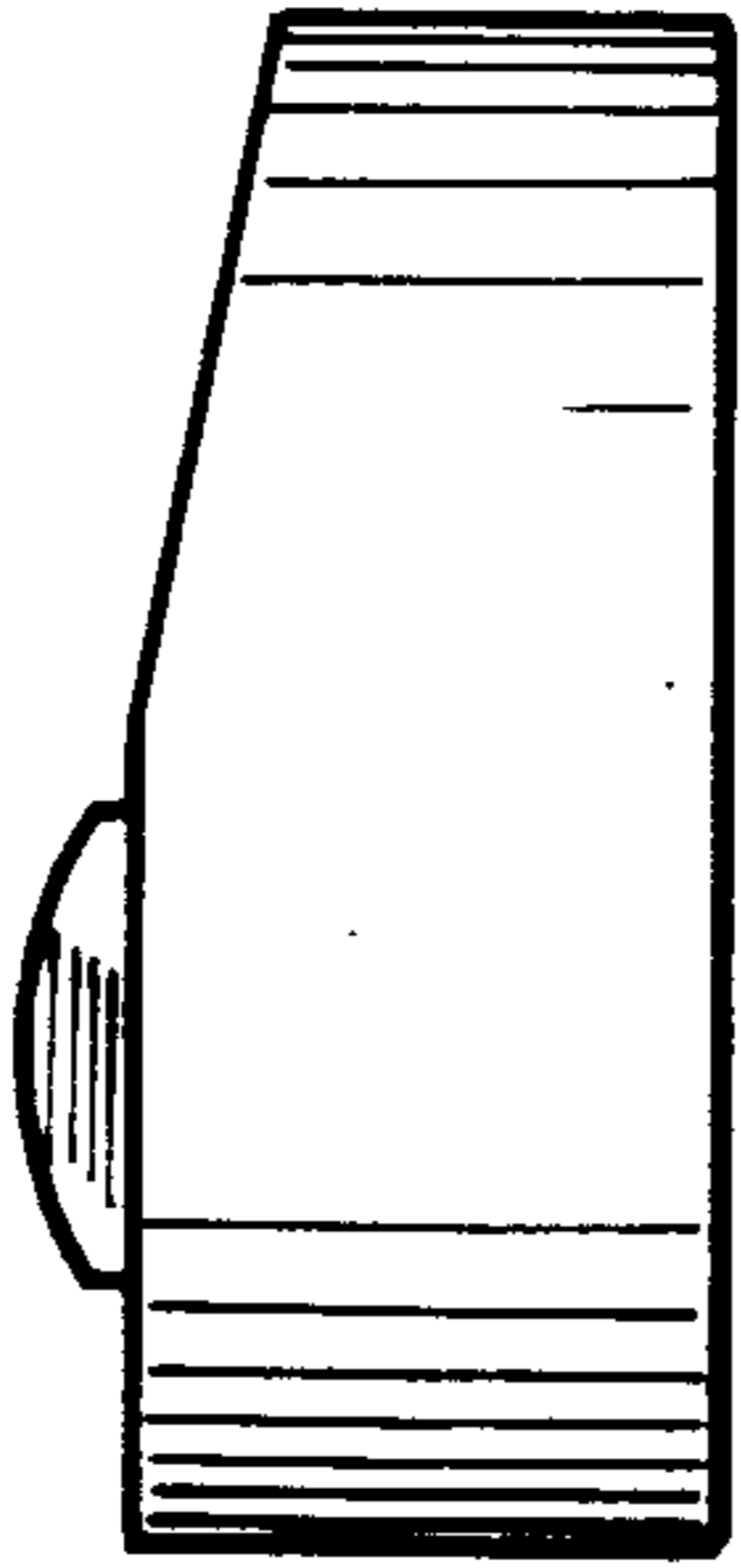


FIG. 3

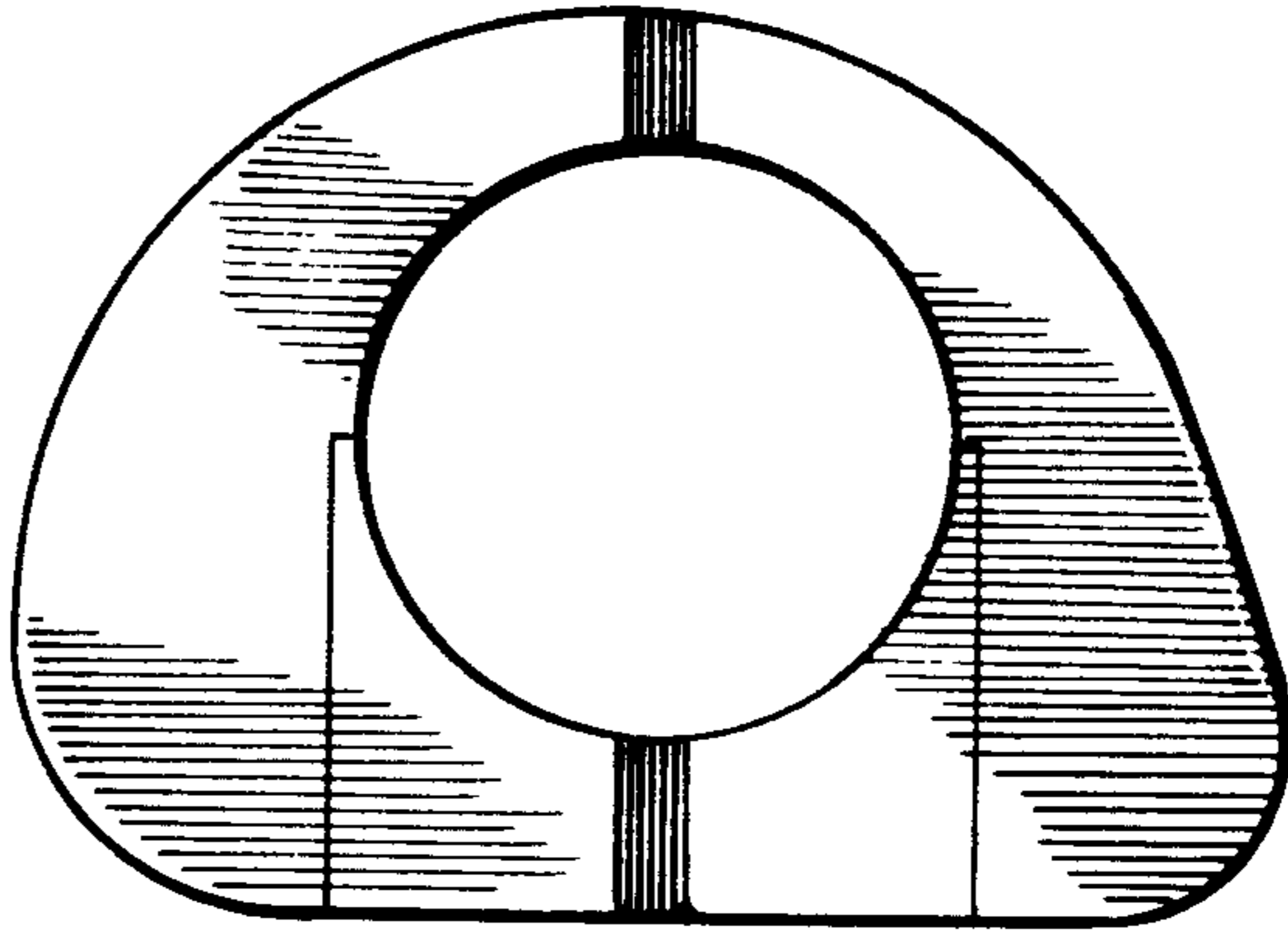


FIG. 1



FIG. 2

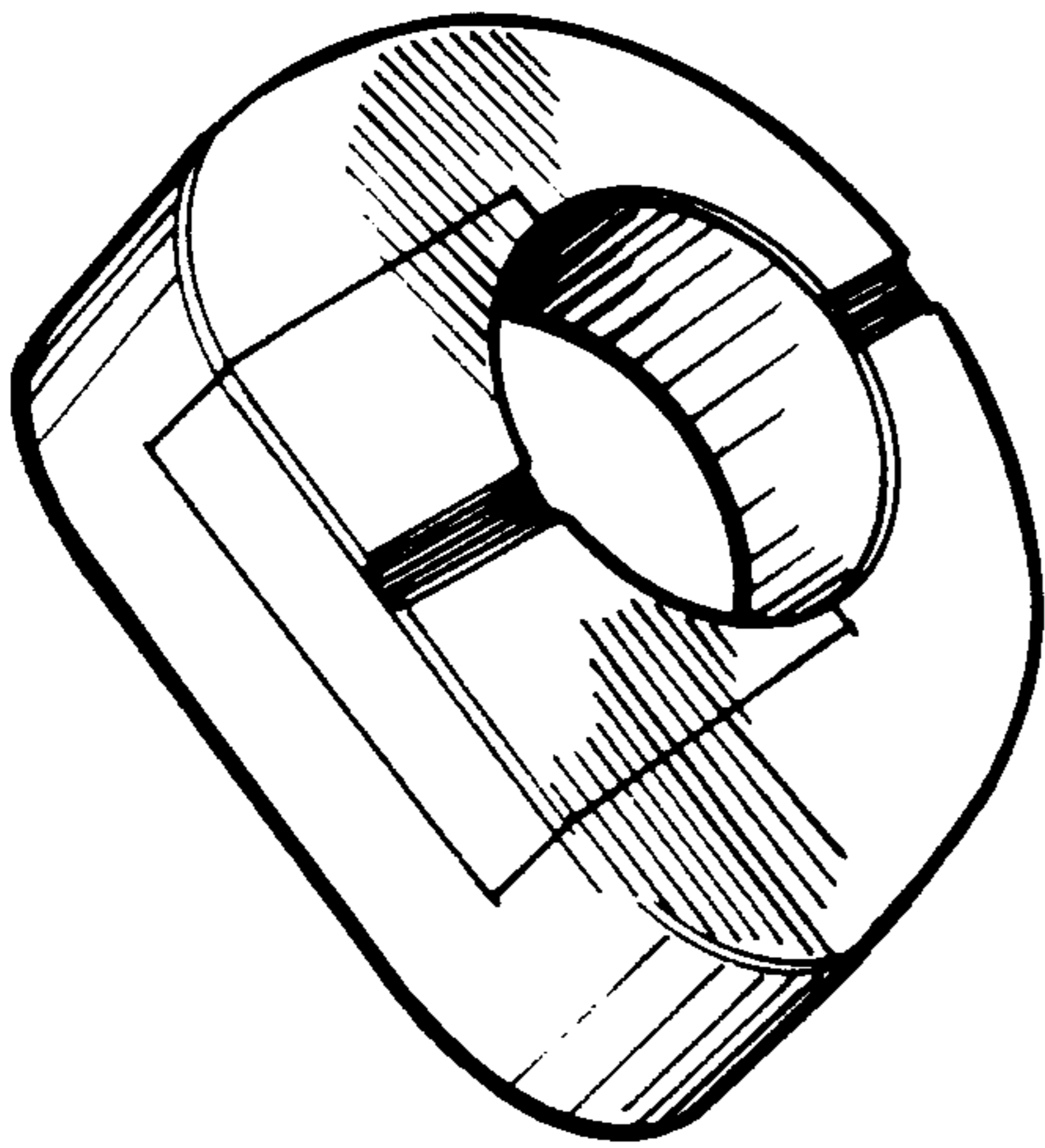


FIG. 6

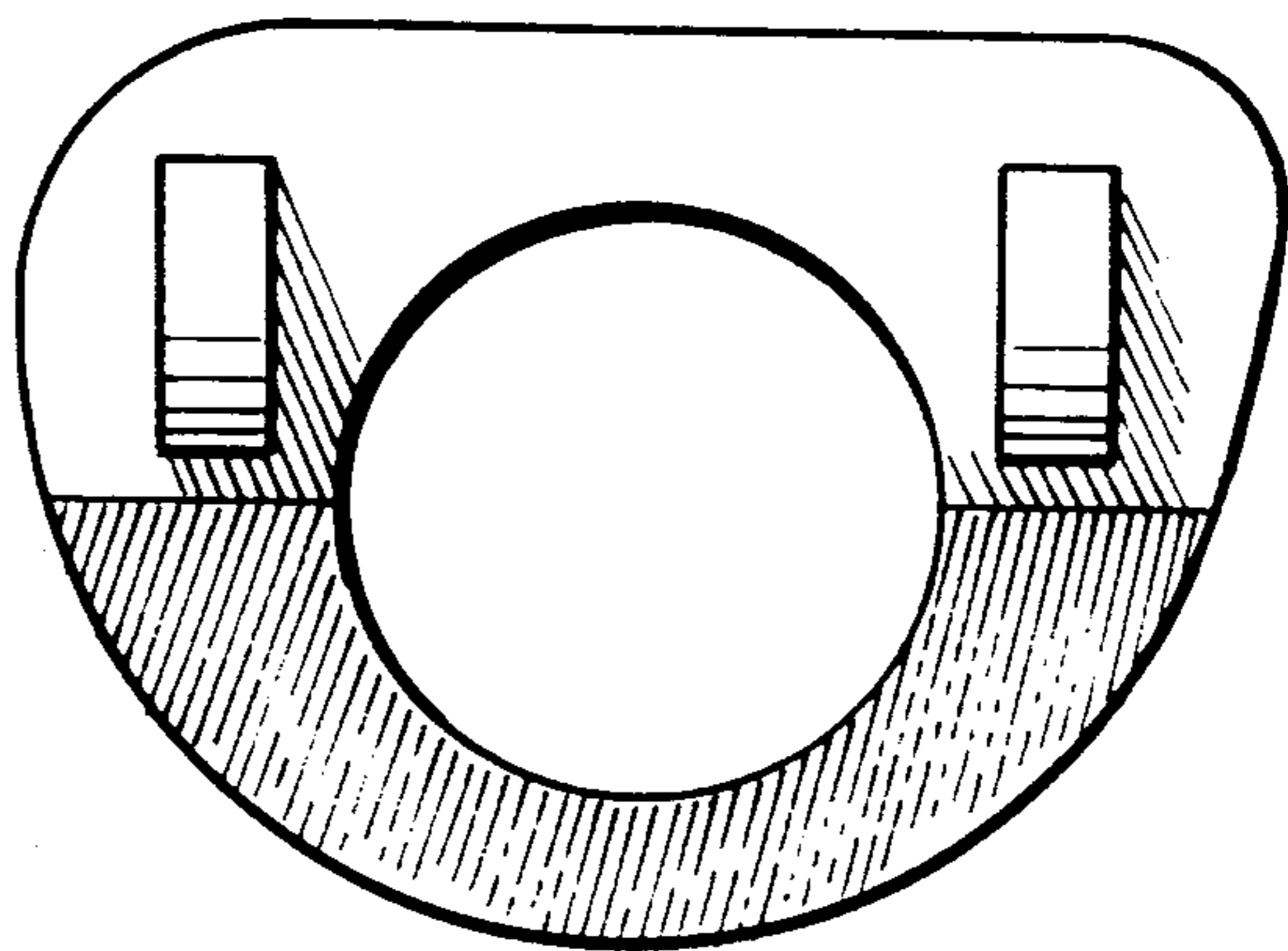


FIG. 5