

[54] GOLF CLUB HEAD

[76] Inventor: Alexander S. O. MacDougall, 495 Valley Club Rd., Santa Barbara, Calif. 93108

[**] Term: 14 Years

[21] Appl. No.: 860,119

[22] Filed: Dec. 13, 1977

[51] Int. Cl. D21-02

[52] U.S. Cl. D21/219

[58] Field of Search D21/214-220; 273/162 E, 163, 164, 167-175

[56] References Cited

U.S. PATENT DOCUMENTS

1,960,110	5/1934	Iles	273/162 E
3,708,172	1/1973	Rango	273/162 E

OTHER PUBLICATIONS

The Sporting Goods Dealer, Apr., 1973, p. 64, middle right, putter.

Primary Examiner—Melvin B. Feifer
Attorney, Agent, or Firm—William W. Haeffliger

[57] CLAIM

The ornamental design for a golf club head, as shown and described.

DESCRIPTION

FIG. 1 is a back elevation view of the club head of FIG. 3.

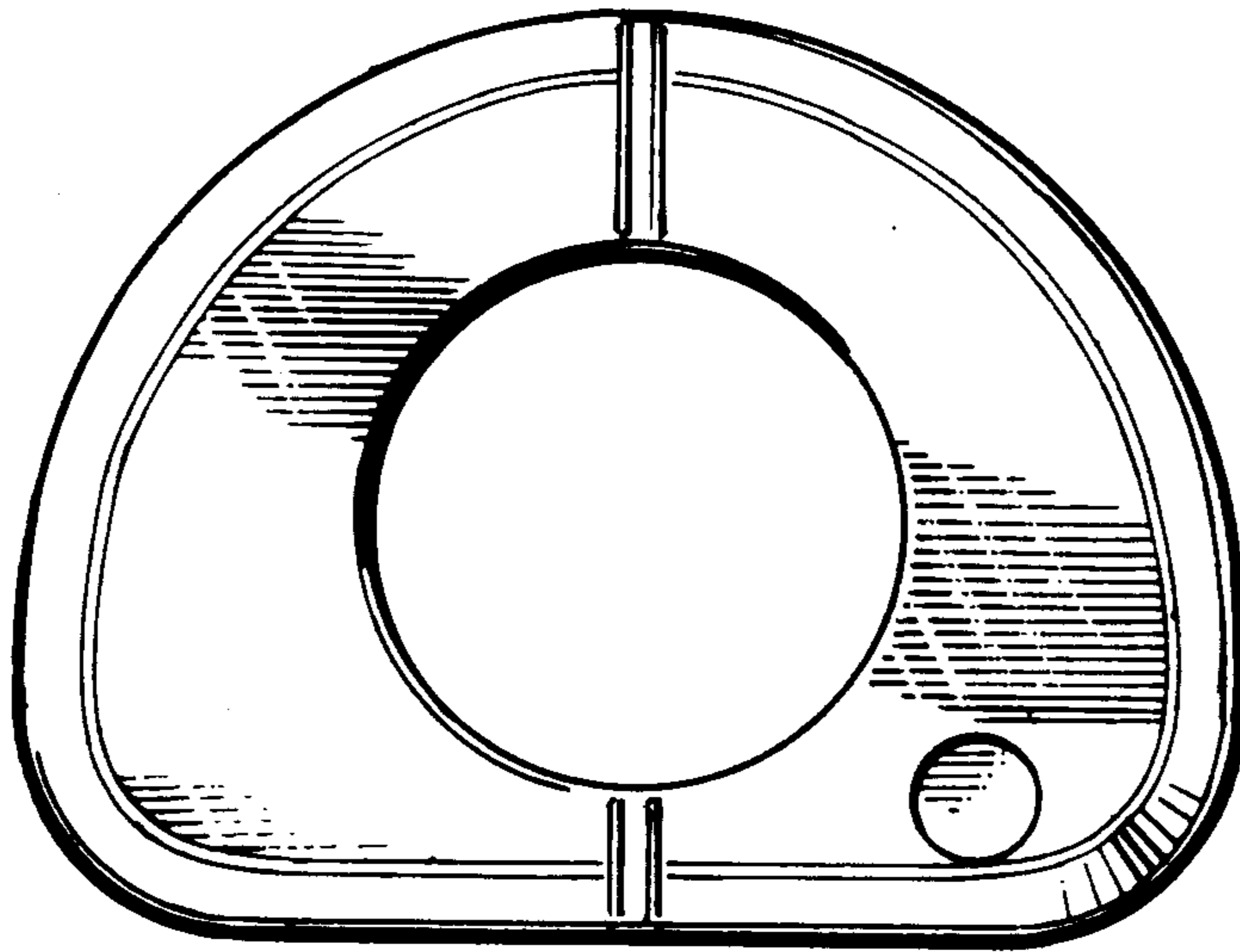
FIG. 2 is a side view of the club head as viewed from the right side of FIG. 3;

FIG. 3 is a top plan view of the club head;

FIG. 4 is a front elevation view of the club head of FIG. 3;

FIG. 5 is an isometric view of the club head of FIG. 3.

The bottom of the club head is plain and not ornamented. The side view of the club as viewed from the left of FIG. 3 is the same as FIG. 2.



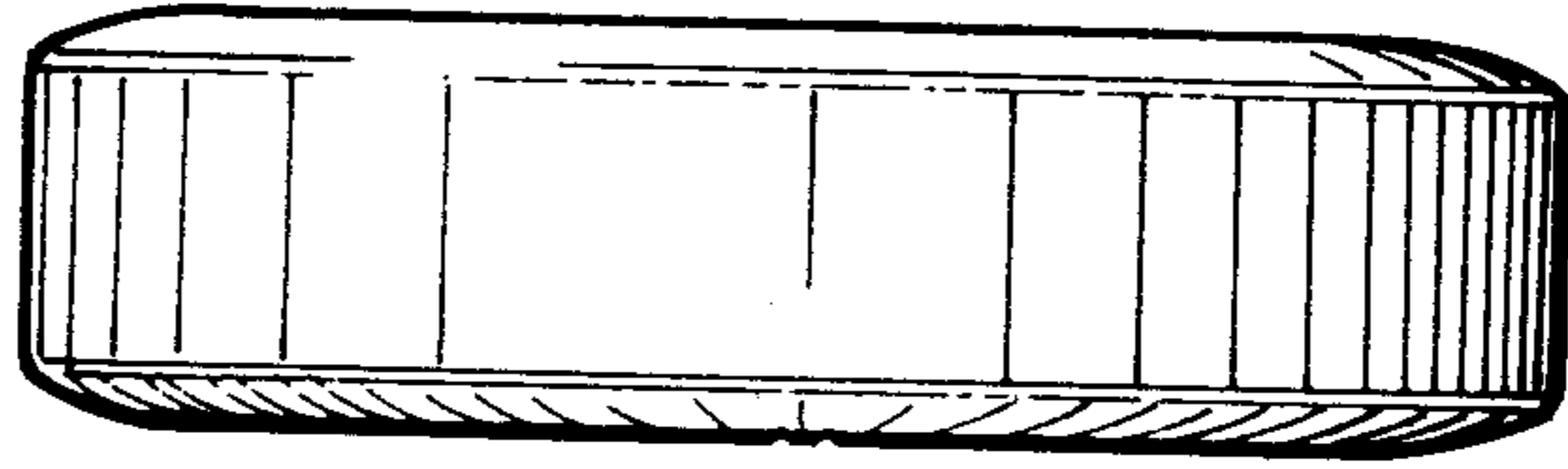


Fig. 1

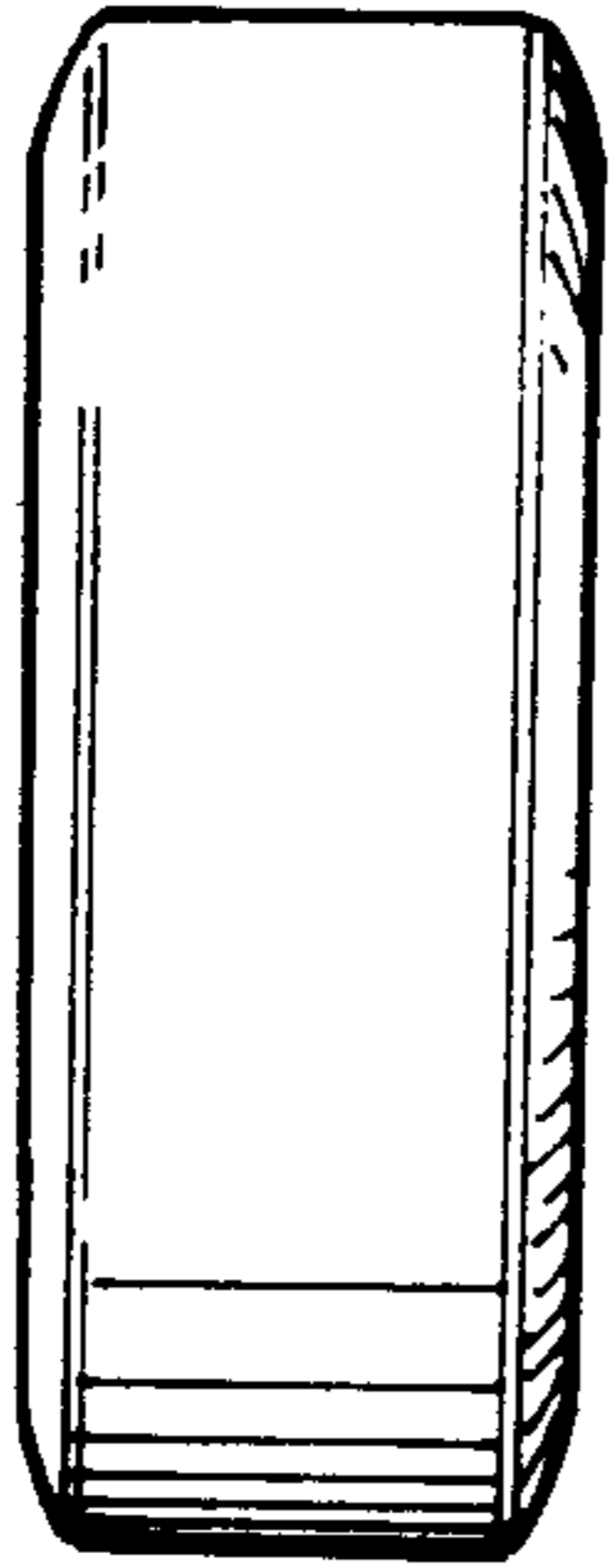


Fig. 2

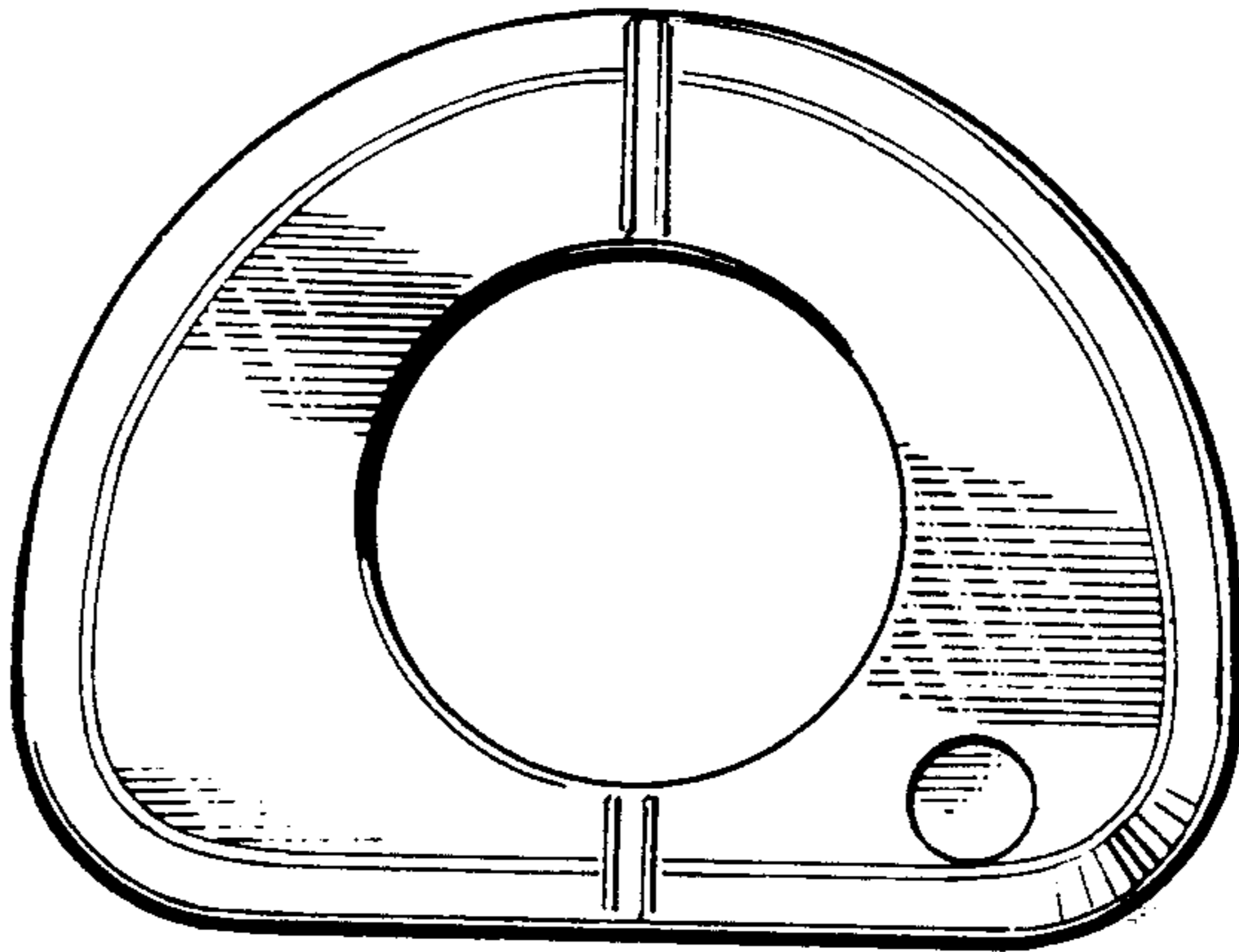


Fig. 3

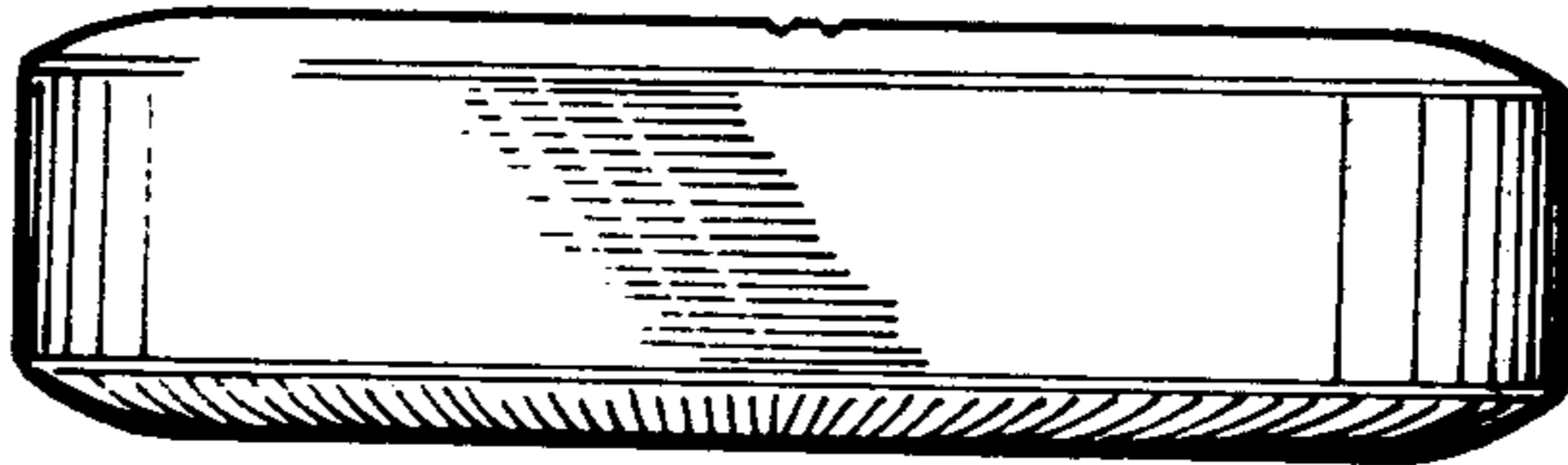


Fig. 4

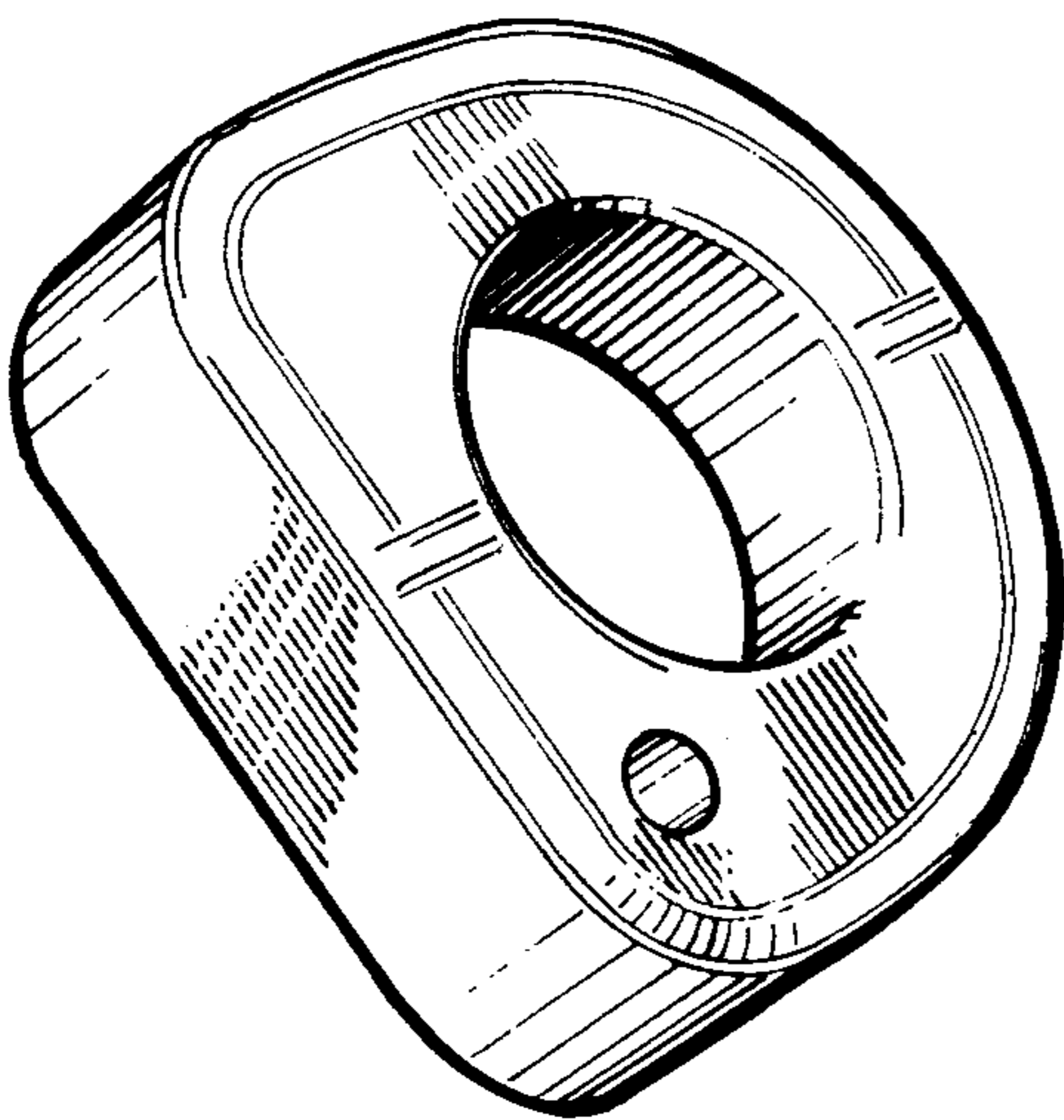


Fig. 5