

[54] GOLF PUTTER

[76] Inventor: Bobby J. Shelton, Rte. 1 Box 34A1, Mocksville, N.C. 27028

[\*\*] Term: 14 Years

[21] Appl. No.: 839,972

[22] Filed: Oct. 6, 1977

[51] Int. Cl. .... D21-02

[52] U.S. Cl. .... D21/217

[58] Field of Search .... D34/5 GH, 5 GC; 273/167-175, 163

[56]

References Cited

U.S. PATENT DOCUMENTS

3,810,633 5/1974 Scott ..... 273/163 R  
4,002,343 1/1977 Eckert ..... 273/163 R

Primary Examiner—Melvin B. Feifer

[57]

CLAIM

The ornamental design for a golf putter, as shown and described.

DESCRIPTION

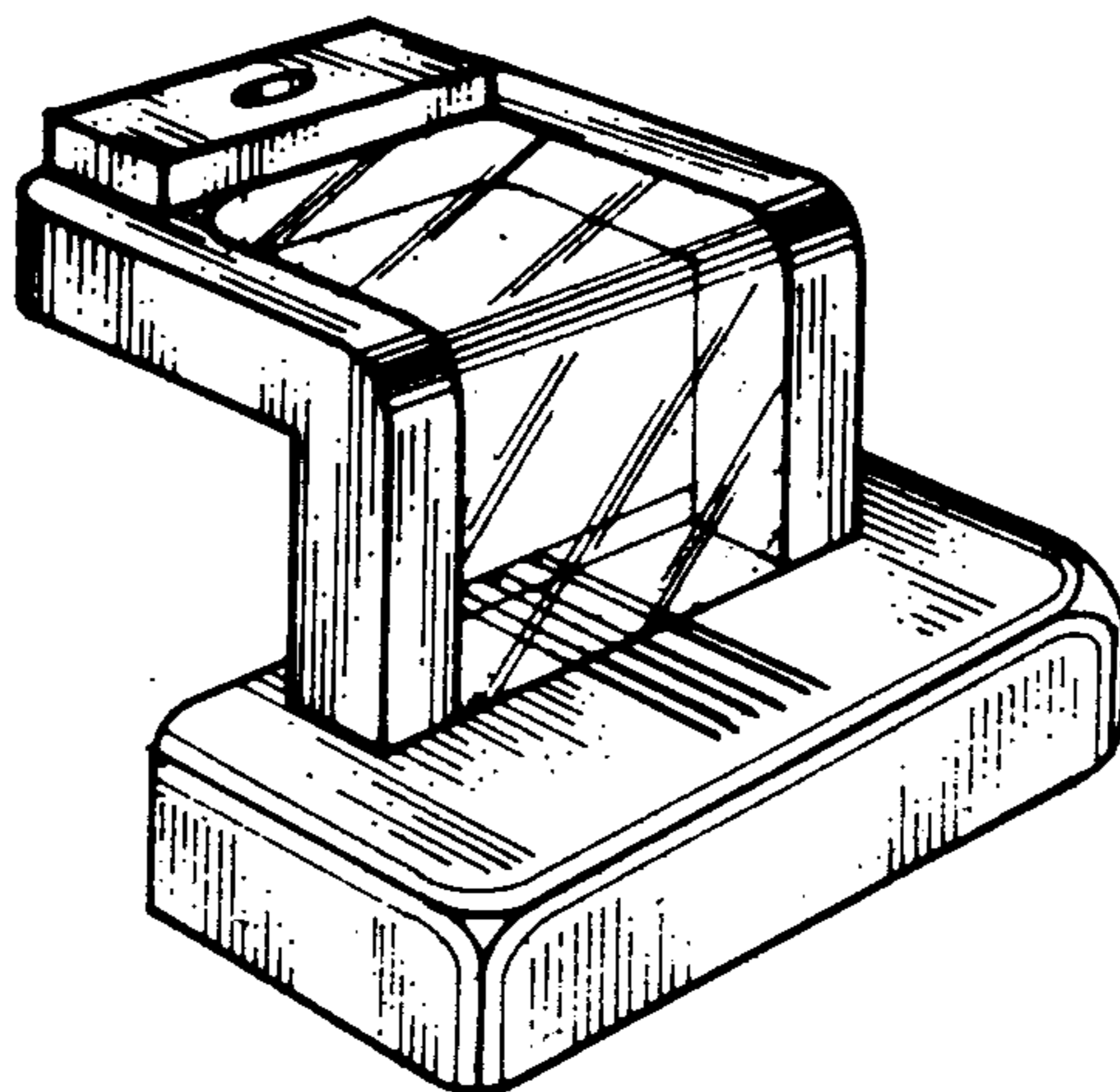
FIG. 1 is a top perspective view of a golf putter head showing my new design.

FIG. 2 is a perspective view as seen from the side.

FIG. 3 is a bottom view.

FIG. 4 is another perspective view as seen from the top showing the putting surface.

FIG. 5 is a front view showing the putting surface.



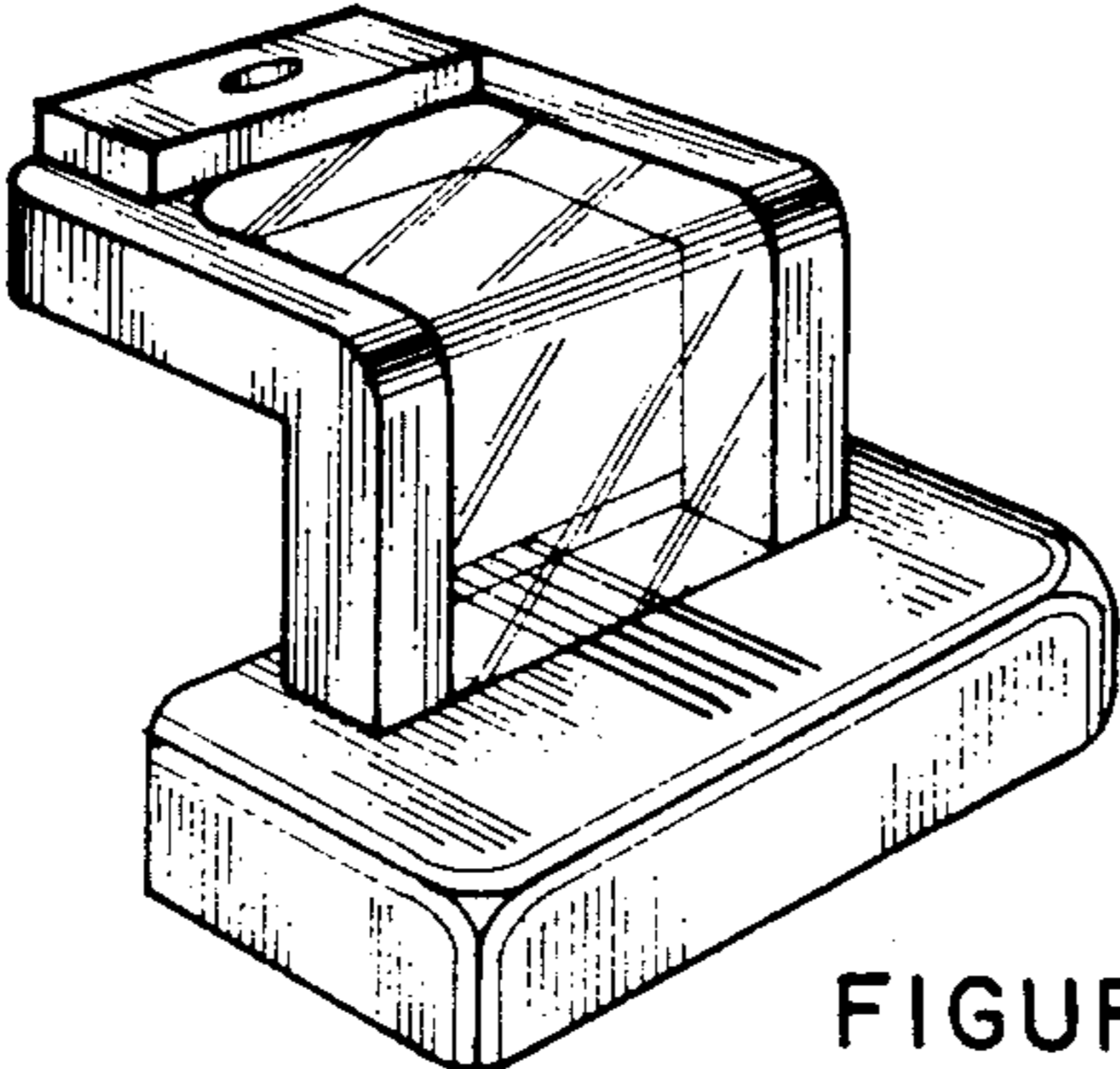


FIGURE 1

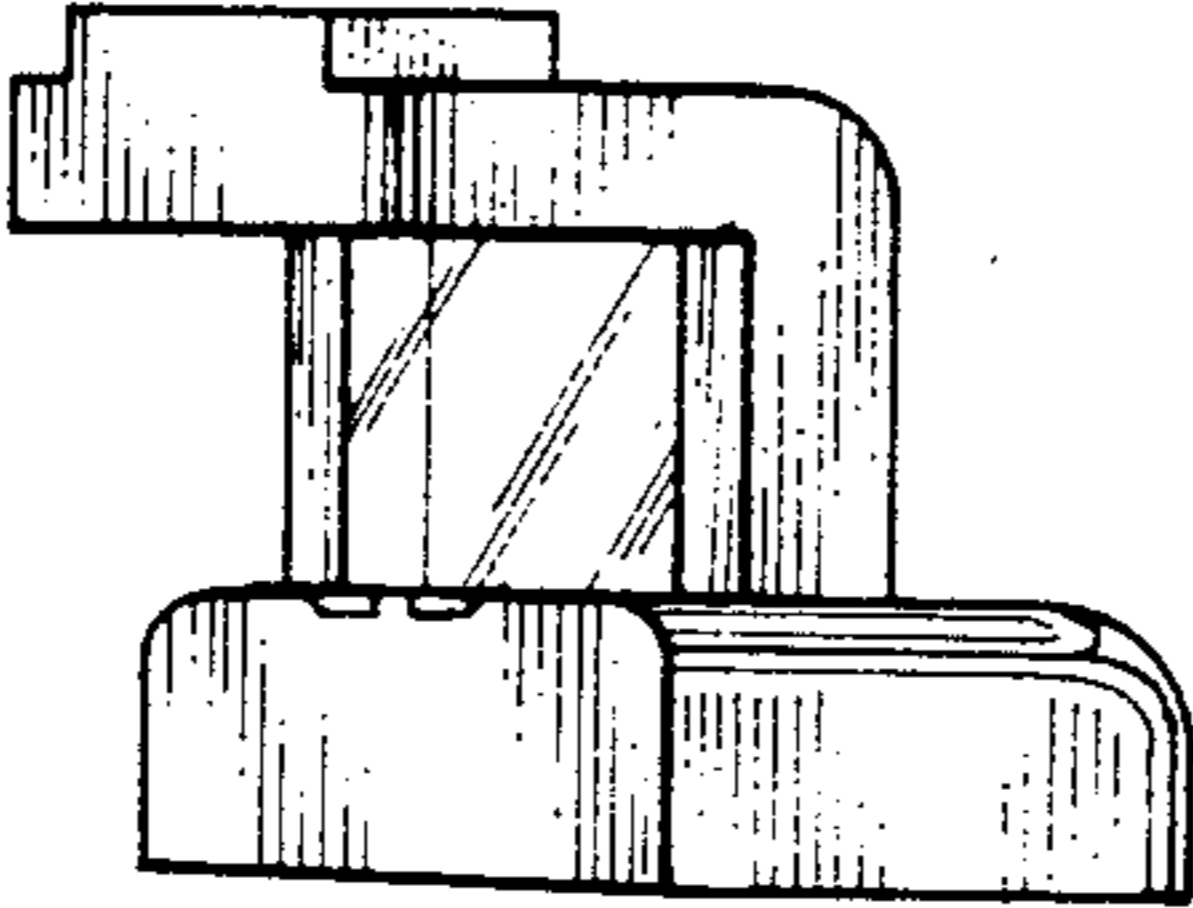


FIGURE 2

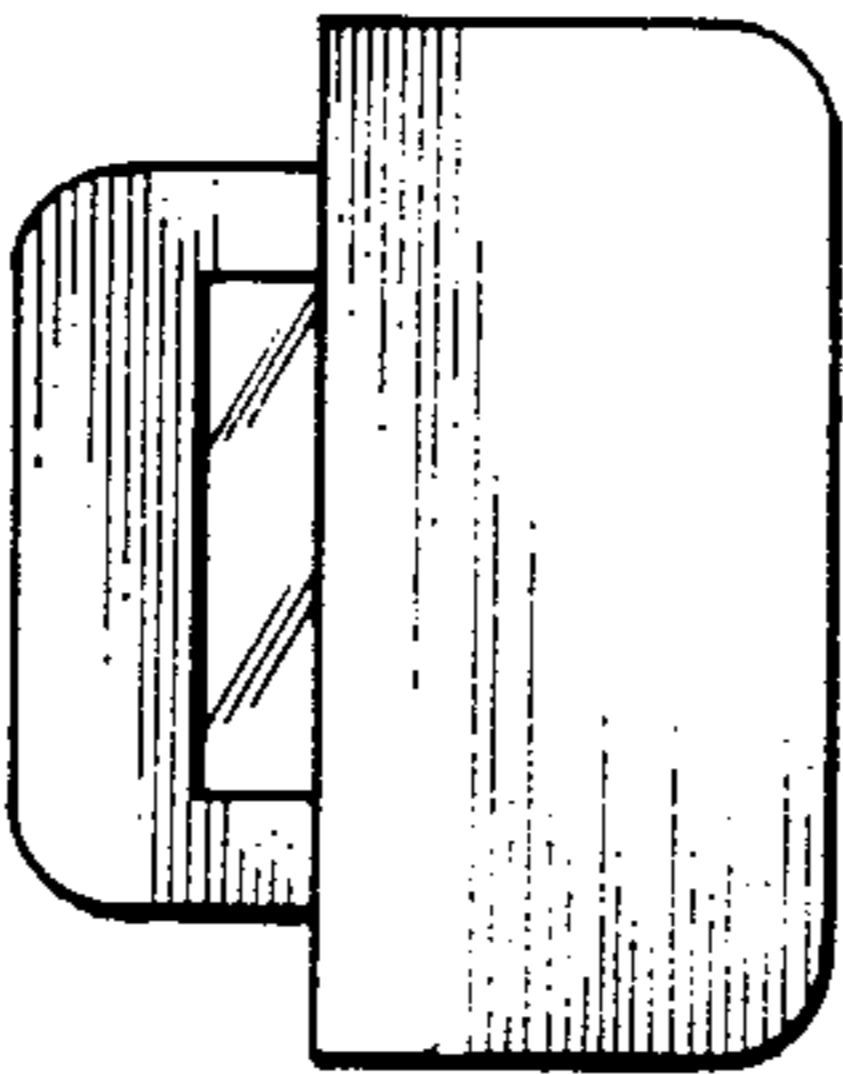


FIGURE 3

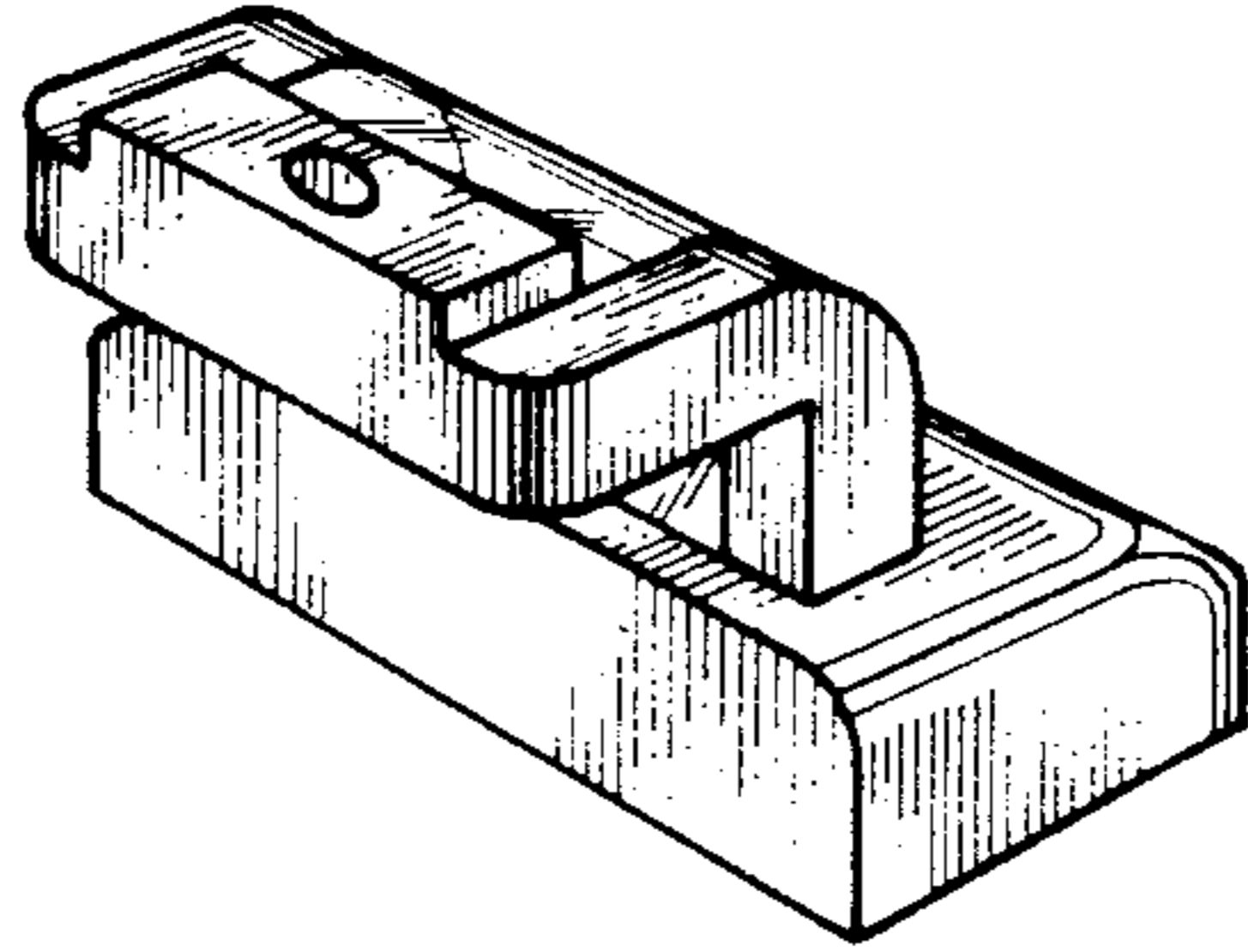


FIGURE 4

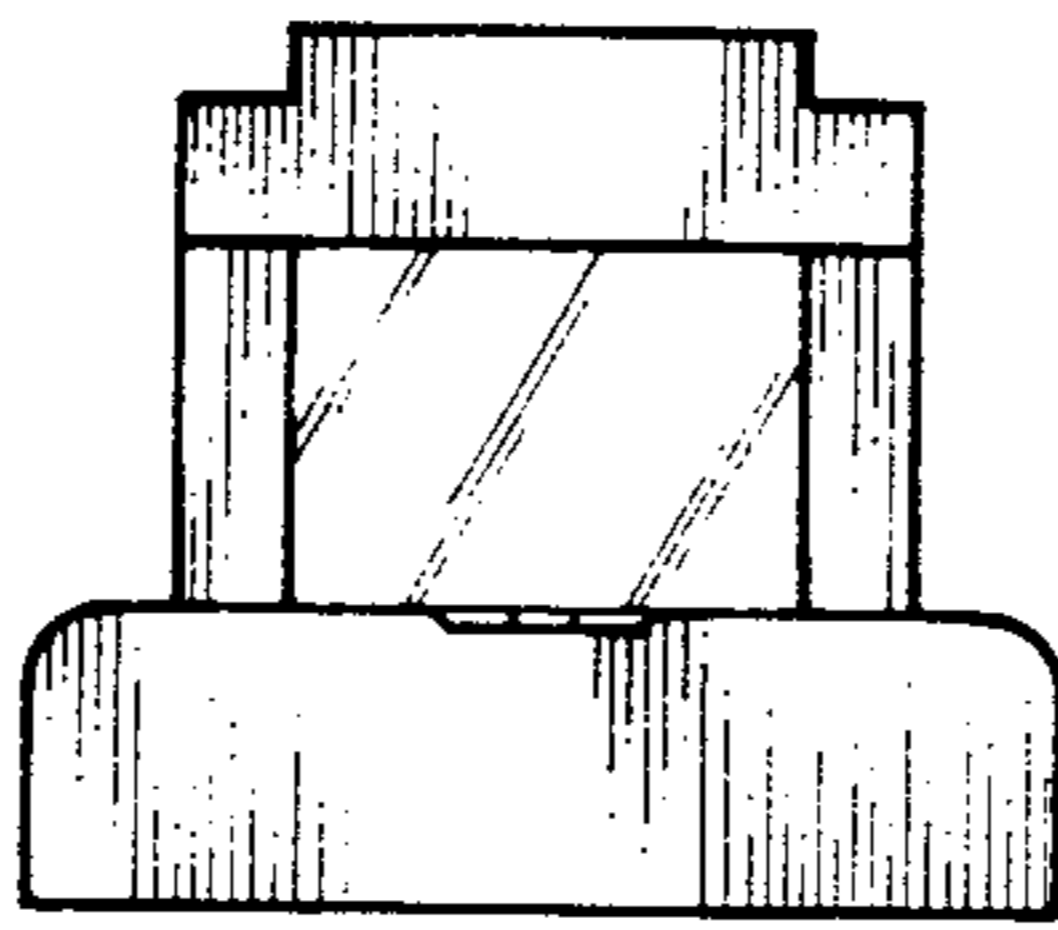


FIGURE 5