

[54] VAULTING BOX

[76] Inventor: **Bruce A. Simpson**, 237 Borden St., Toronto, Ontario, Canada, M5S 2N5

[**] Term: **14 Years**

[21] Appl. No.: **882,427**

[22] Filed: **Mar. 1, 1978**

[51] Int. Cl. **D21-02**

[52] U.S. Cl. **D21/191**

[58] Field of Search 272/93, 100, 101, 104, 272/144, 78; D21/191, 235, 221, 222; 273/1 S, 1 R, 26 A, 29 BB, 17 B

[56]

References Cited

U.S. PATENT DOCUMENTS

1,168,666	1/1916	Medart	272/104
3,075,765	1/1963	Mpakarakes	272/104
3,948,514	4/1976	Holt	272/101

Primary Examiner—Charles A. Rademaker
Attorney, Agent, or Firm—Peter W. McBurney

[57]

CLAIM

The ornamental design for a vaulting box, as shown.

DESCRIPTION

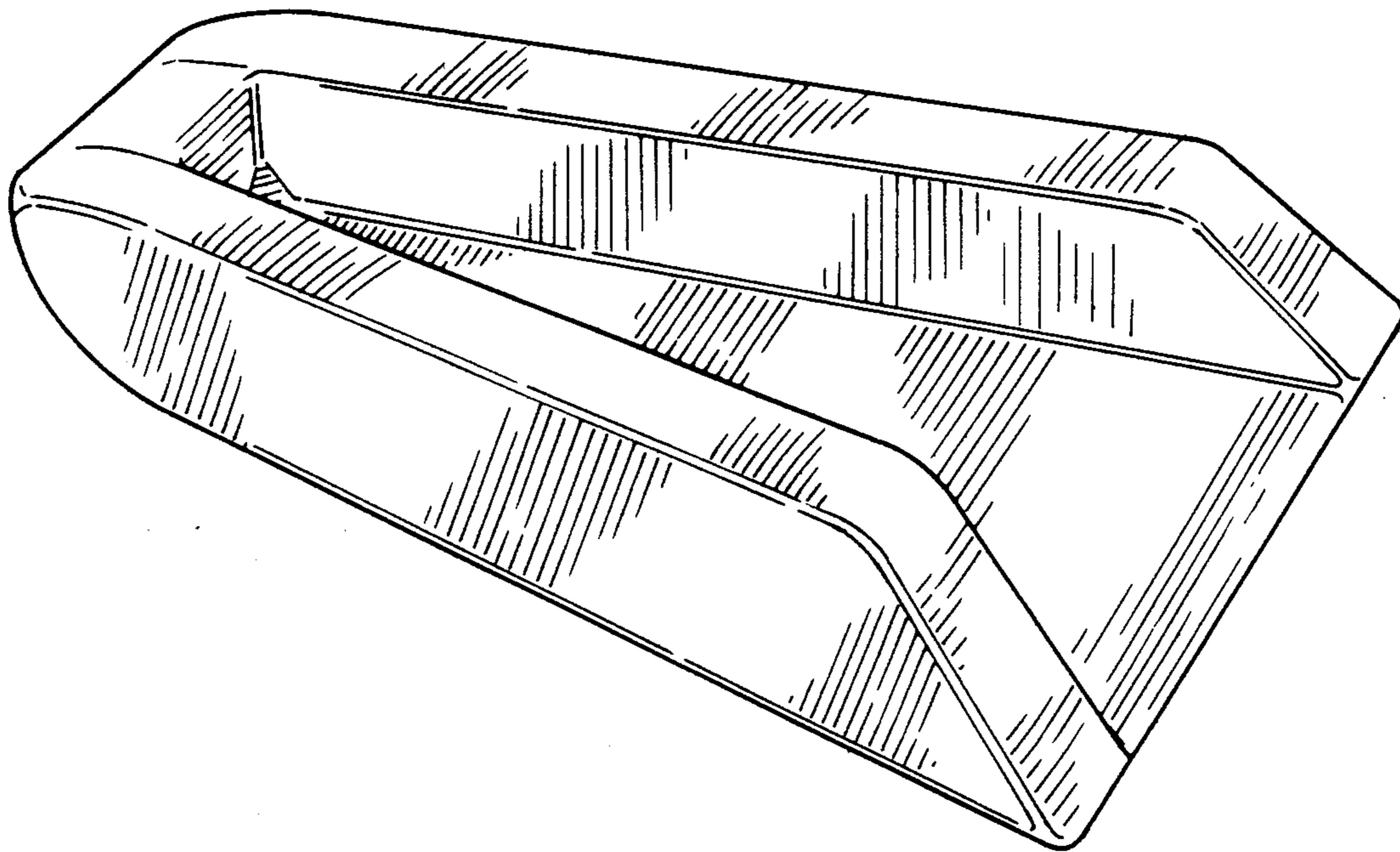
FIG. 1 is a top perspective view of a vaulting box showing my new design;

FIG. 2 is a bottom perspective view thereof;

FIG. 3 is a front elevational view thereof;

FIG. 4 is a bottom plan view thereof; and

FIG. 5 is a rear elevational view thereof.



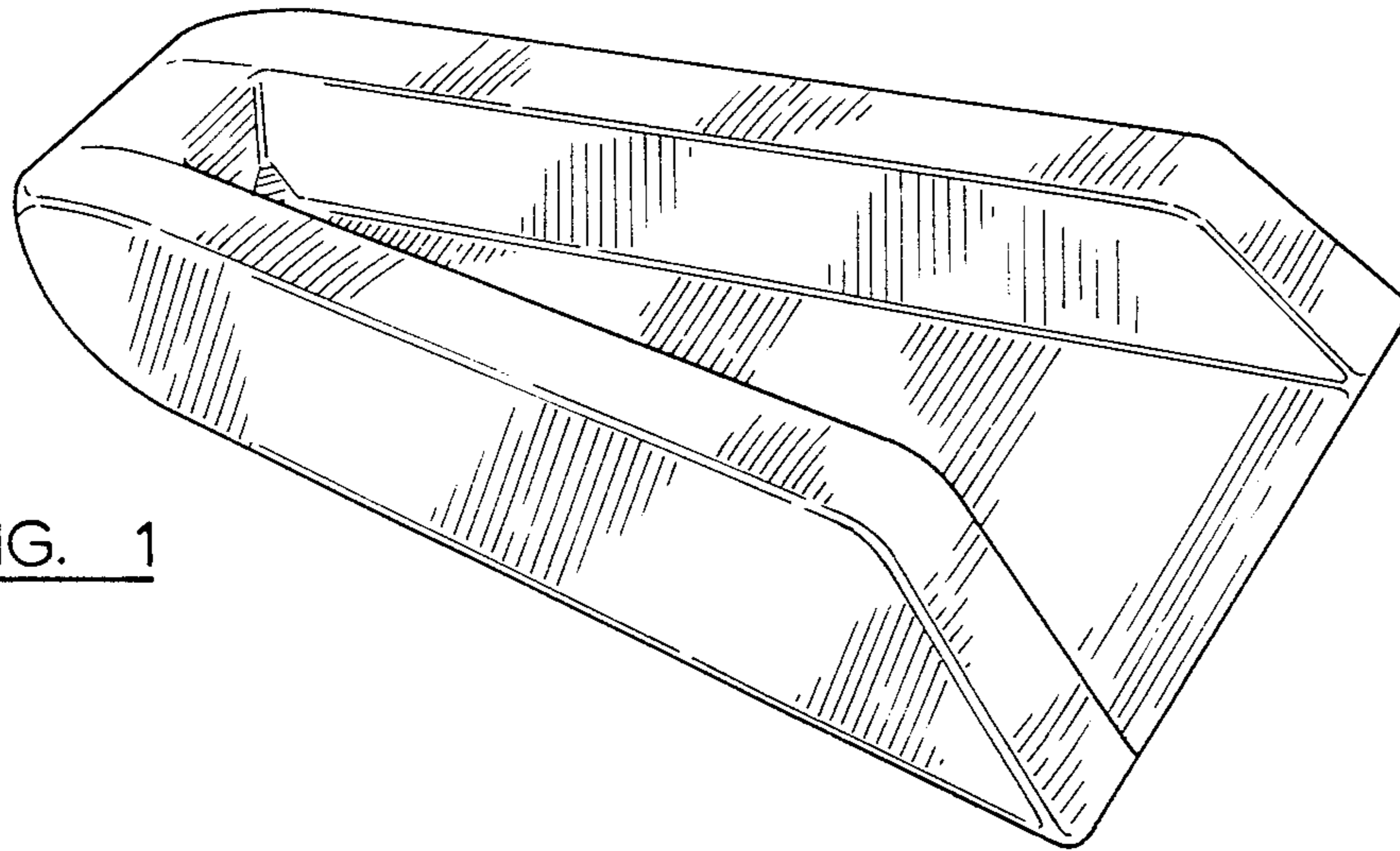


FIG. 1

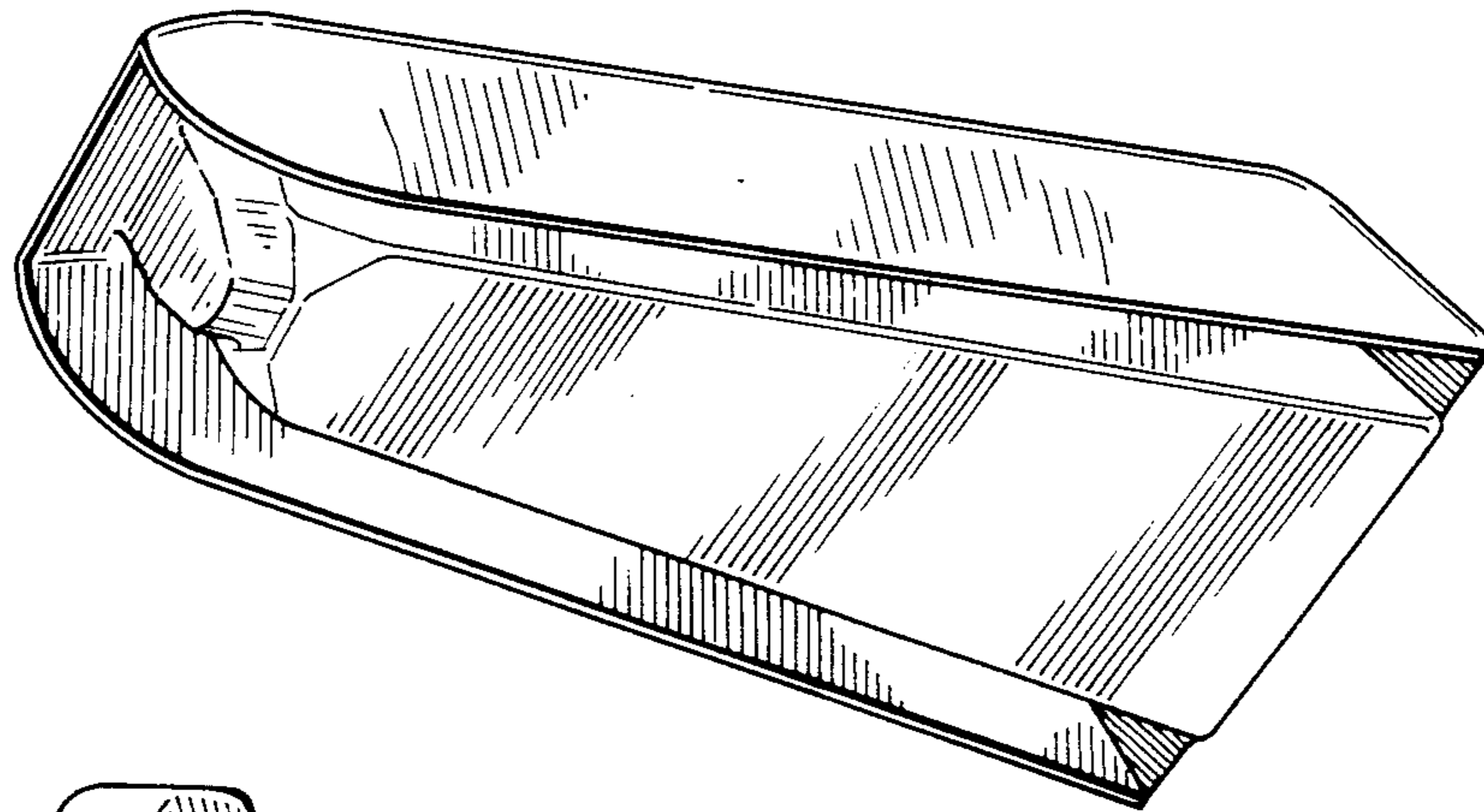


FIG. 2

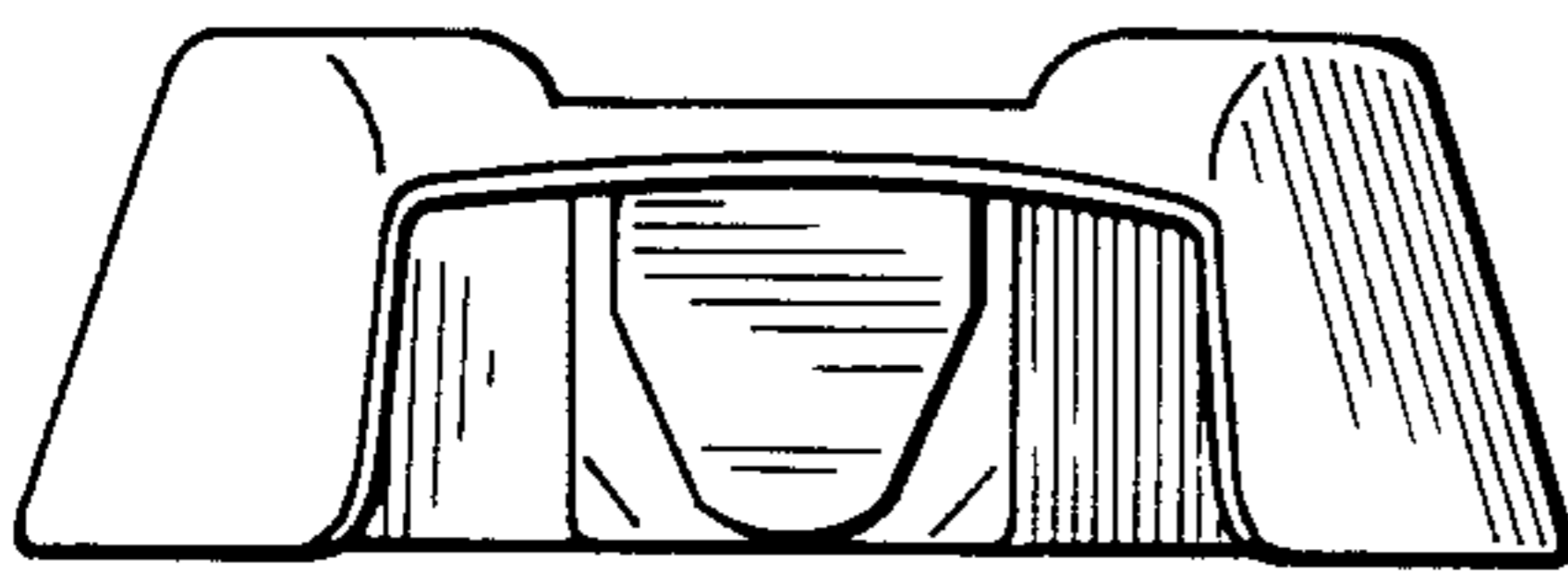


FIG. 3

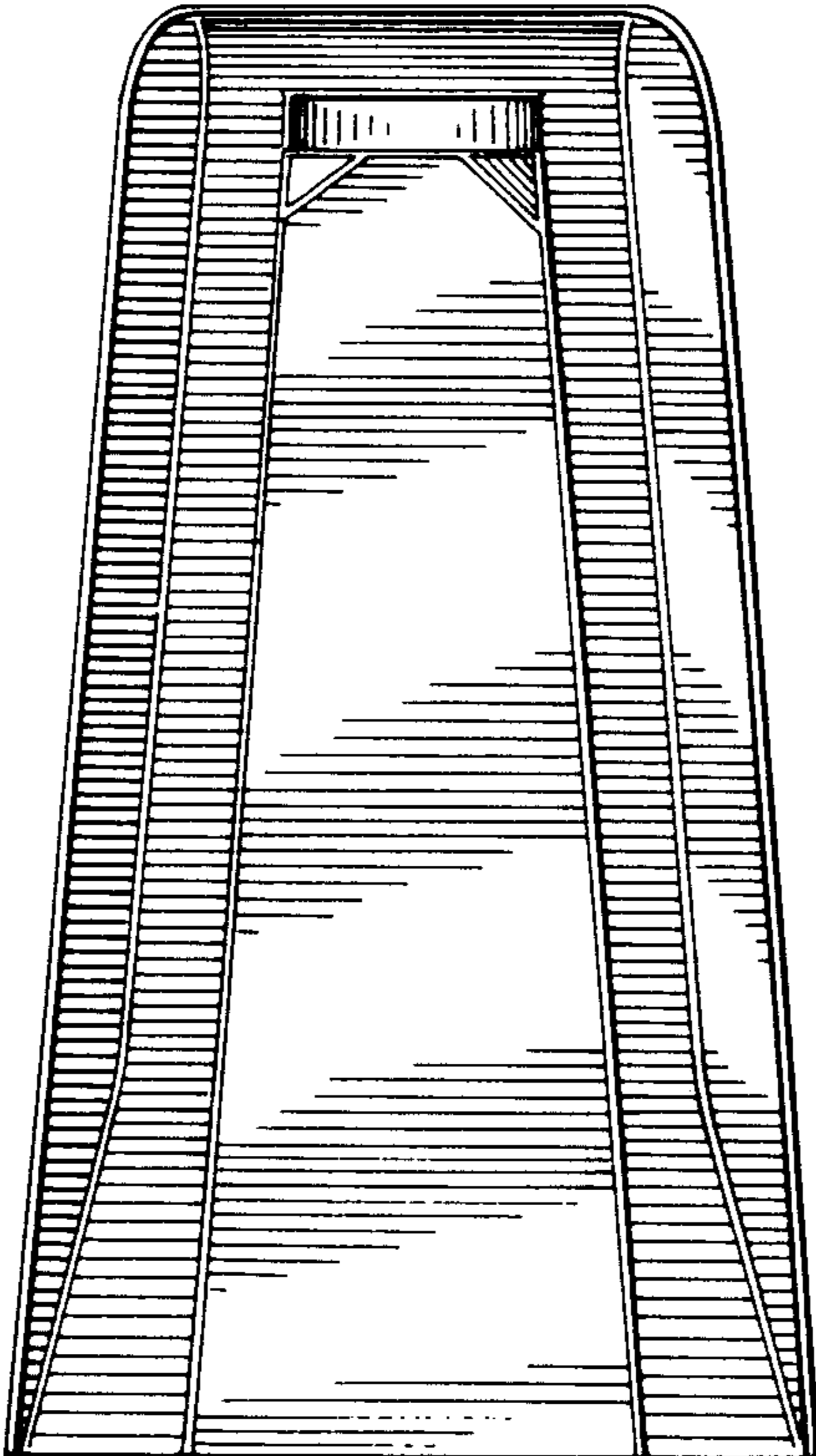


FIG. 4

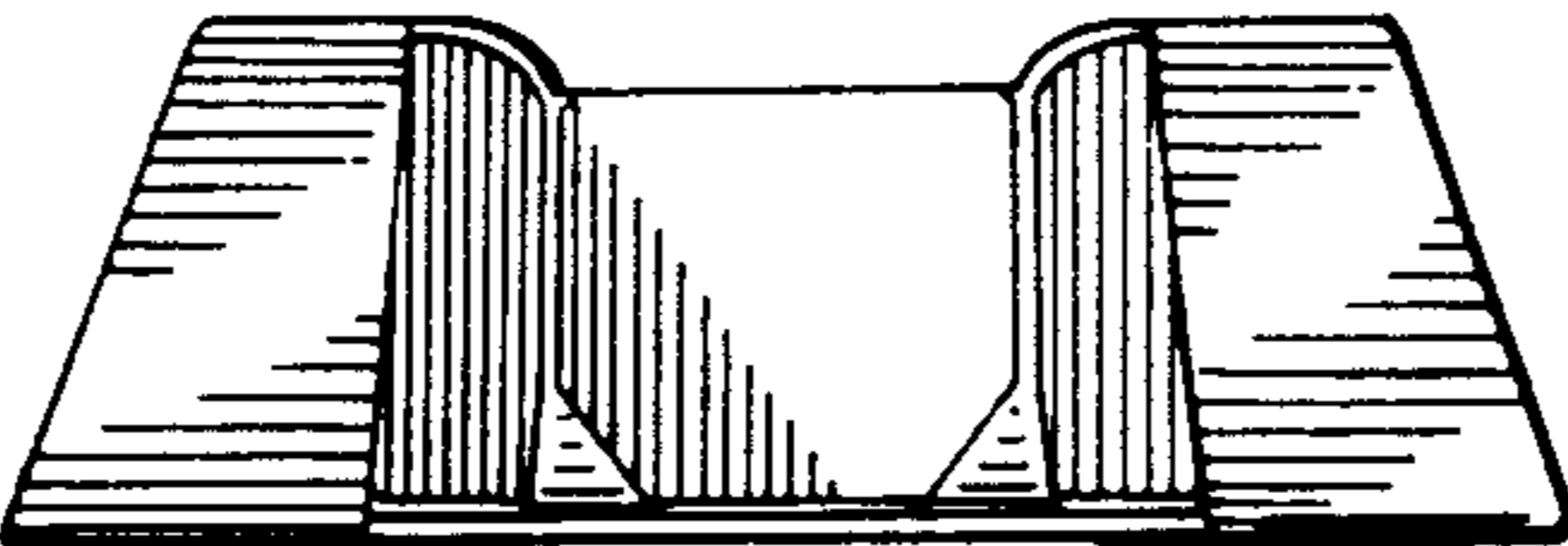


FIG. 5