

[54] MUSICAL TOY TRUCK

[75] Inventor: Dennis G. Wyman, Broadstairs,
England

[73] Assignee: Hilary Page "Sensible" Toys Limited,
Kenley, England

[**] Term: 14 Years

[21] Appl. No.: 872,357

[22] Filed: Jan. 24, 1978

[51] Int. Cl. D21-01

[52] U.S. Cl. D21/134; D21/64

[58] Field of Search D21/128, 134, 135, 136,
D21/141, 64, 133; 46/111

[56]

References Cited

U.S. PATENT DOCUMENTS

D. 219,931 2/1971 Fogarty et al. D21/140
D. 245,280 8/1977 Chesler D21/134
2,992,511 7/1961 Crawford 46/111

Primary Examiner—Charles A. Rademaker
Attorney, Agent, or Firm—Emory L. Groff, Jr.

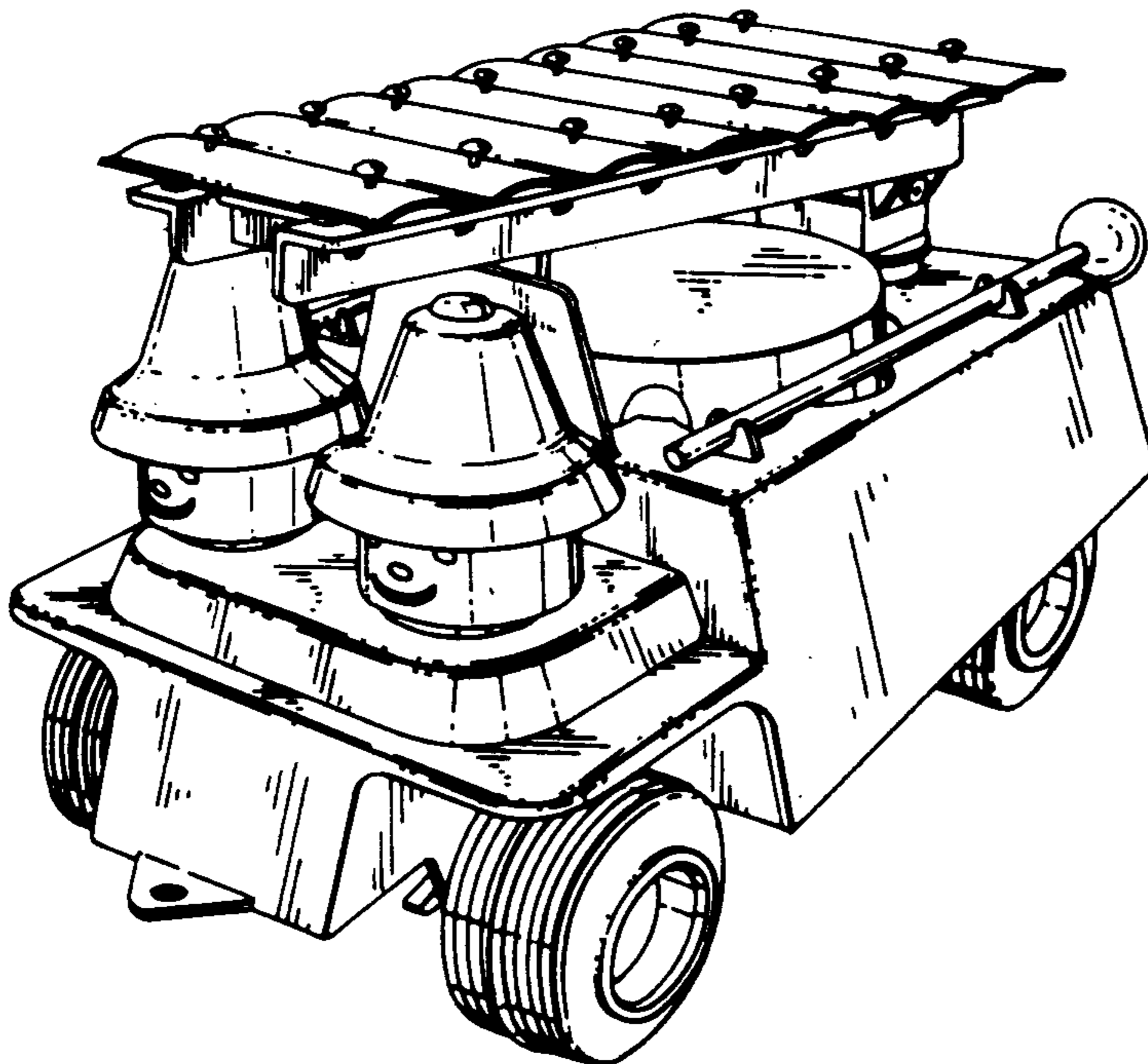
[57]

CLAIM

The ornamental design for a musical toy truck, as shown.

DESCRIPTION

FIG. 1 is a front perspective view of a musical toy truck showing my new design;
FIG. 2 is a rear perspective view thereof;
FIG. 3 is a top plan view thereof; and
FIG. 4 is a bottom plan view thereof.



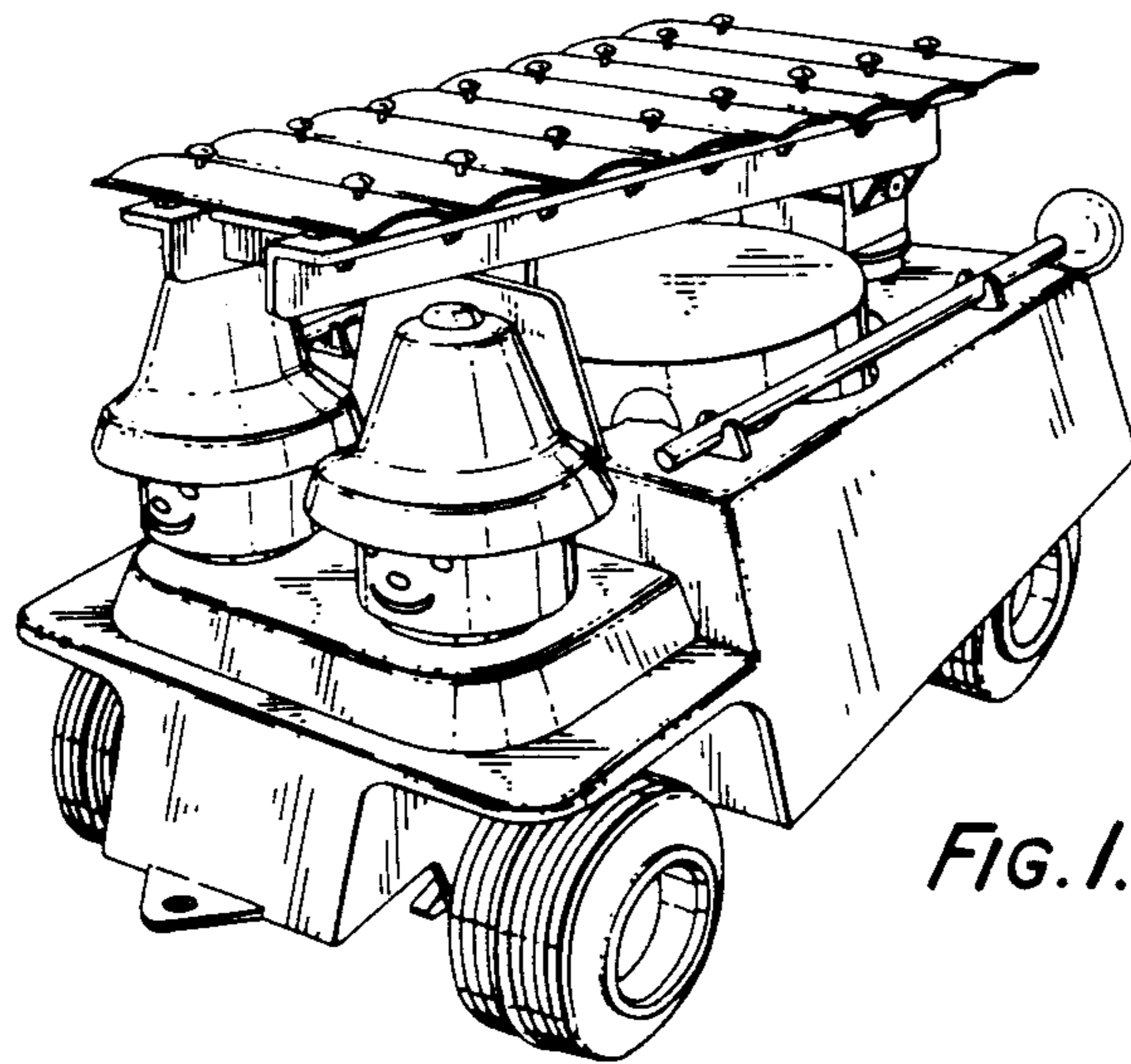


FIG. 1.

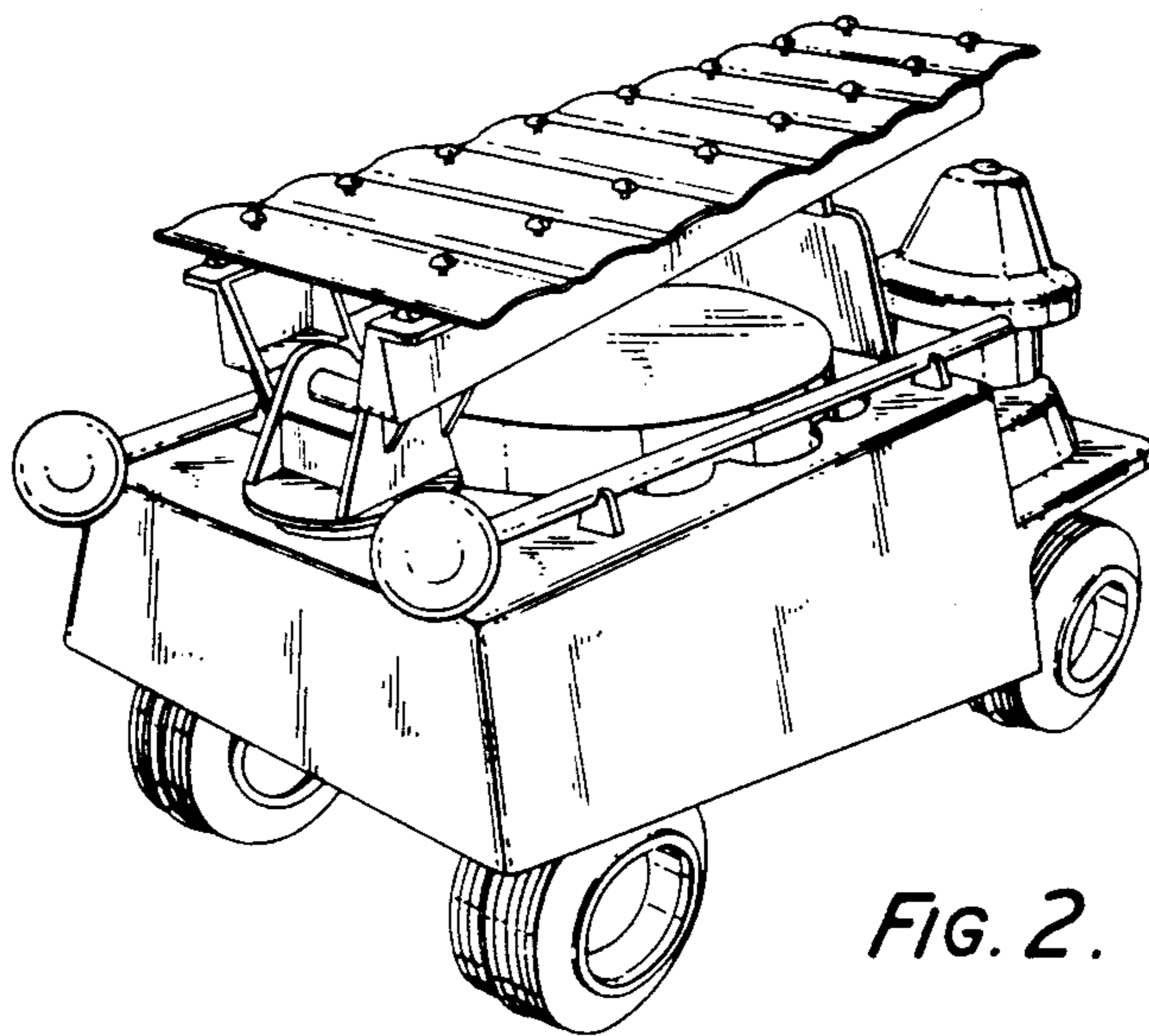


FIG. 2.

FIG. 3.

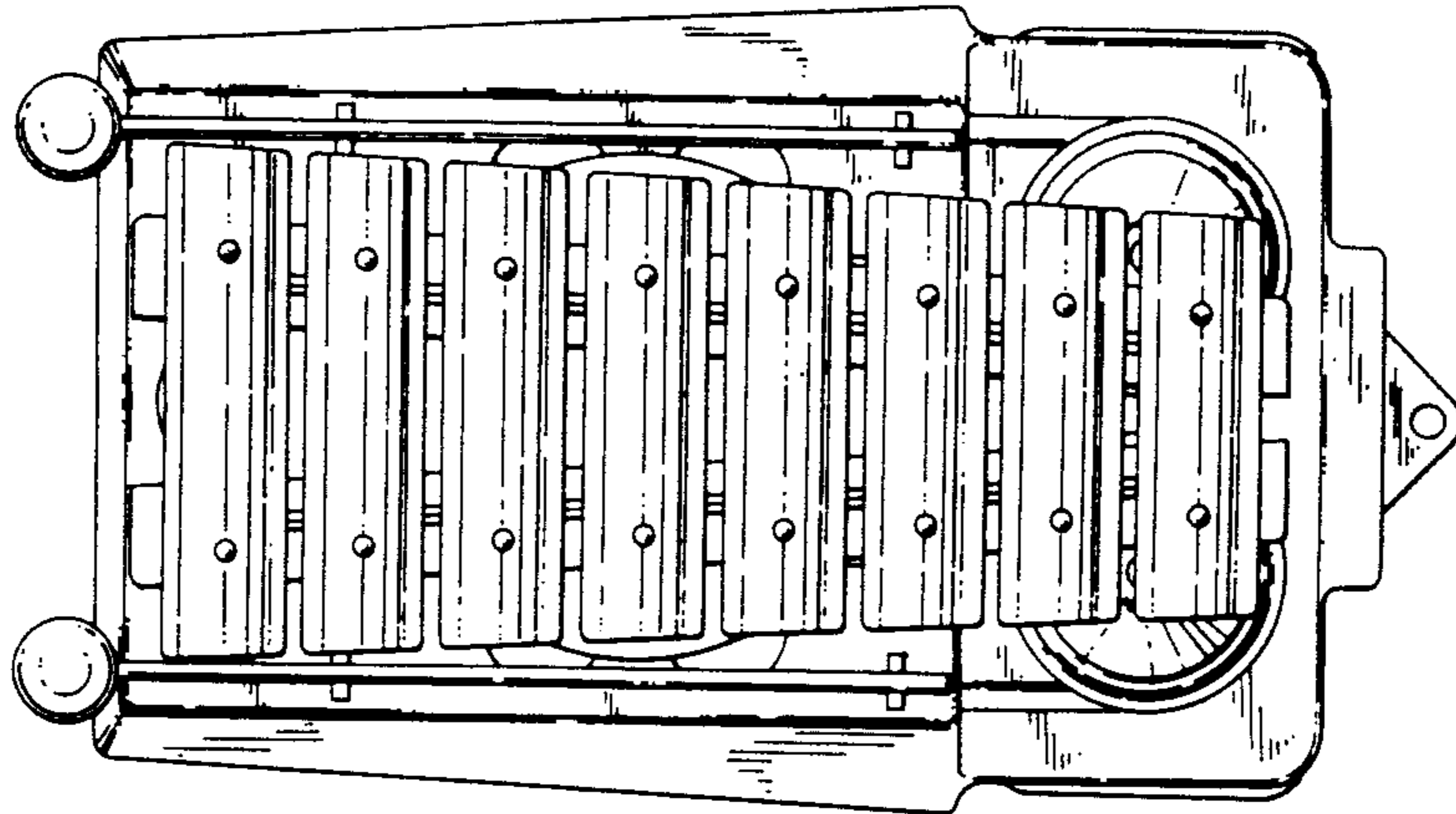


FIG. 4.

