

[54] TWO TIER LETTER TRAY

3,648,849 3/1972 Harris et al. .... D19/92

[76] Inventor: William B. Sklaroff, 722 E. Conshohocken State Rd., Penn Valley, Pa. 19072

OTHER PUBLICATIONS

Smith Metal Arts Co. Cat. ©1975, p. 3, Item No. 3524. Peter Pepper Products Inc., 1973, p. 18, Item No. 6017.

[\*\*] Term: 14 Years

Primary Examiner—George P. Word  
Attorney, Agent, or Firm—A. D. Caesar

[21] Appl. No.: 32,055

[57] CLAIM

[22] Filed: Apr. 23, 1979

The ornamental design for a two tier letter tray, substantially as shown and described.

[51] Int. Cl. .... D19—02

[52] U.S. Cl. .... D19/92

[58] Field of Search ..... D19/75, 92, 99; 211/11, 211/126; D27/47; 220/22.3, 22.4

DESCRIPTION

FIG. 1 is a perspective view of a two tier letter tray showing my new design;

FIG. 2 is a right side elevational view thereof;

FIG. 3 is a top plan view thereof;

FIG. 4 is a bottom plan view thereof;

FIG. 5 is a rear elevational view thereof;

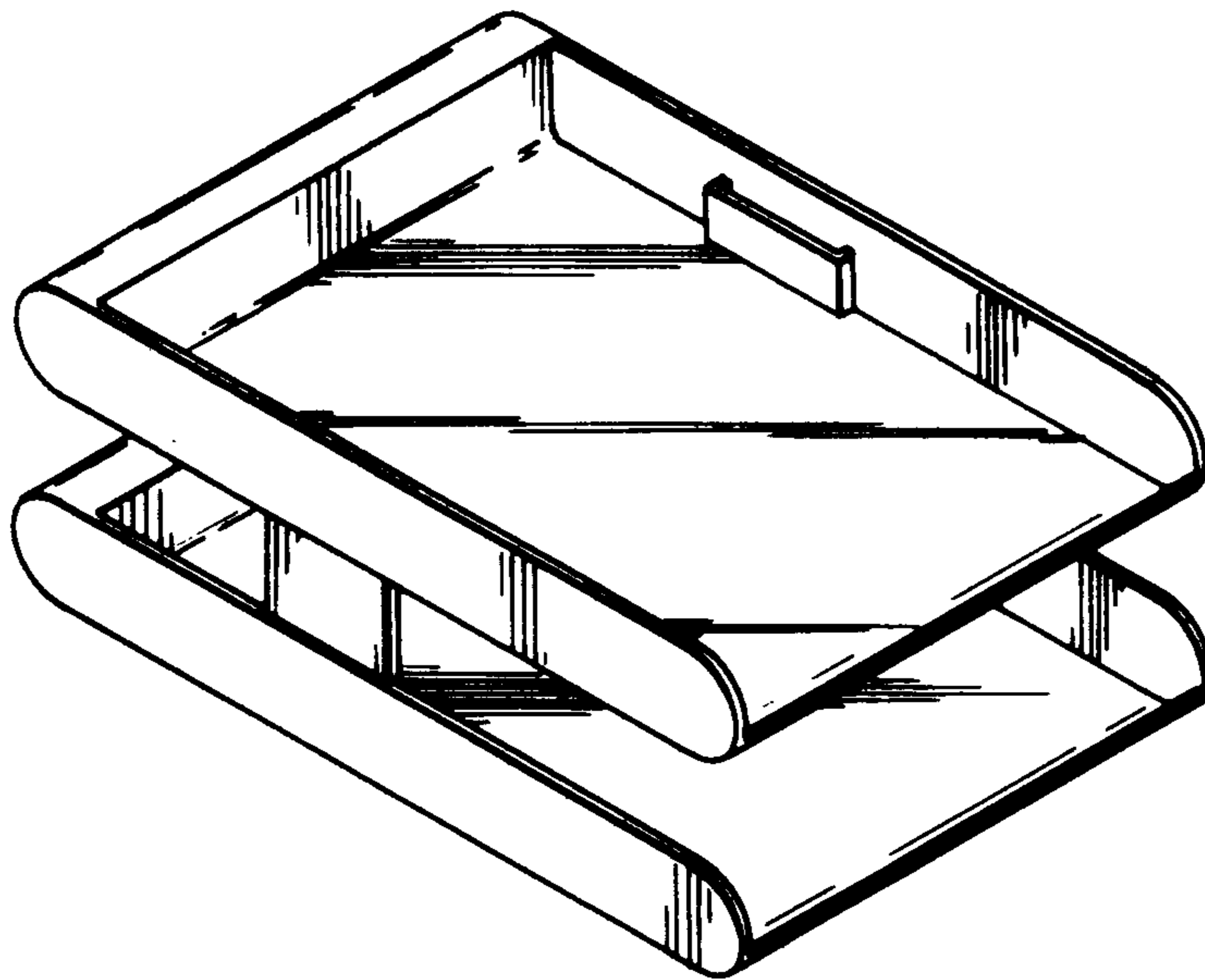
FIG. 6 is a front elevational view thereof; and

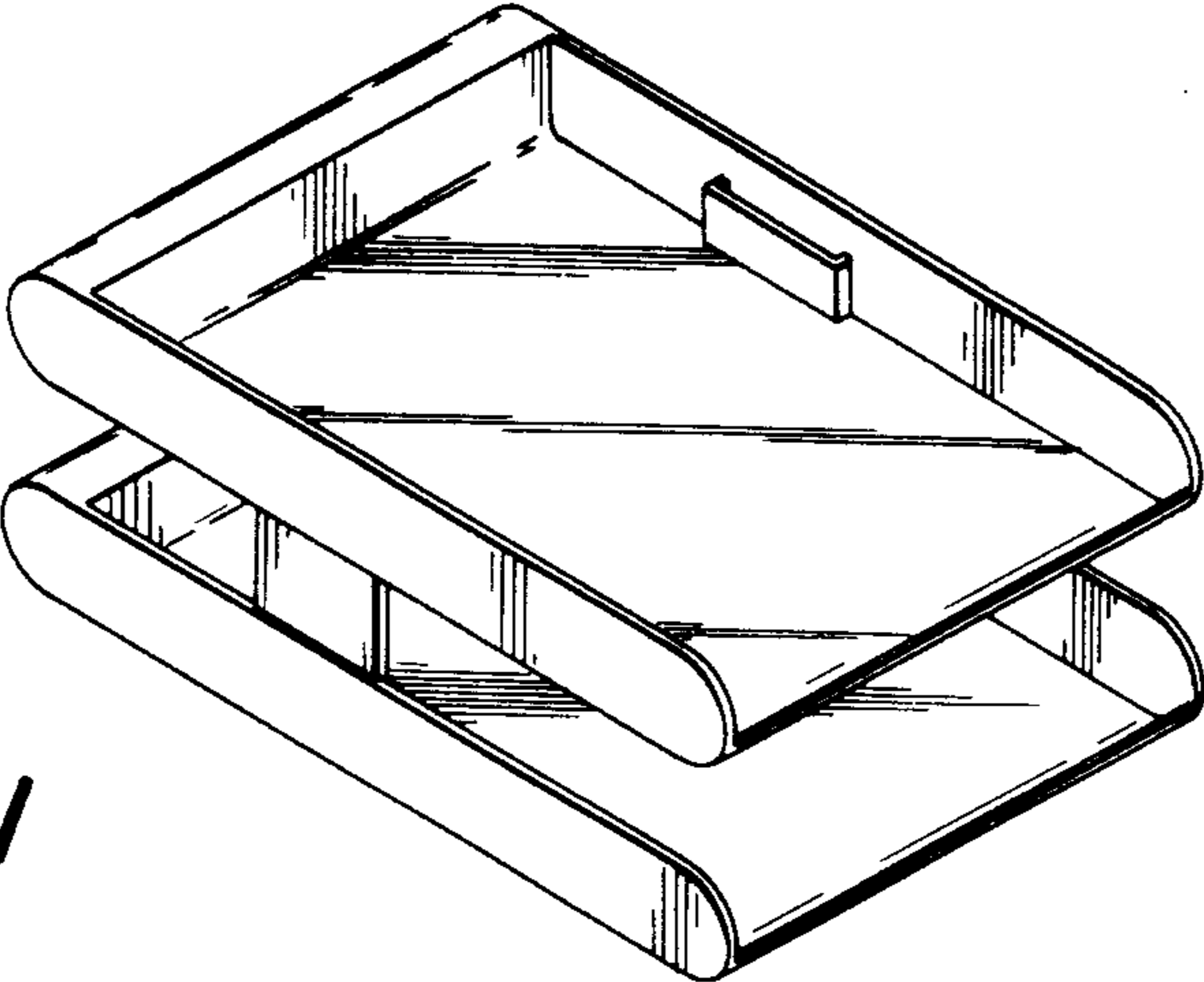
FIG. 7 is an enlarged scale right side perspective view thereof.

[56] References Cited

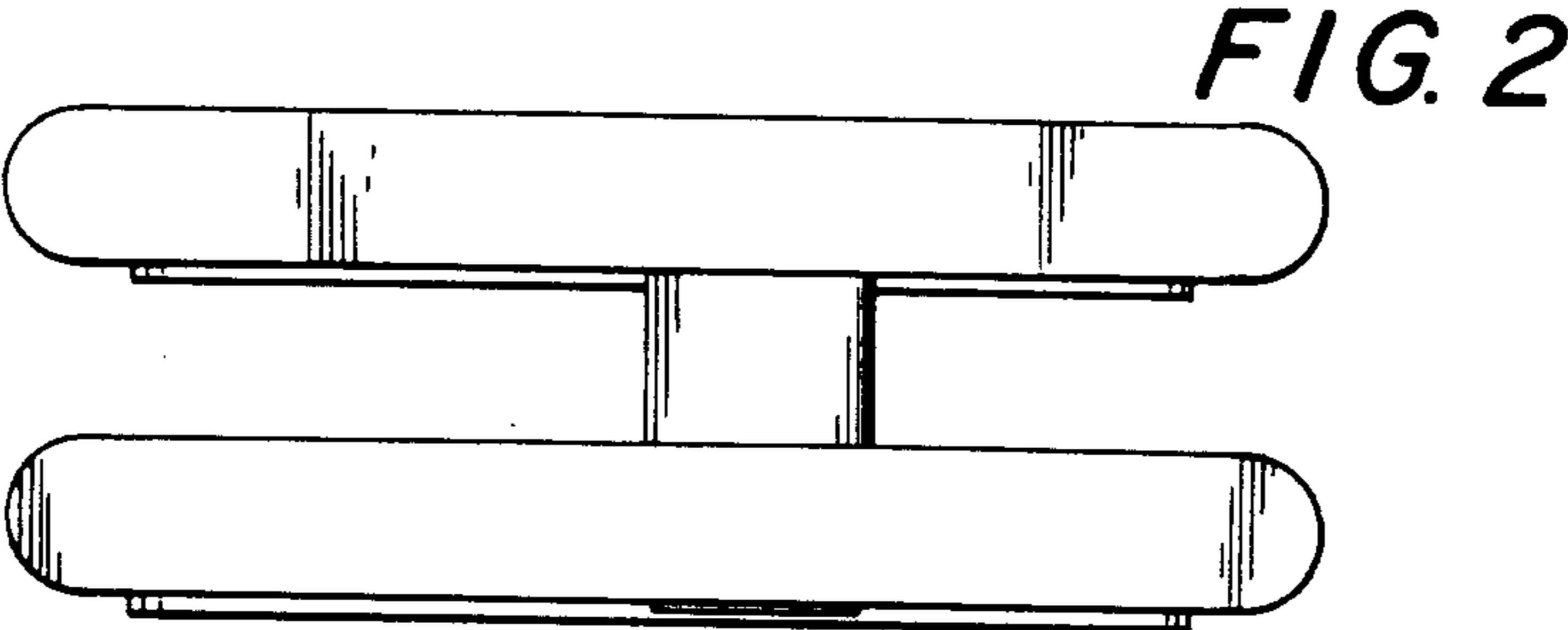
U.S. PATENT DOCUMENTS

D. 116,600	12/1939	Thorn et al. ....	D19/92
D. 142,705	10/1945	Dawer .....	D27/47
D. 201,732	7/1965	Bunn et al. ....	D19/92
D. 217,790	6/1970	Oddo .....	D19/92

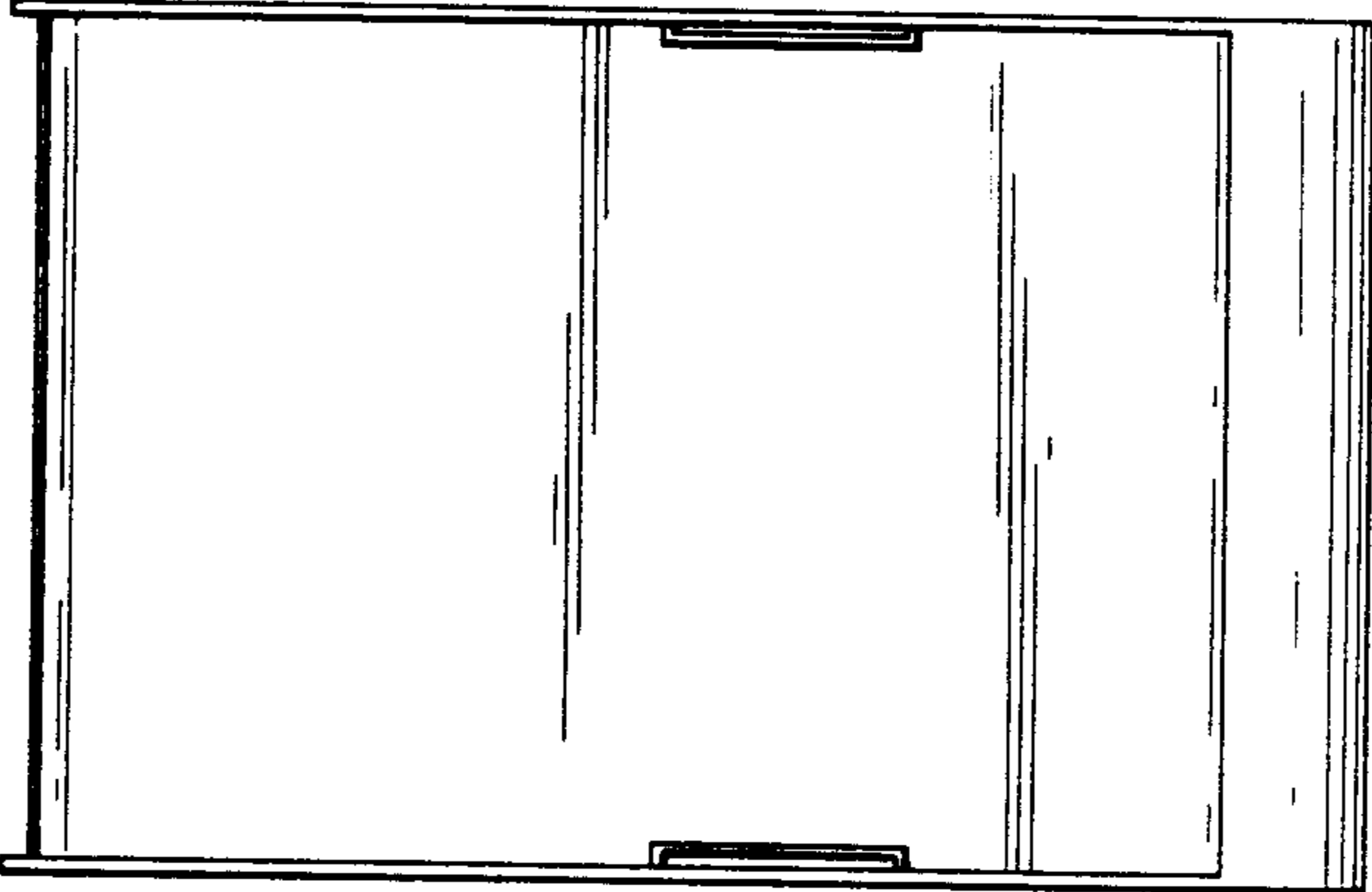




**FIG. 1**

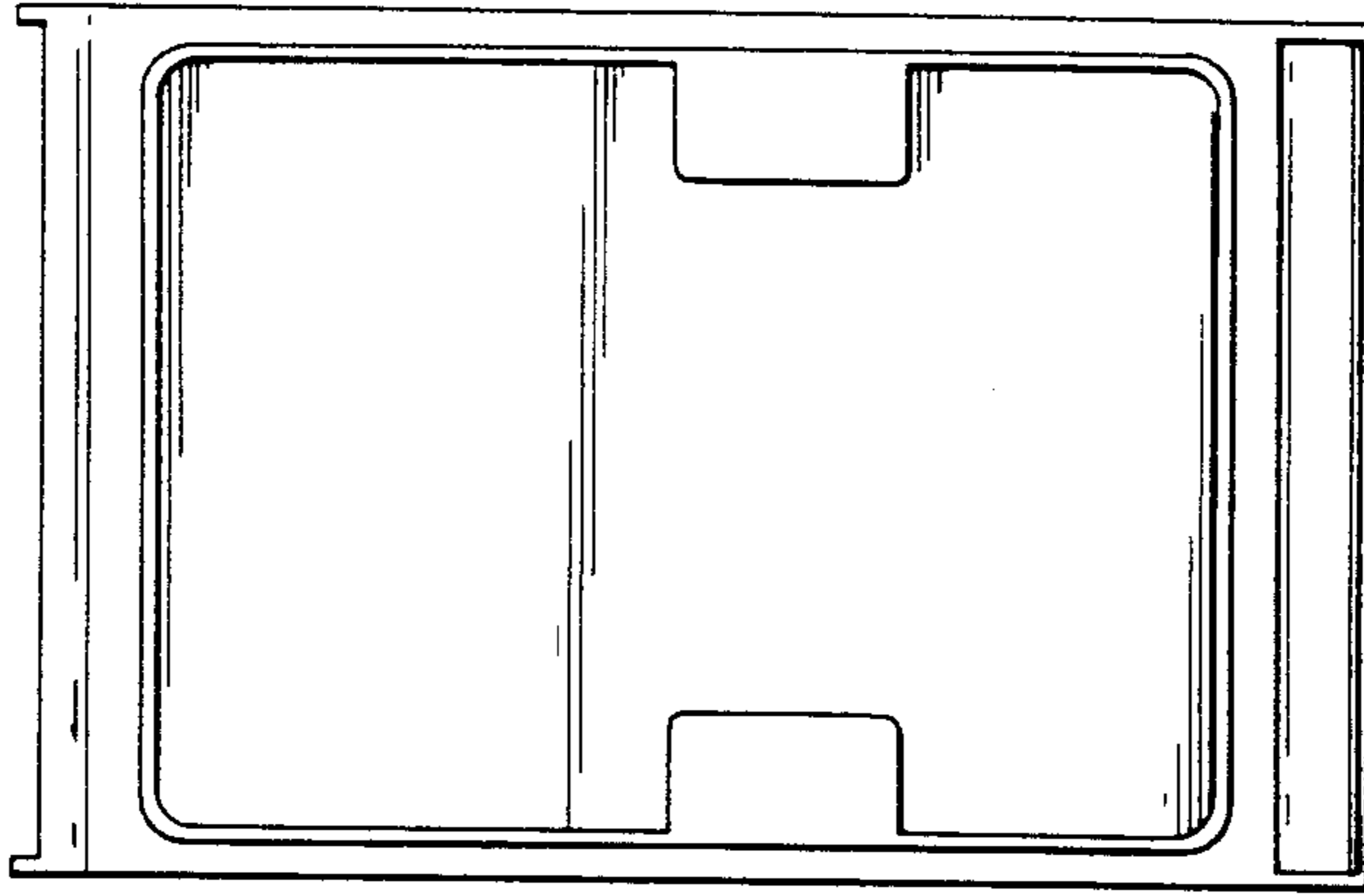


**FIG. 2**

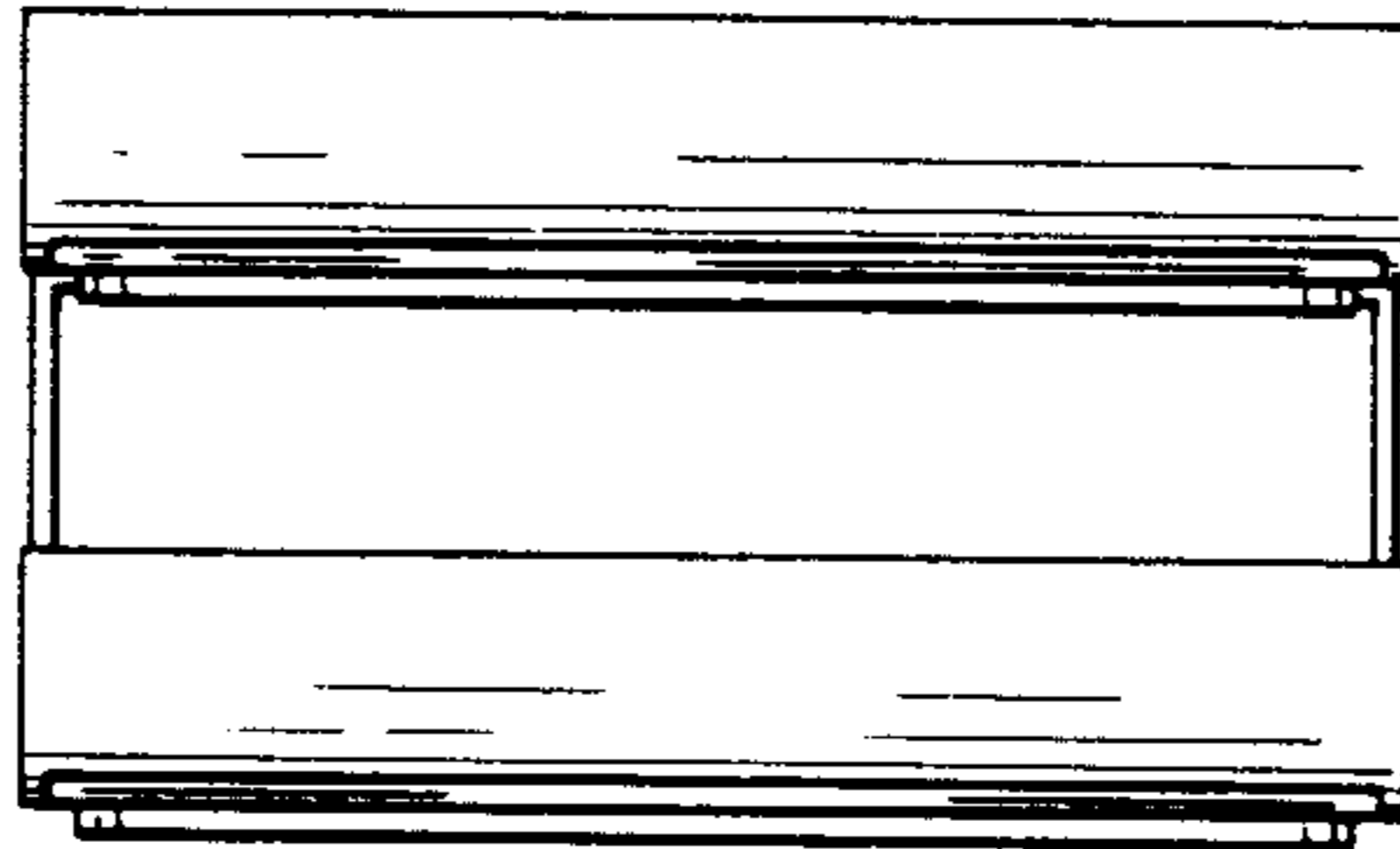


**FIG. 3**

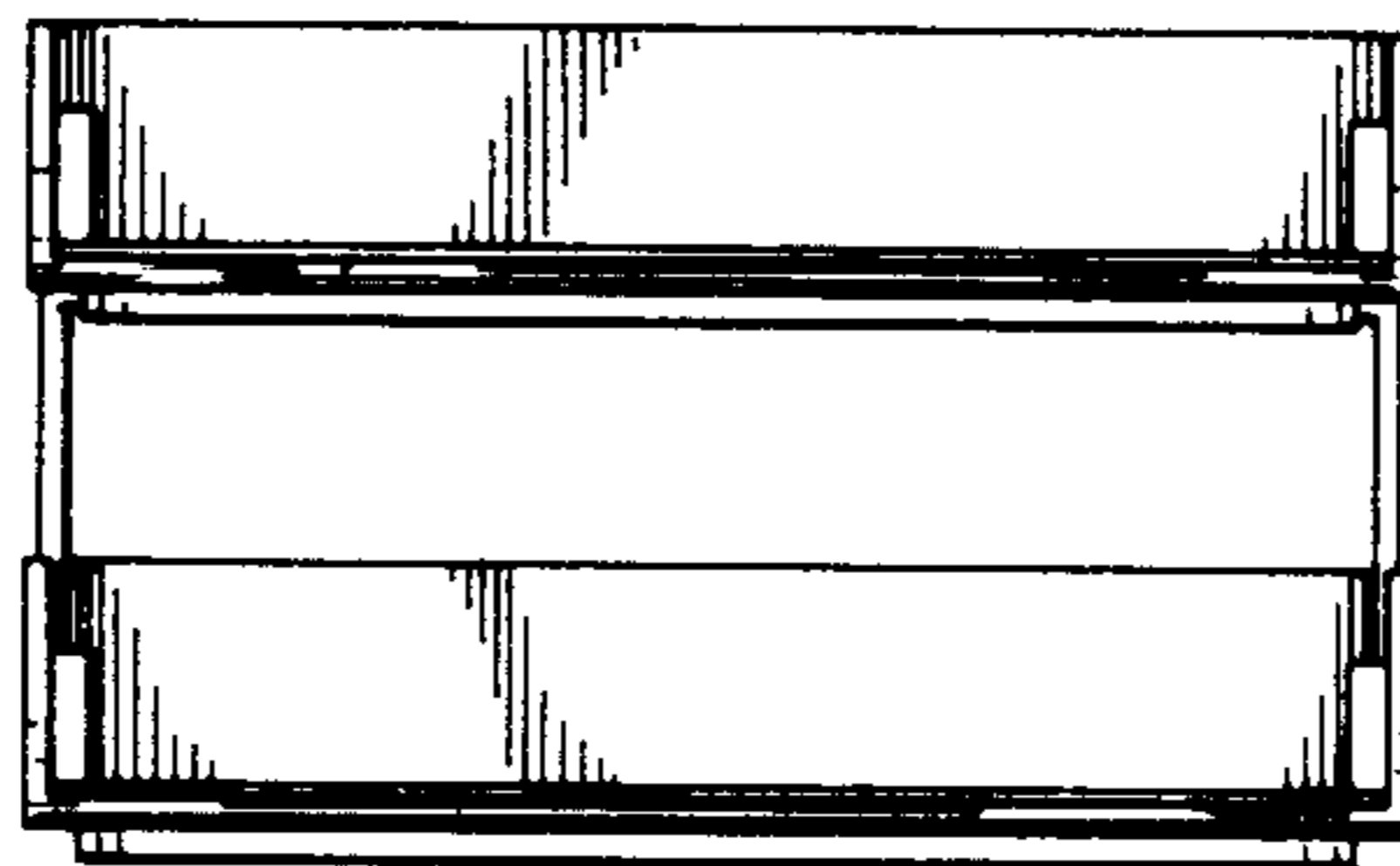
**FIG. 4**

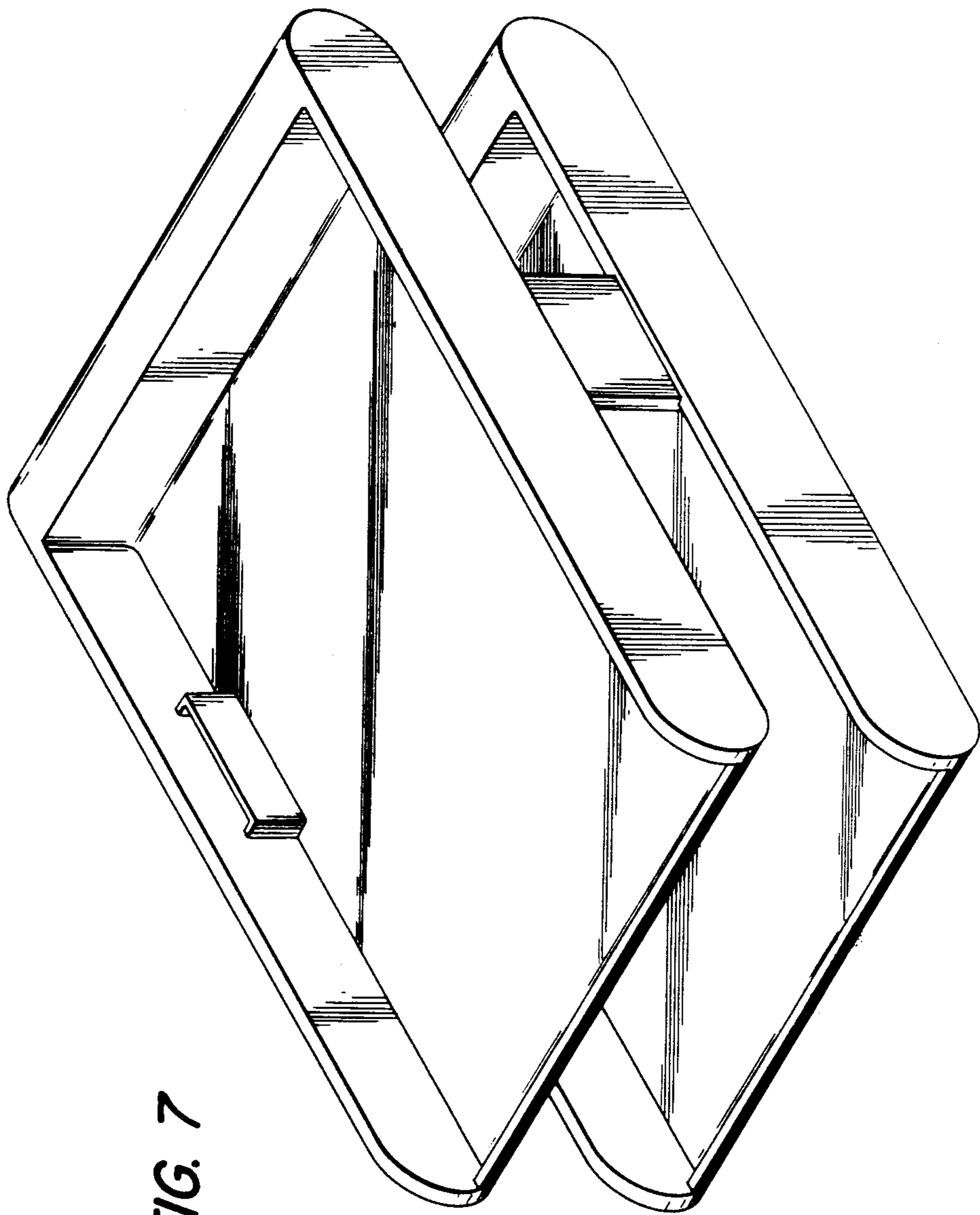


**FIG. 5**



**FIG. 6**





**FIG. 7**