

[54] EYEGLASSES

[76] Inventors: Kurt W. Wittke, 7055 Corbin, Canoga Park, Calif. 91305; Addie L. Klotz, 18742 Labrador, Northridge, Calif. 91324

[**] Term: 14 Years

[21] Appl. No.: 919,376

[22] Filed: Jun. 26, 1978

[51] Int. Cl. D16-06

[52] U.S. Cl. D16/71; D16/72

[58] Field of Search D16/65, 66, 71, 72, D16/73, 76, 77; 351/41, 44, 45, 46, 49, 50, 51, 52, 60, 83-90, 103, 104, 106, 111; D2/234; 2/12, 426, 428, 445

[56] References Cited

U.S. PATENT DOCUMENTS

D. 200,878	4/1965	Stoddart	D16/71
D. 223,053	3/1972	Woodruff	D16/71
2,225,625	12/1940	Ehrlich	351/111 X
4,045,131	8/1977	Sherman	D16/71 X

OTHER PUBLICATIONS

Sunset House Gift Catalog, 1966, p. 21, Novelty Frames.

Primary Examiner—Susan J. Lucas

Attorney, Agent, or Firm—Robert A. Schroeder

[57] CLAIM

The ornamental design for eyeglasses, as shown and described.

DESCRIPTION

FIG. 1 is a perspective view of a pair of eyeglasses embodying our new design;

FIG. 2 is a side elevational view thereof on an enlarged scale;

FIG. 3 is a rear elevational view thereof on an enlarged scale;

FIG. 4 is a bottom plan view thereof on an enlarged scale; and

FIG. 5 is a front perspective view of a second embodiment of our design, the two embodiments differing only with respect to the letter appearing in the center thereof.

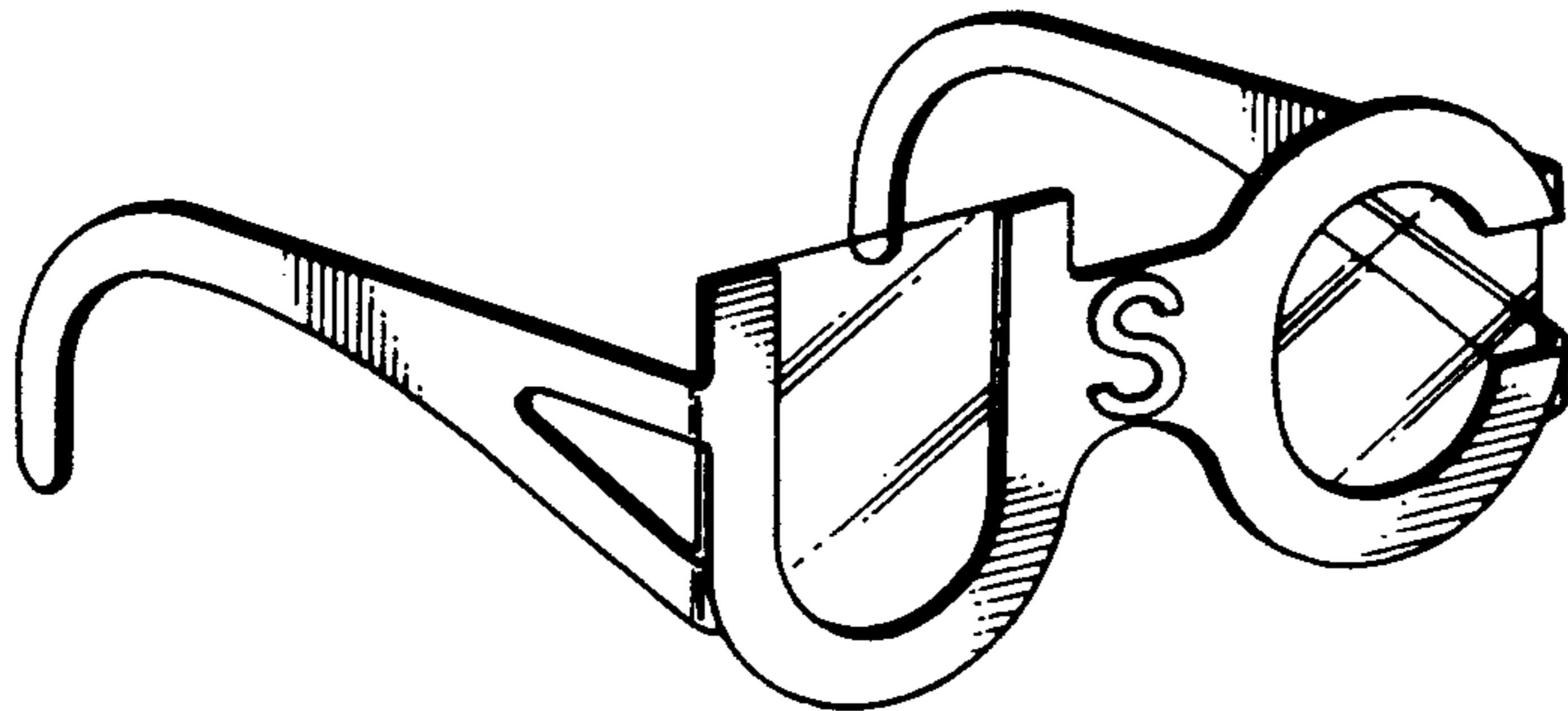


FIG. 1.

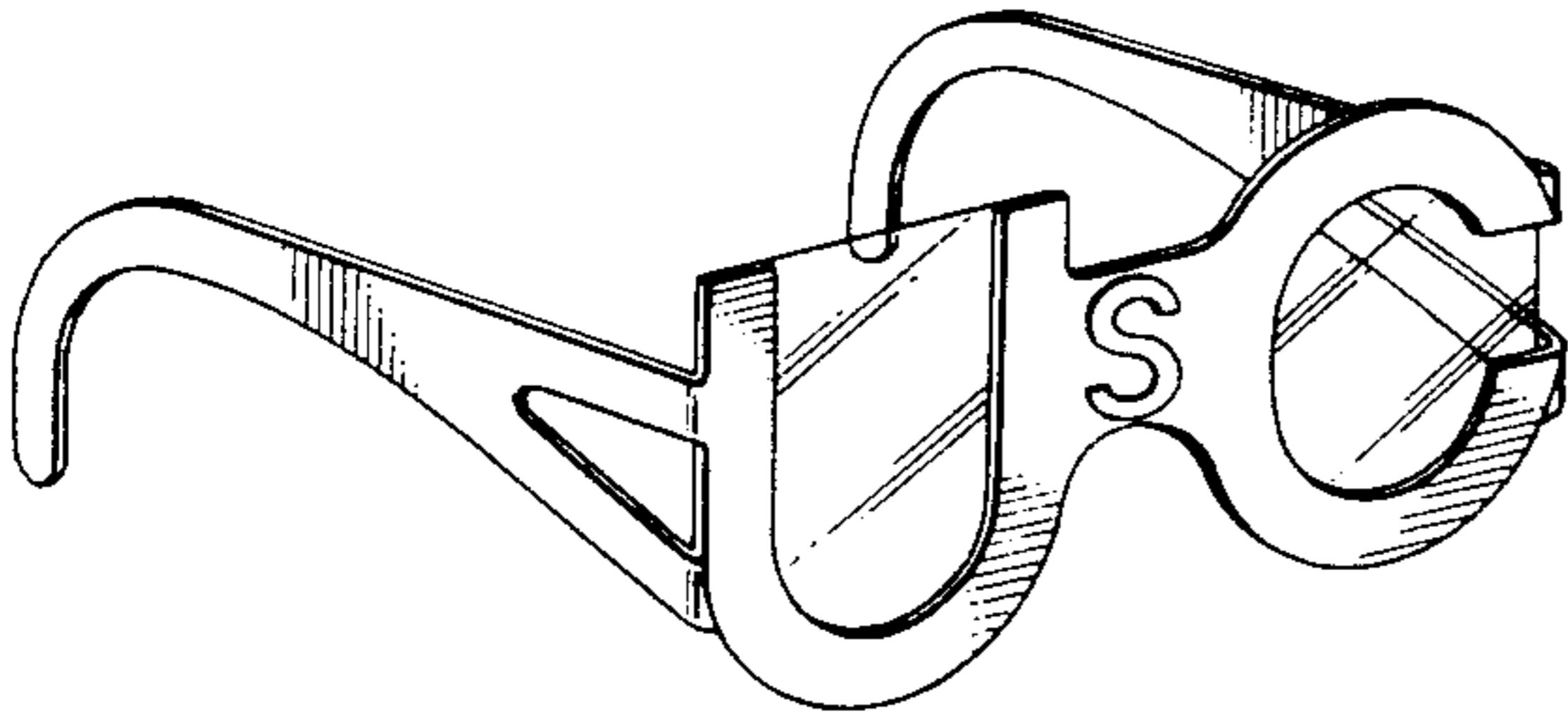


FIG. 2.

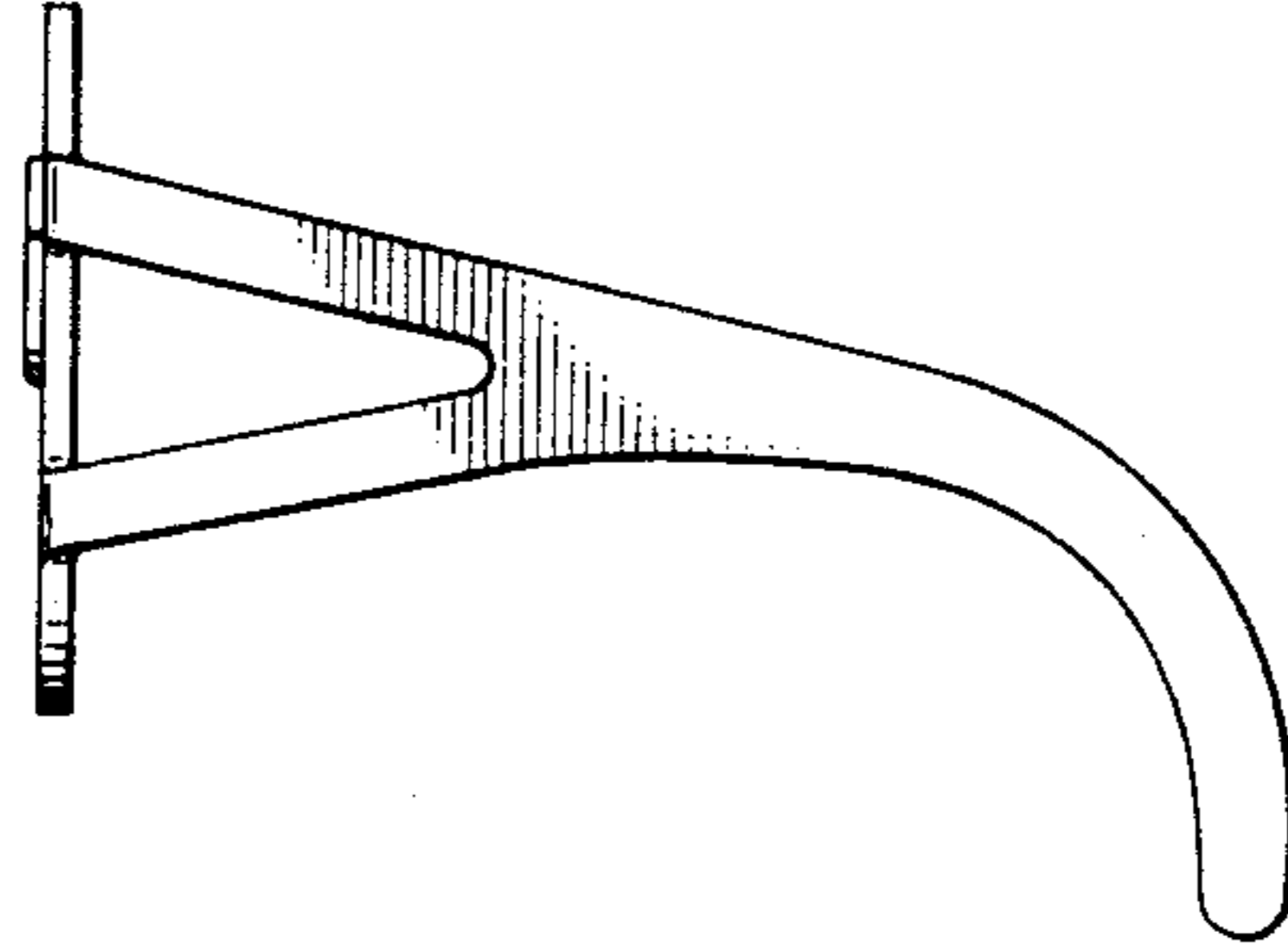


FIG. 3.

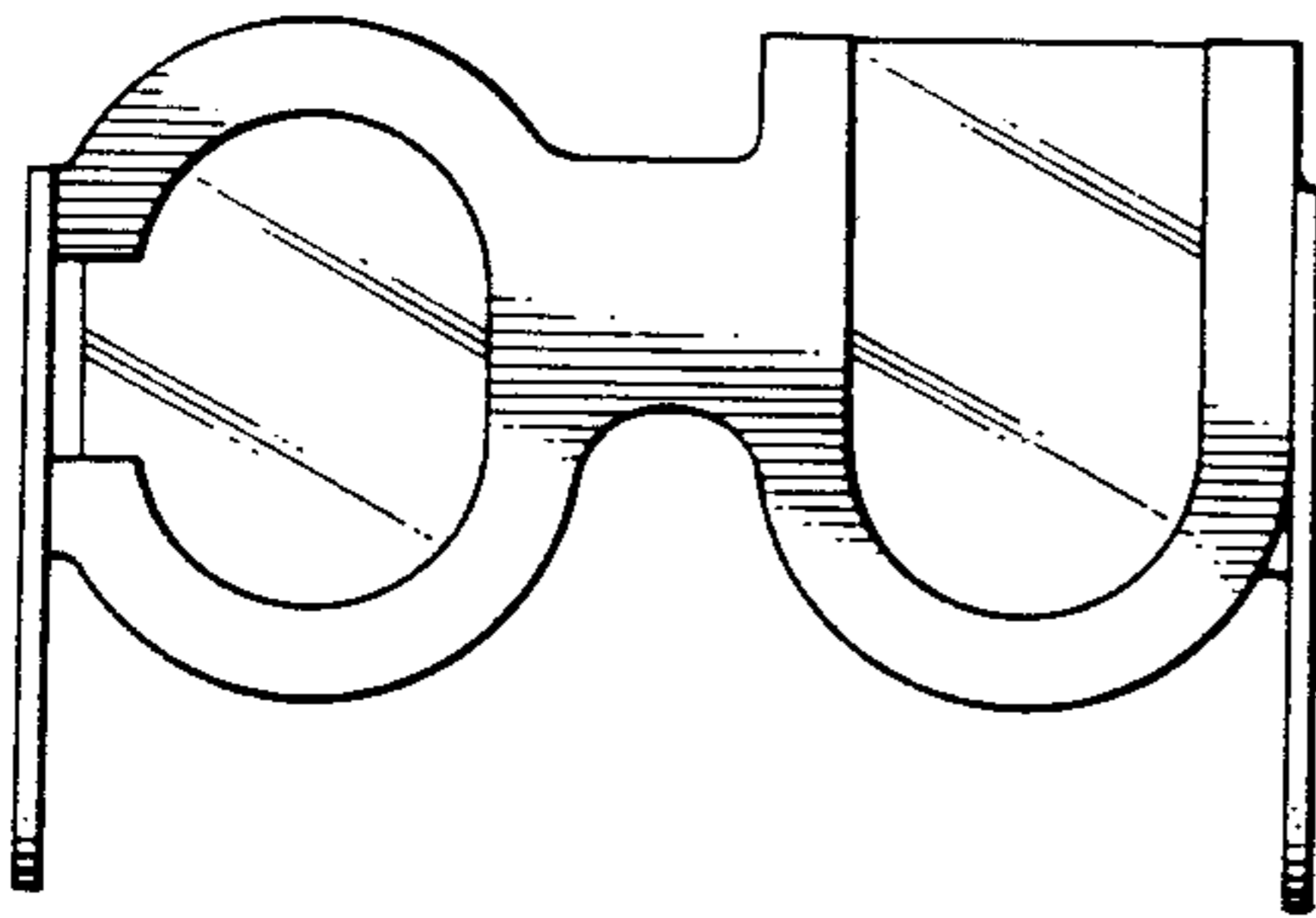


FIG. 4.

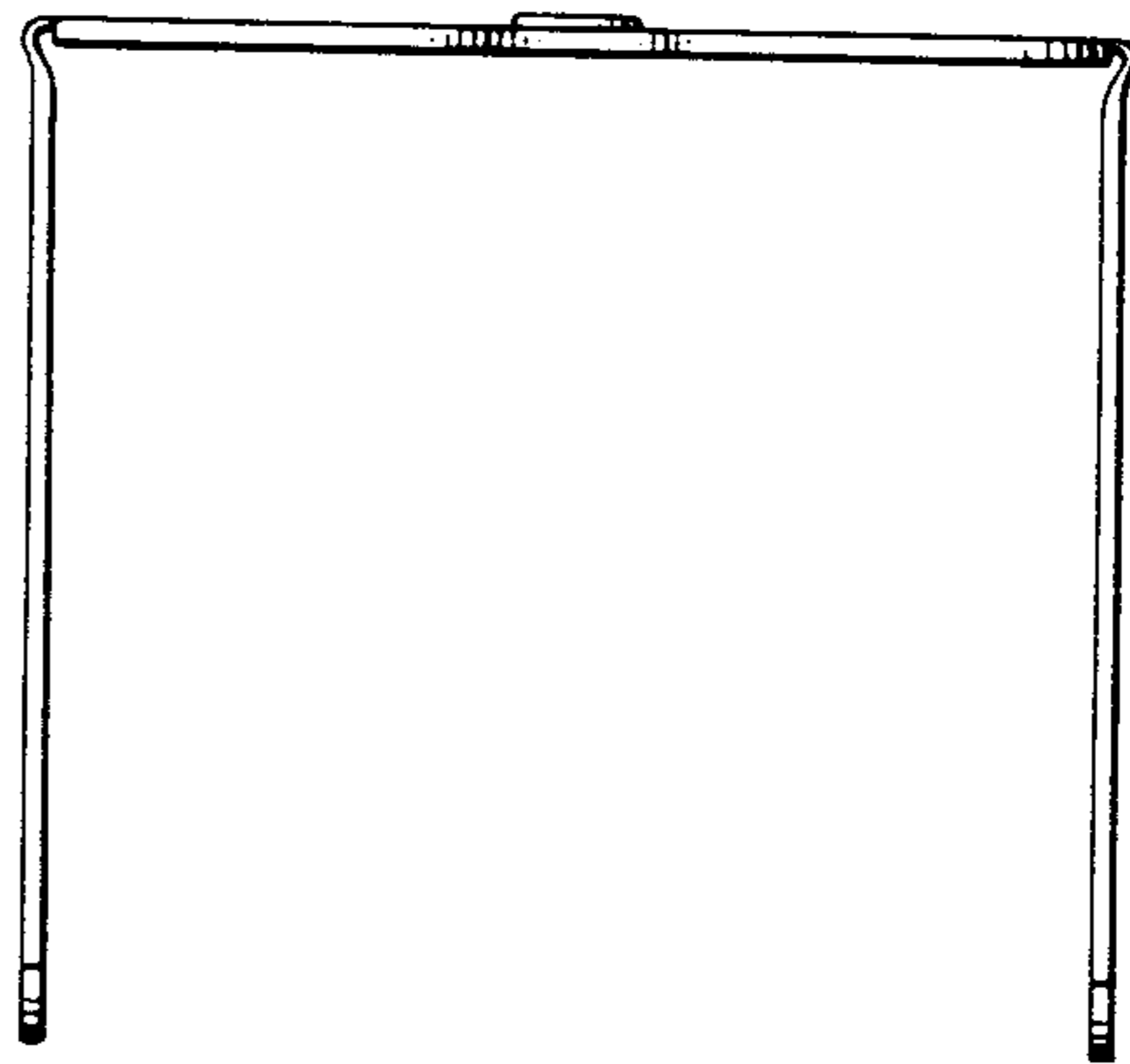


FIG. 5.

