

[54] CAMERA

[75] Inventor: Nobuki Matsumoto, Yokohama, Japan

[73] Assignee: Ricoh Company, Ltd.

[**] Term: 7 Years

[21] Appl. No.: 911,438

[22] Filed: Jun. 1, 1978

[30] Foreign Application Priority Data

Dec. 7, 1977 [JP] Japan 52-48224

[51] Int. Cl. D16-01

[52] U.S. Cl. D16/06

[58] Field of Search D16/1, 2, 5, 6, 7, 8, D16/9, 10; 354/202, 288, 152, 158, 287

[56]

References Cited

U.S. PATENT DOCUMENTS

D. 148,765	2/1948	Clement	D16/5
D. 170,032	7/1953	Schwartz et al.	D16/5
D. 222,845	1/1972	Matsuda et al.	D16/8
D. 234,820	4/1975	Kato	D16/8
D. 252,399	7/1979	Waaske	D16/5
3,103,151	9/1963	Borghesani	354/192
4,172,647	10/1979	Gold	354/288 X

Primary Examiner—Catherine E. Kemper
Attorney, Agent, or Firm—John J. McGlew

[57]

CLAIM

The ornamental design for a camera, as shown.

DESCRIPTION

FIG. 1 is a front elevational view of a camera showing my new design;

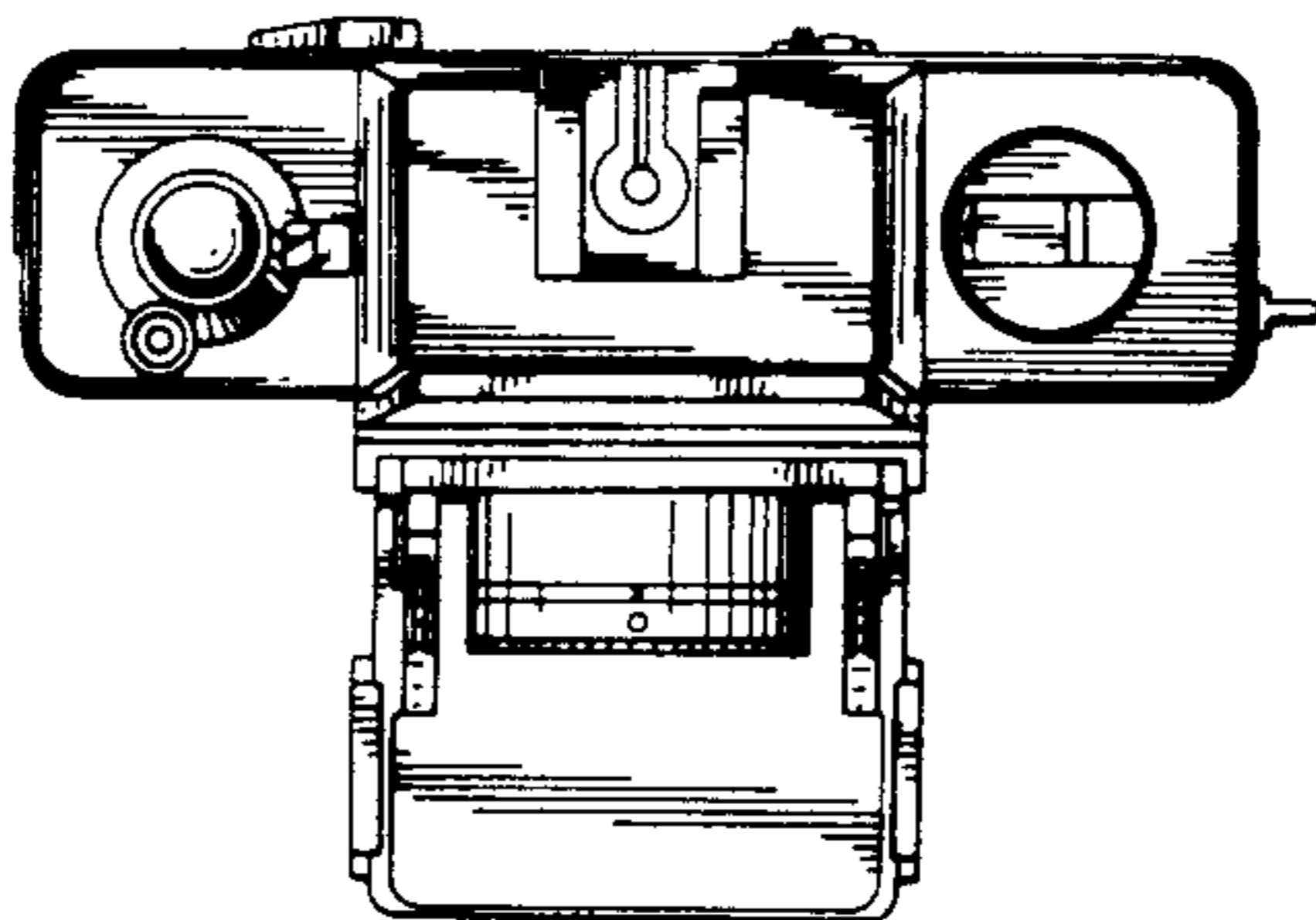
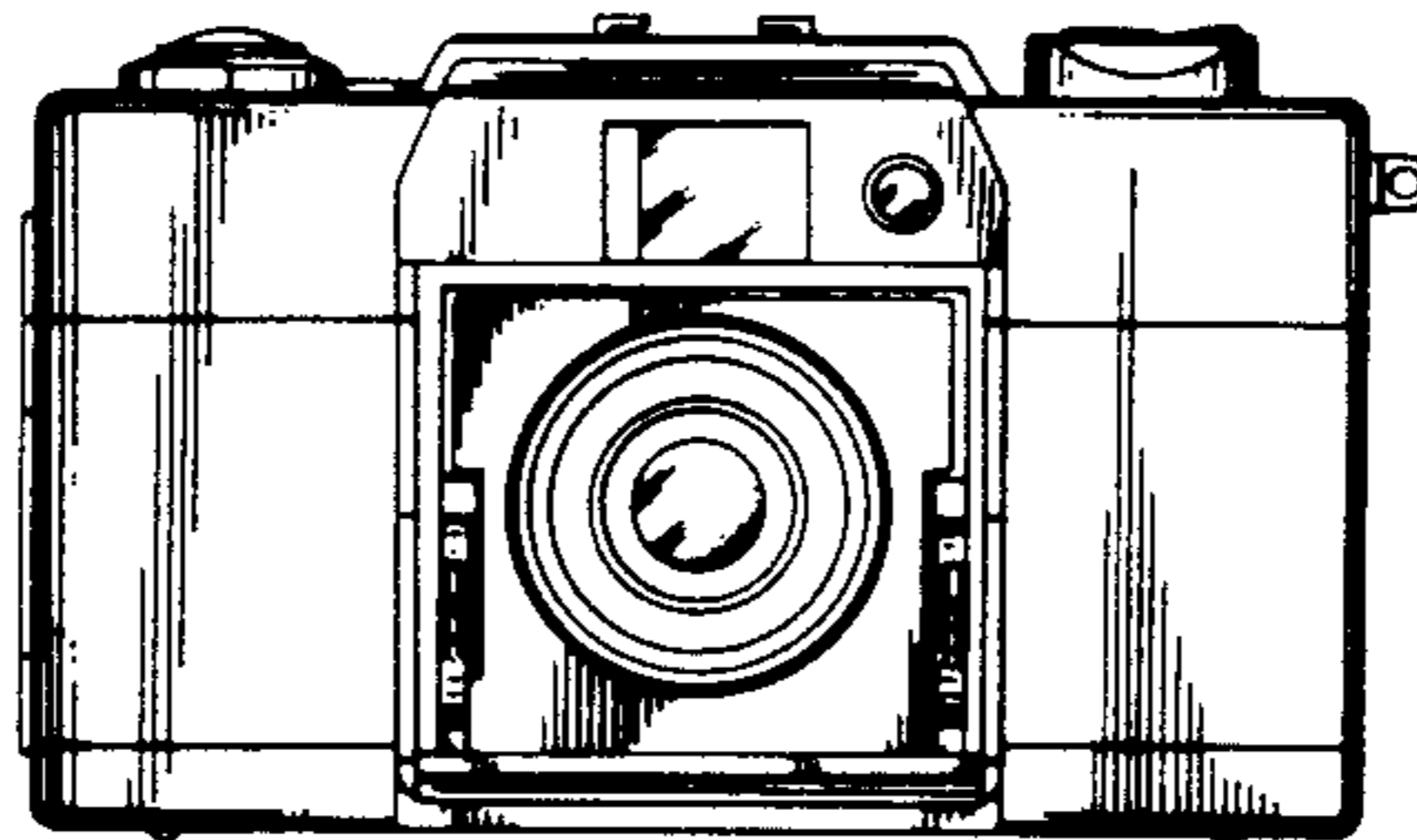
FIG. 2 is a top plan view thereof;

FIG. 3 is a right side elevational view thereof;

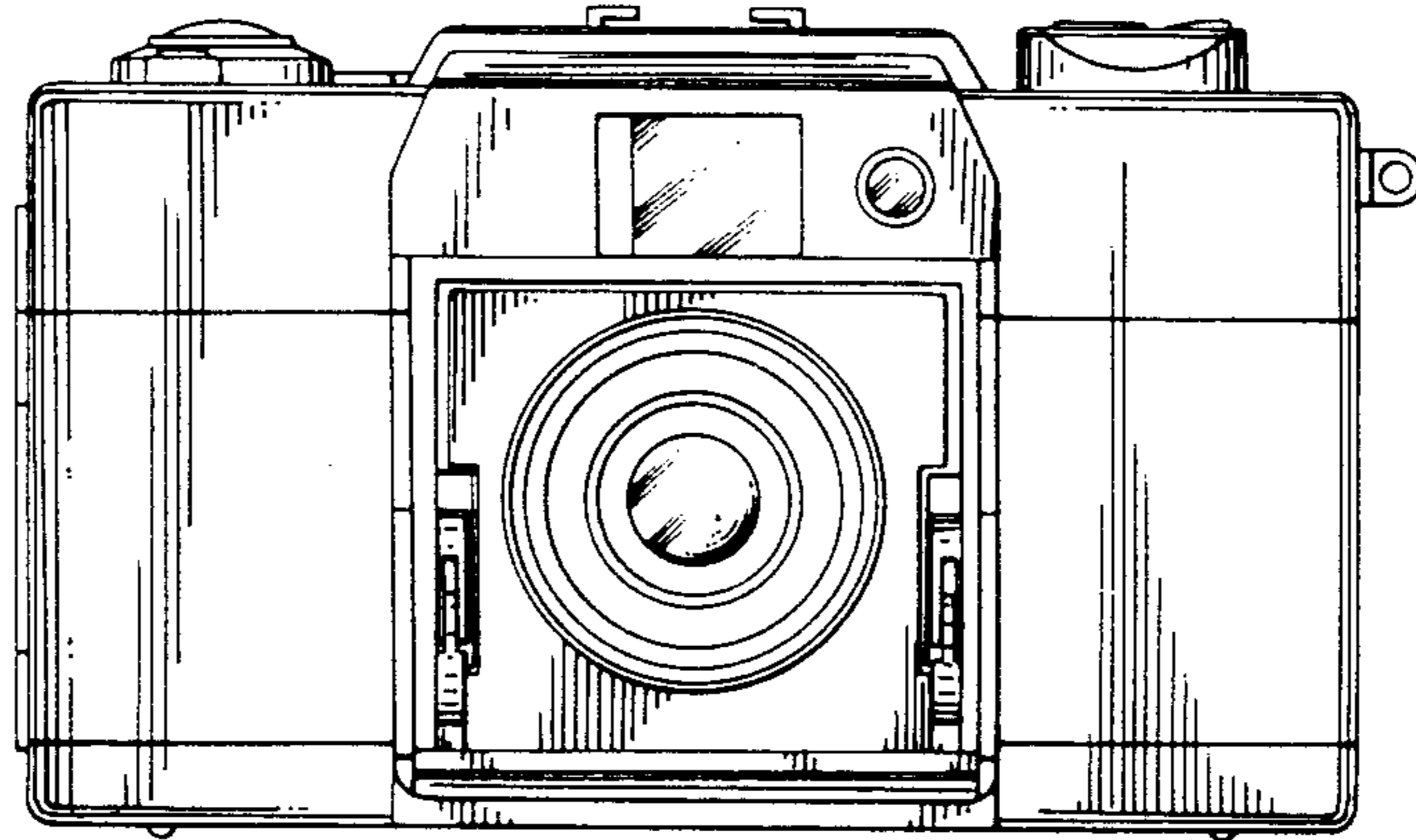
FIG. 4 is a left side elevational view thereof;

FIG. 5 is a rear elevational view thereof; and

FIG. 6 is a bottom view thereof.



F I G . 1



F I G . 2

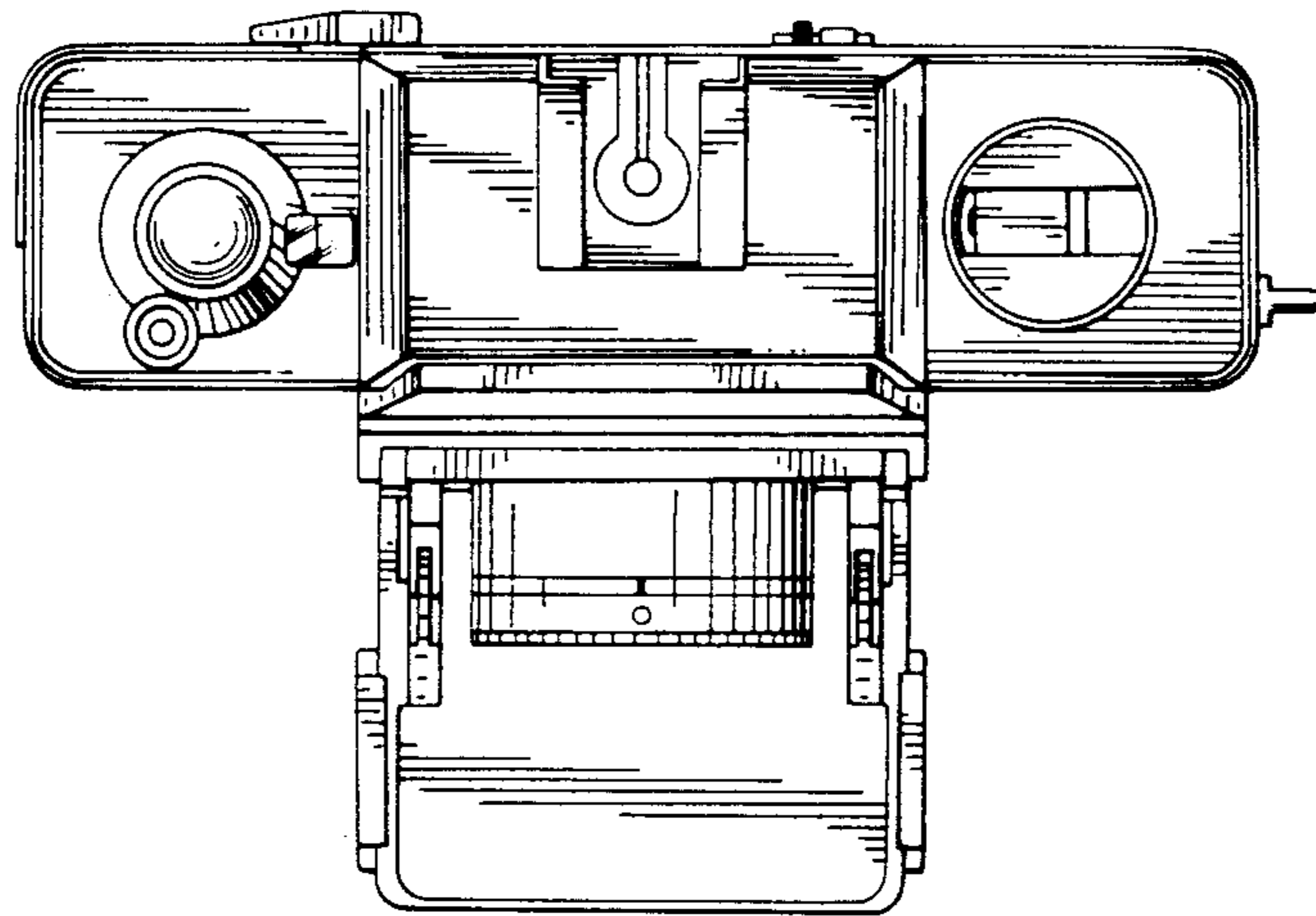


FIG. 3

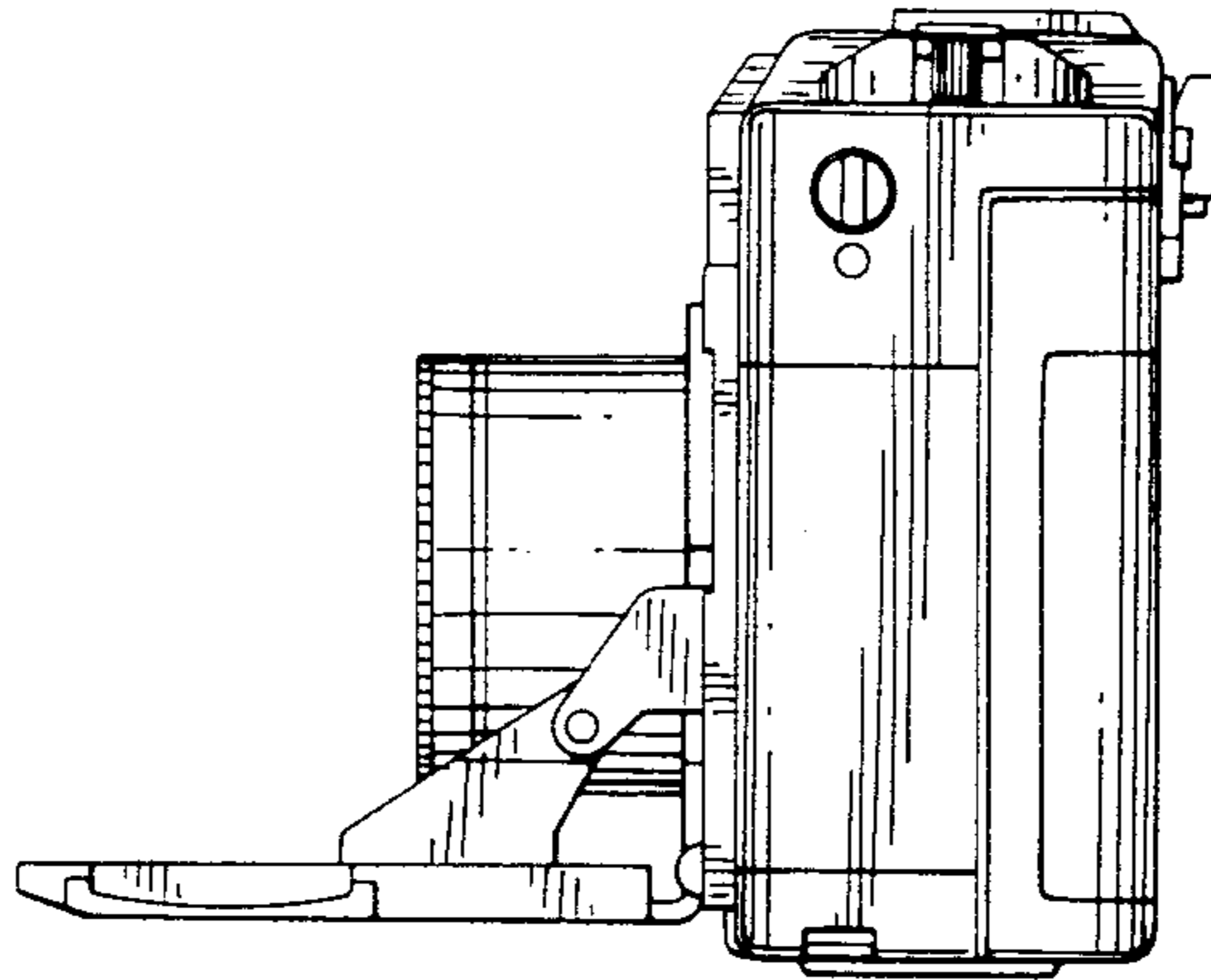


FIG. 4

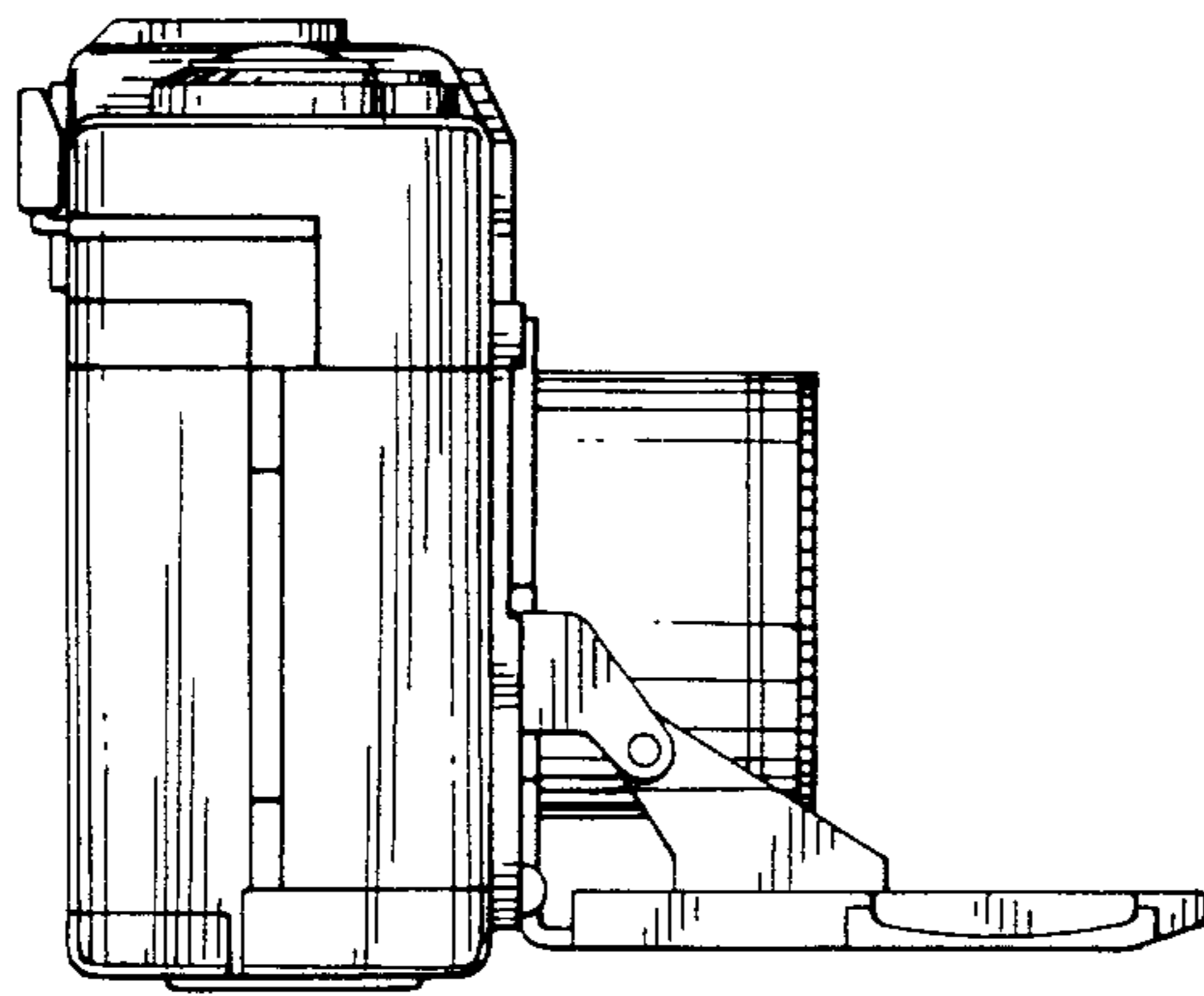


FIG. 5

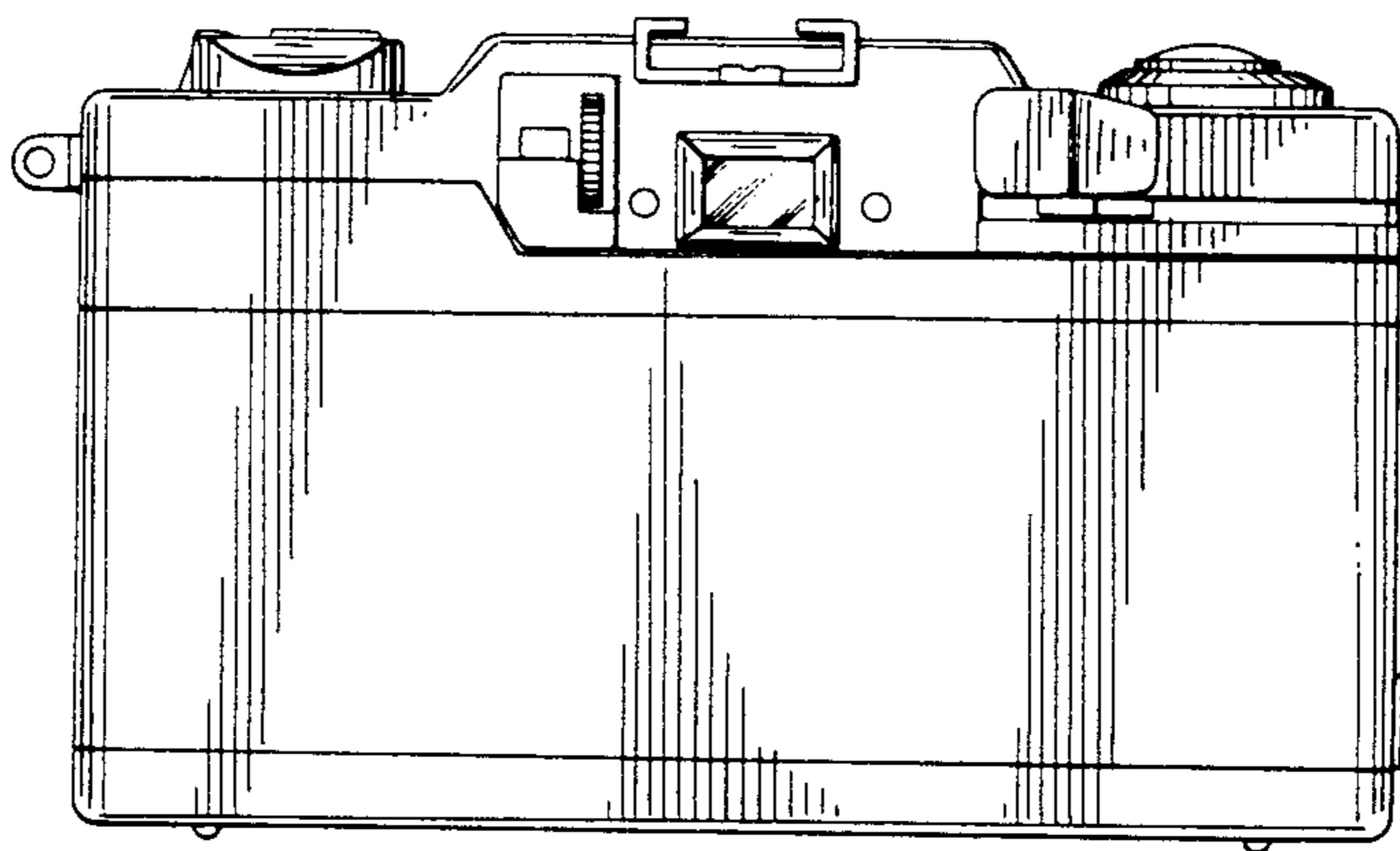


FIG. 6

