

[54] SAW TABLE

[75] Inventors: Milton E. Handler, Northbrook;
Richard Sylvan, Glenview; Herbert
Baisch, Niles, all of Ill.

[73] Assignee: Hirsh Company, Skokie, Ill.

[**] Term: 14 Years

[21] Appl. No.: 947,760

[22] Filed: Oct. 2, 1978

[51] Int. Cl. D15-09
[52] U.S. Cl. D15/133; D15/141
[58] Field of Search D15/133, 134, 141;
248/646; 83/859; 144/286 R; D6/179

[56]

References Cited

U.S. PATENT DOCUMENTS

D. 234,902	4/1975	Marsh et al.	D15/133
2,599,170	6/1952	Franks	248/646
3,841,188	10/1974	Wiater	D15/133
4,105,055	8/1978	Brenta	144/286 R

Primary Examiner—Wallace R. Burke
Assistant Examiner—B. J. Bullock
Attorney, Agent, or Firm—Dressler, Goldsmith, Shore,
Sutker & Milnamow, Ltd.

[57]

CLAIM

The ornamental design for a saw table, substantially as shown and described.

DESCRIPTION

FIG. 1 is a perspective view of a saw table showing our new design;
FIG. 2 is a side elevational view taken from the left of FIG. 1;
FIG. 3 is a top plan view thereof; and
FIG. 4 is a rear elevational view thereof.

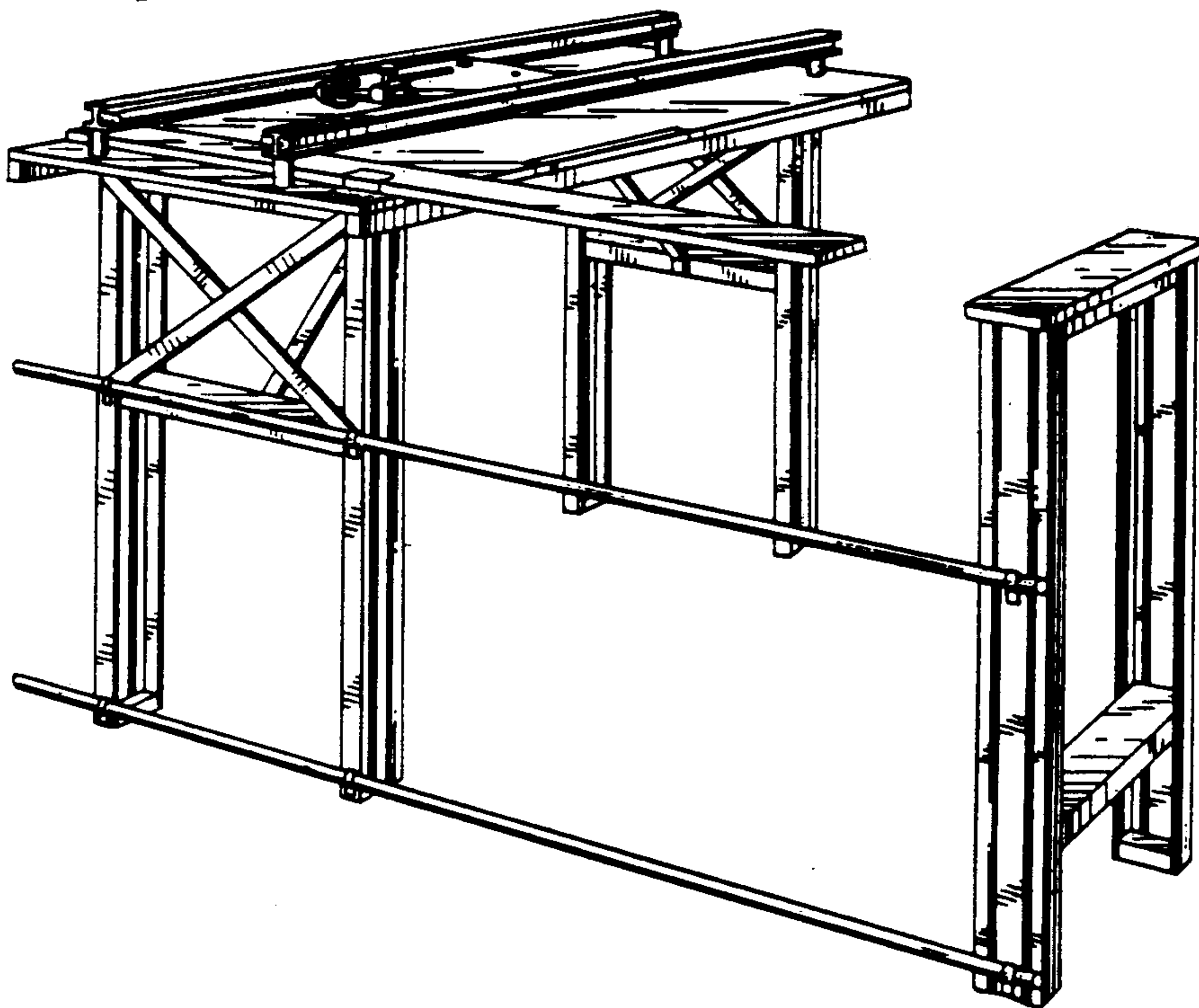


Fig. 1.

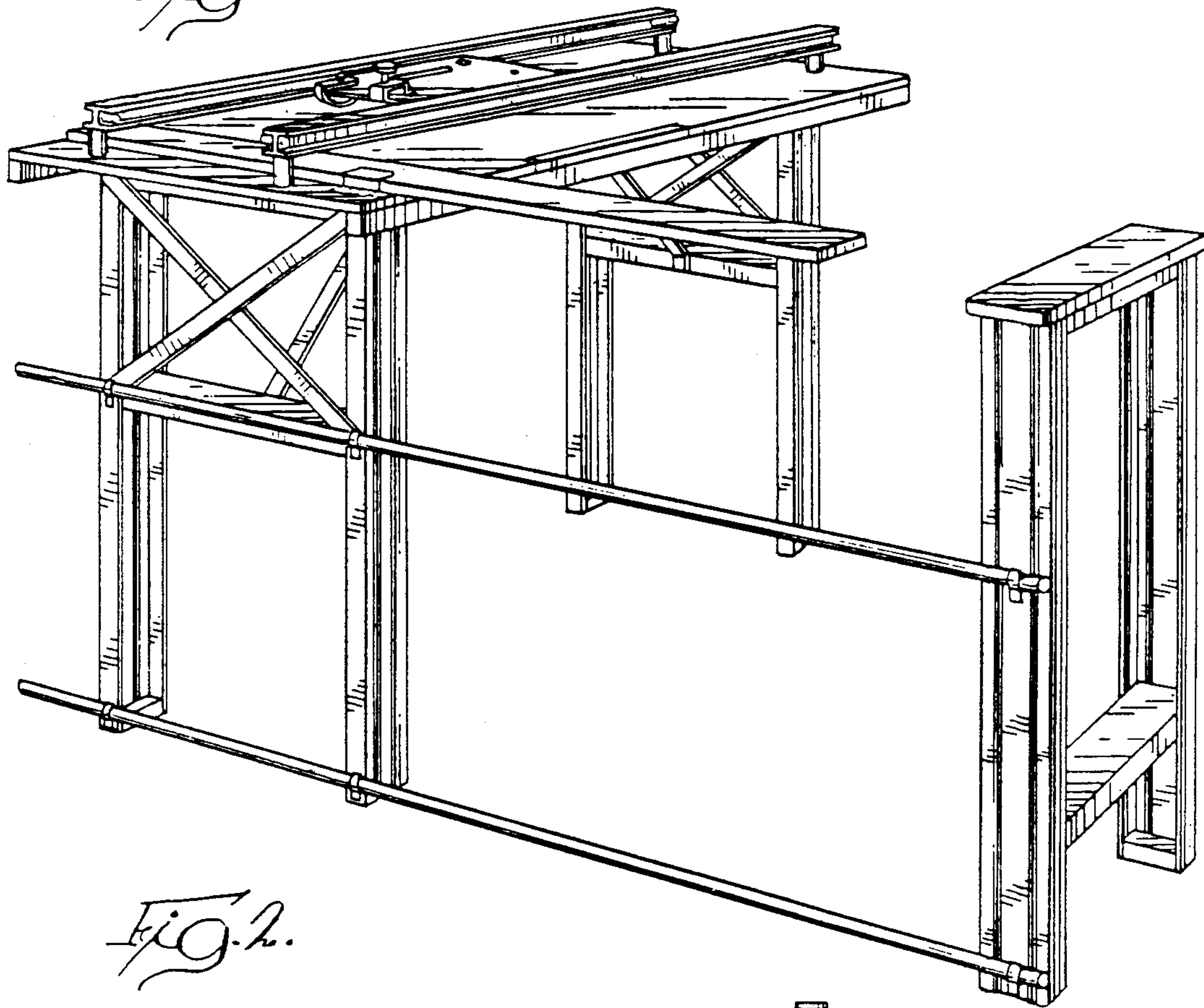


Fig. 2.

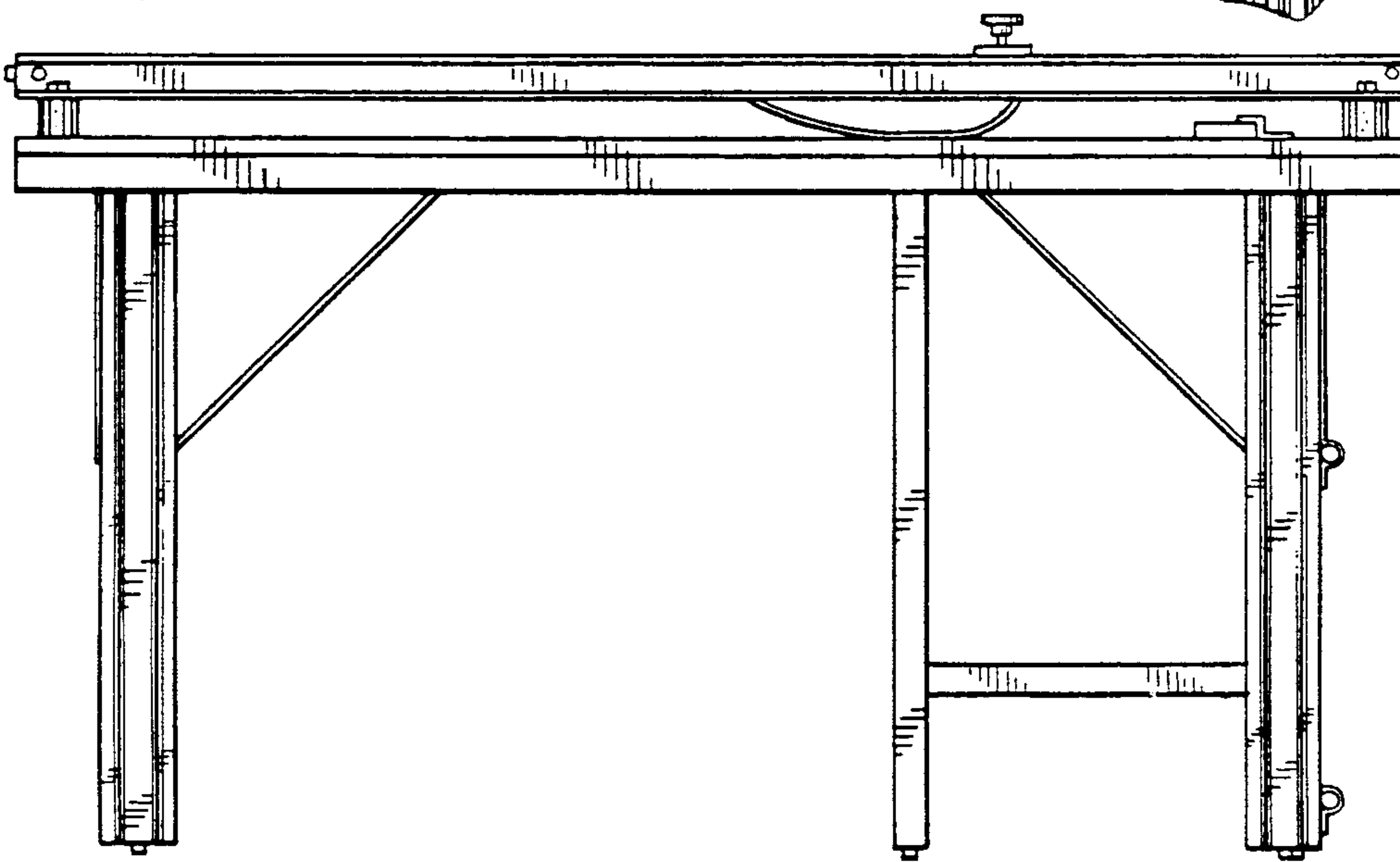


Fig. 3.

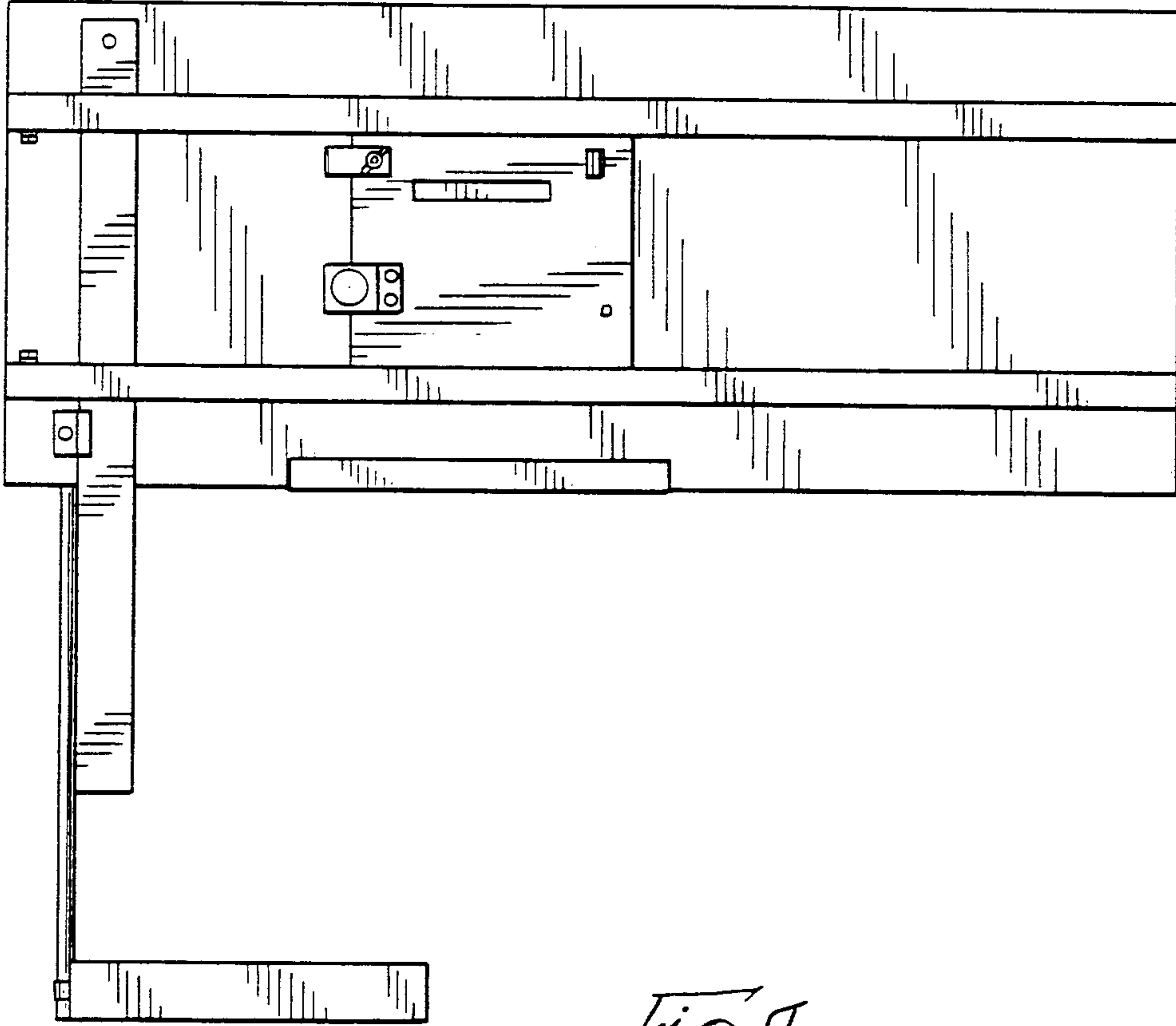


Fig. 4.

