

[54] **POWER SCRUBBER**

[75] Inventors: **Carl Parise; Gary L. Fullerton; Wallace O. Birdsall**, all of Reno, Nev.

[73] Assignee: **Parise & Sons, Inc.**, Reno, Nev.

[**] Term: **14 Years**

[21] Appl. No.: **897,607**

[22] Filed: **Apr. 18, 1978**

[51] Int. Cl. **D15-05**

[52] U.S. Cl. **D15/63**

[58] Field of Search **D15/56, 62, 63, 64; 15/320, 321, 322**

D. 232,298 8/1974 Jones D15/63

3,439,374 4/1969 Wisdom 15/321

4,019,218 4/1977 Cyphert 15/321

4,095,309 6/1978 Sundheim 15/321 X

Primary Examiner—Catherine E. Kemper
Attorney, Agent, or Firm—Richard C. Sughrue

[57] **CLAIM**

The ornamental design for a power scrubber, as shown and described.

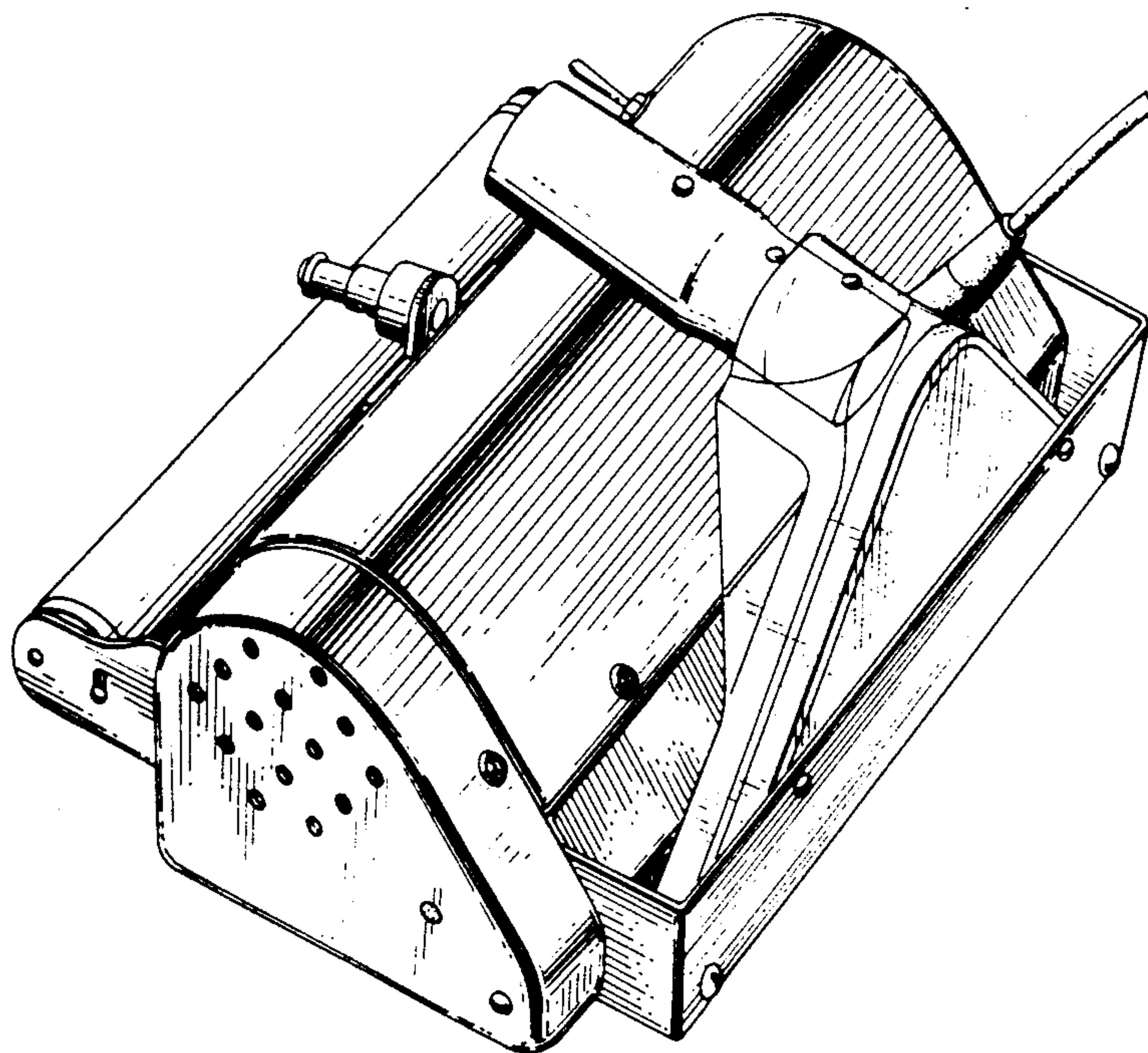
DESCRIPTION

FIG. 1 is a top, front and left side perspective view of a power scrubber showing our new design;
 FIG. 2 is a top, rear and right side perspective view thereof; and
 FIG. 3 is a bottom plan view thereof shown on a slightly larger scale.
 The cord has been shown fragmentarily in FIGS. 1 and 2 for convenience of illustration.

[56] **References Cited**

U.S. PATENT DOCUMENTS

D. 231,894 6/1974 Knight D15/52



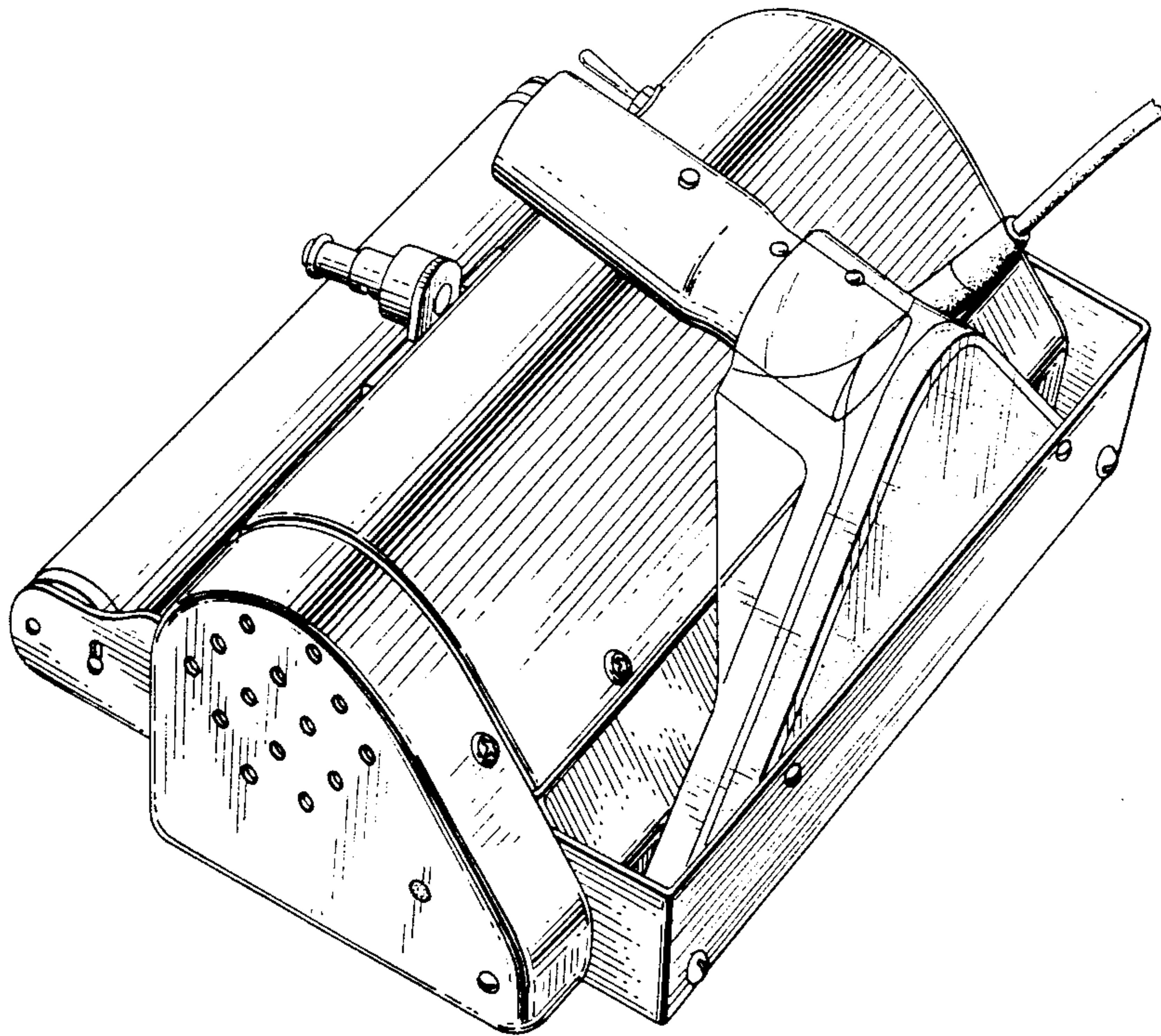


FIG. 1

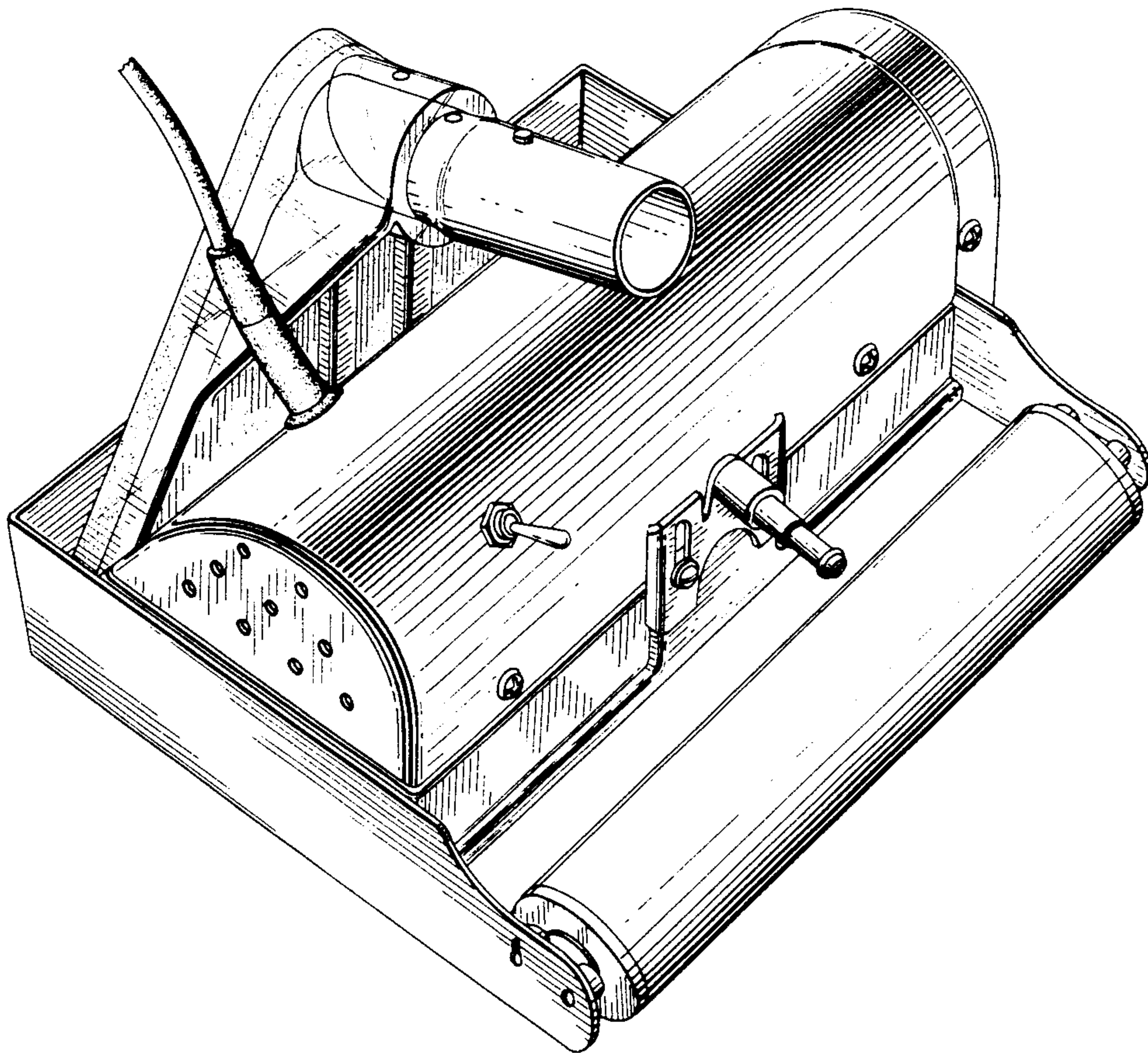


FIG. 2

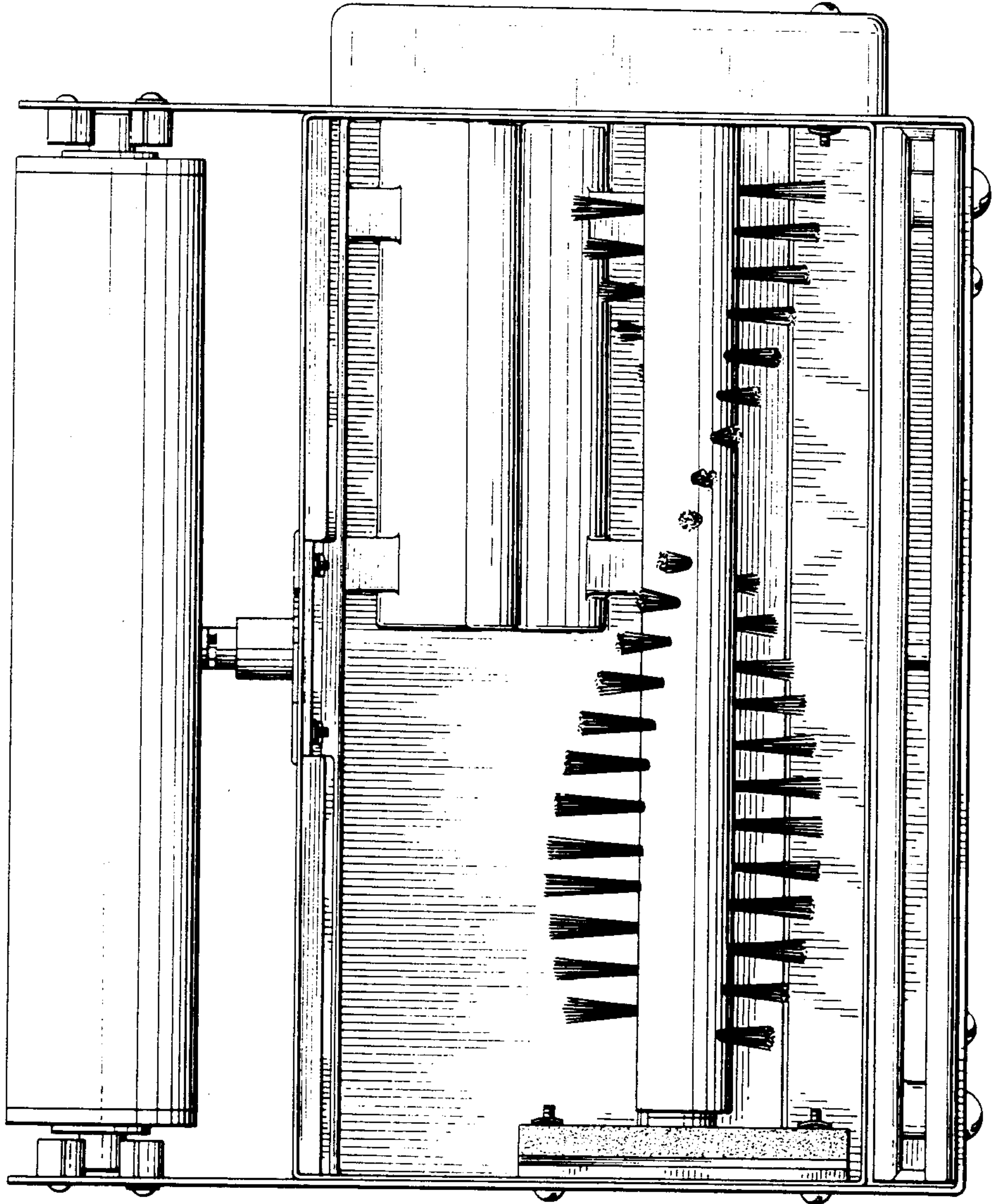


FIG. 3