

[54] TWO-CYLINDER VERTICAL SHAFT  
INTERNAL COMBUSTION ENGINE

[75] Inventor: Clifford B. Stevens, Milwaukee, Wis.

[73] Assignee: Briggs & Stratton Corporation

[\*\*] Term: 14 Years

[21] Appl. No.: 847,119

[22] Filed: Oct. 31, 1977

[51] Int. Cl. .... D15-1

[52] U.S. Cl. .... D15/1

[58] Field of Search ..... D15/1, 3; 123/56 B,  
123/56 BA, 56 BC, 41.66, 41.67, 41.7, 195 C

[56] References Cited

U.S. PATENT DOCUMENTS

D. 247,177 2/1978 Stevens ..... D15/1

Primary Examiner—James M. Gandy  
Attorney, Agent, or Firm—Ira Milton Jones

[57] CLAIM

The ornamental design for a two cylinder vertical shaft internal combustion engine, as shown and described.

DESCRIPTION

FIG. 1 is a left front perspective view of a two-cylinder vertical shaft internal combustion engine showing my new design;

FIG. 2 is a left rear perspective view thereof;

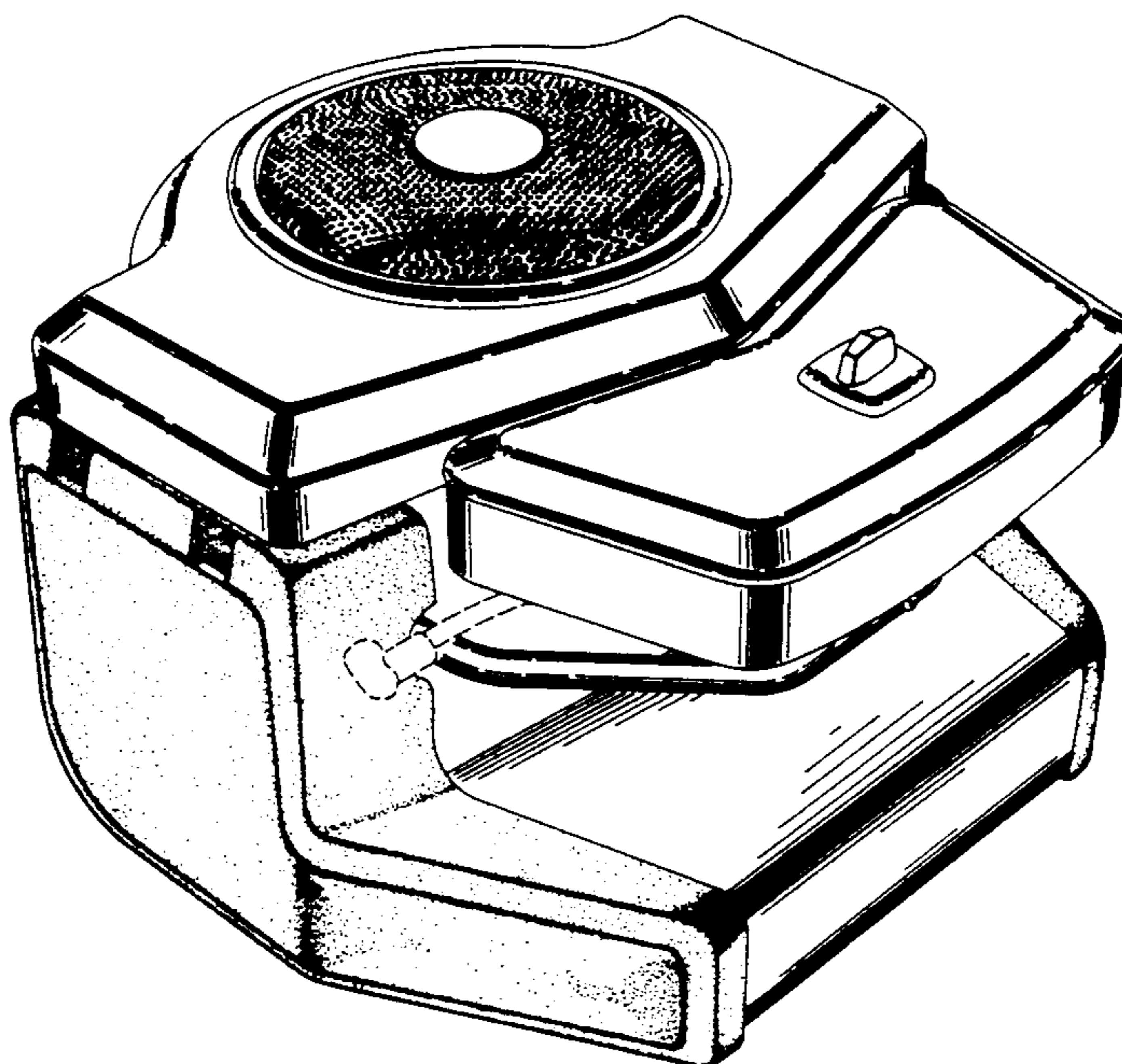
FIG. 3 is a left side perspective view thereof;

FIG. 4 is a right side perspective view thereof;

FIG. 5 is a front elevational view thereof; and

FIG. 6 is a rear elevational view thereof.

The broken lines in the drawing are for illustrative purposes only.



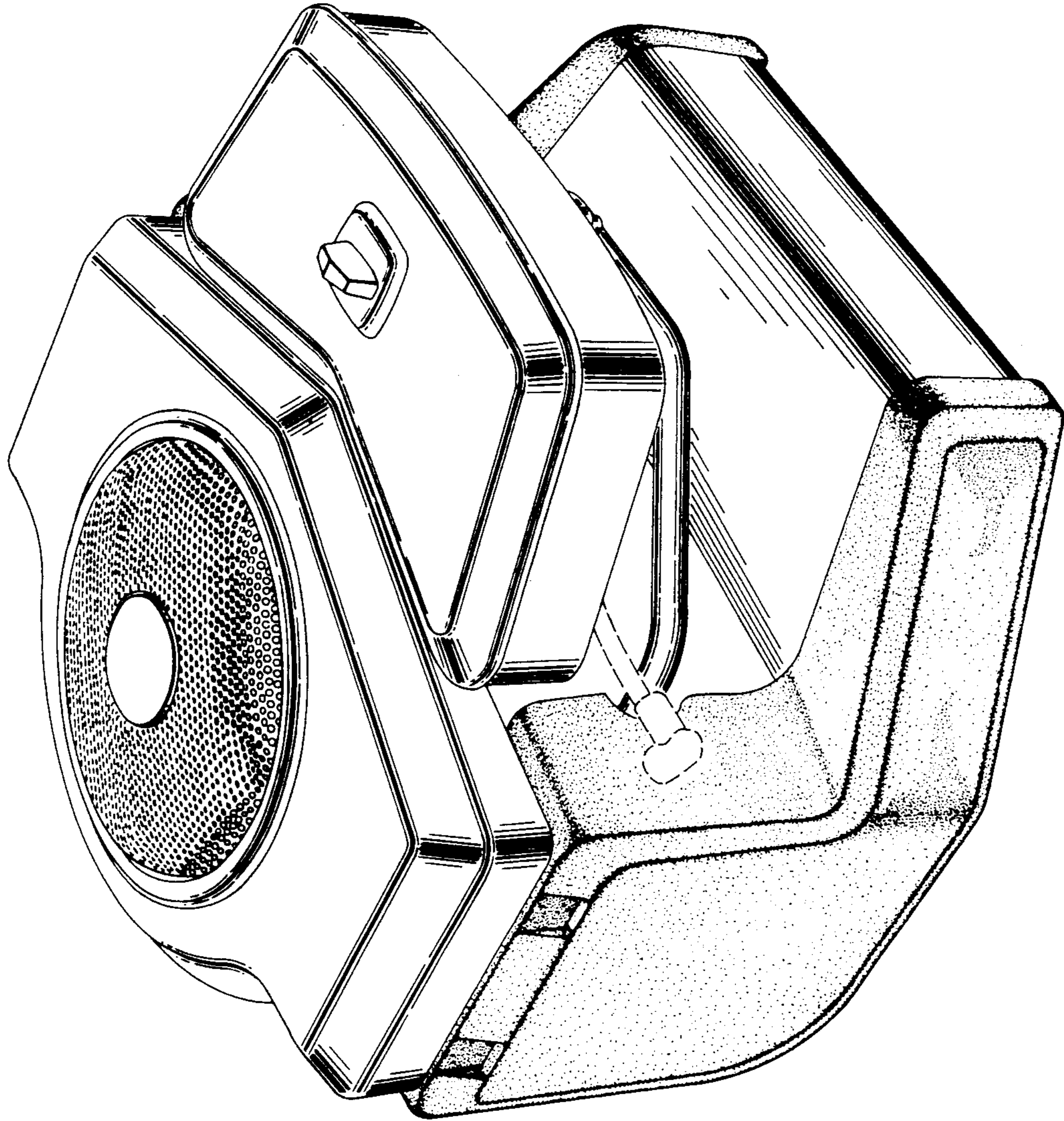
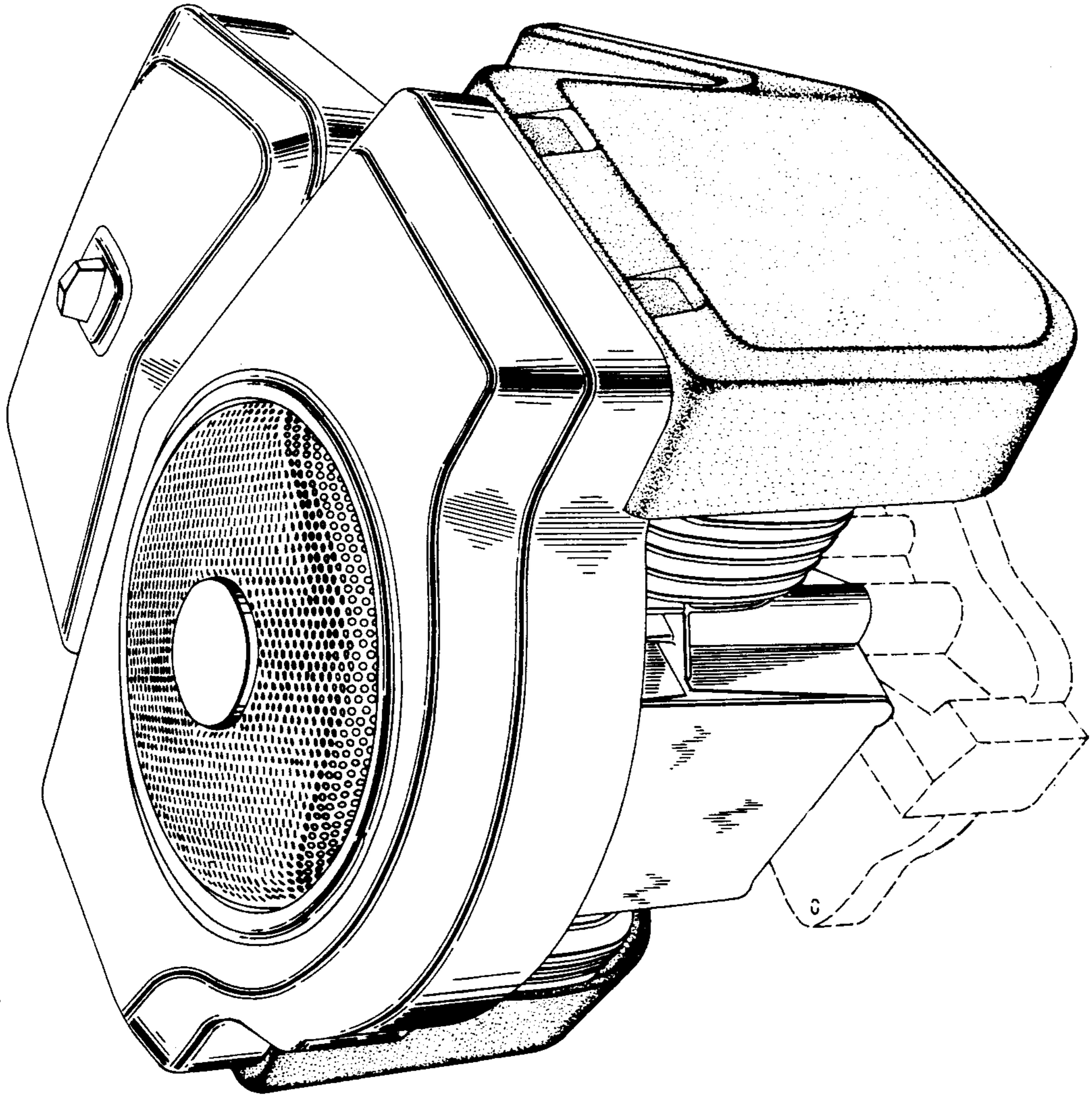


FIG. 1.



FIG. 2.



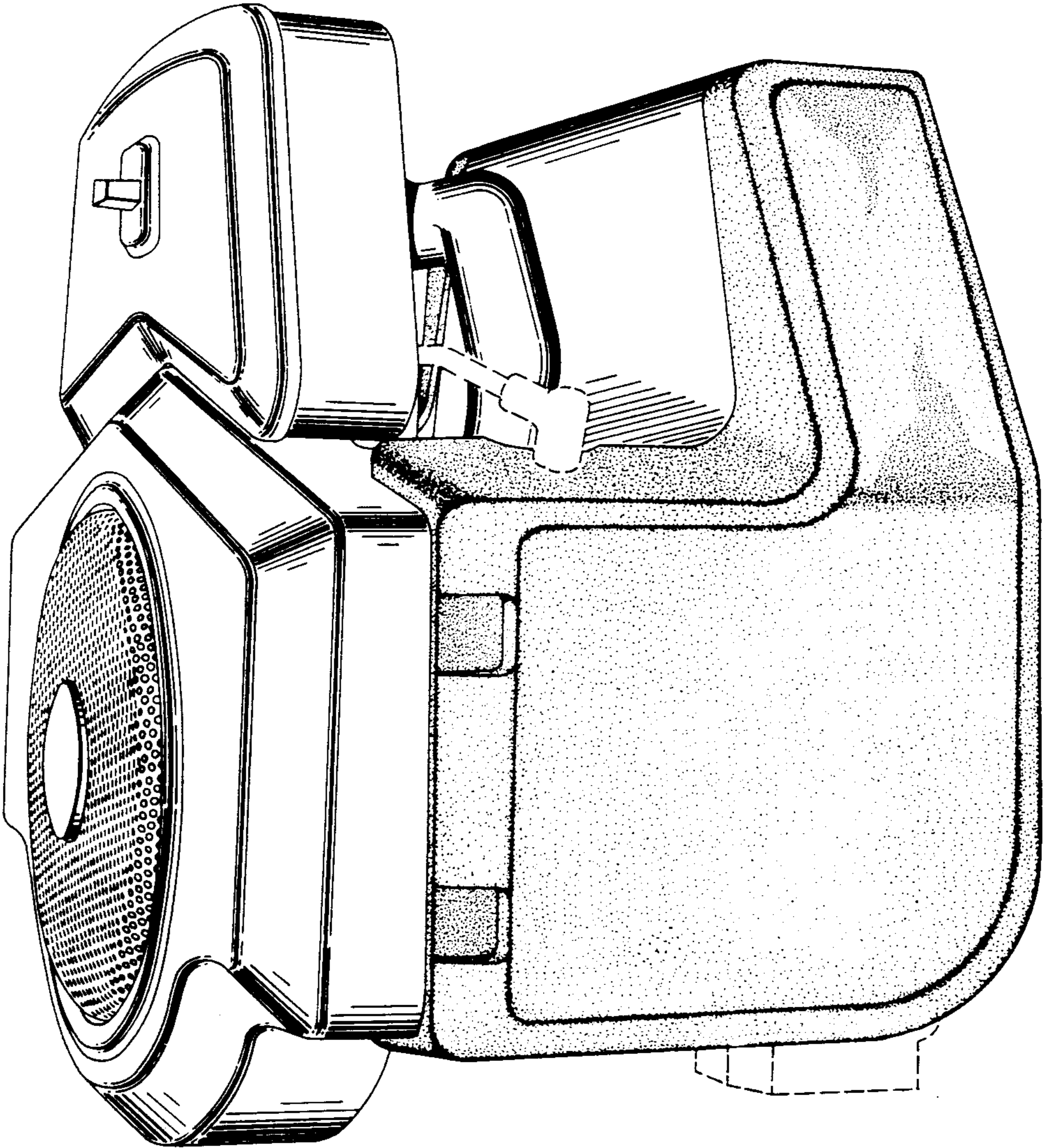


FIG.3.



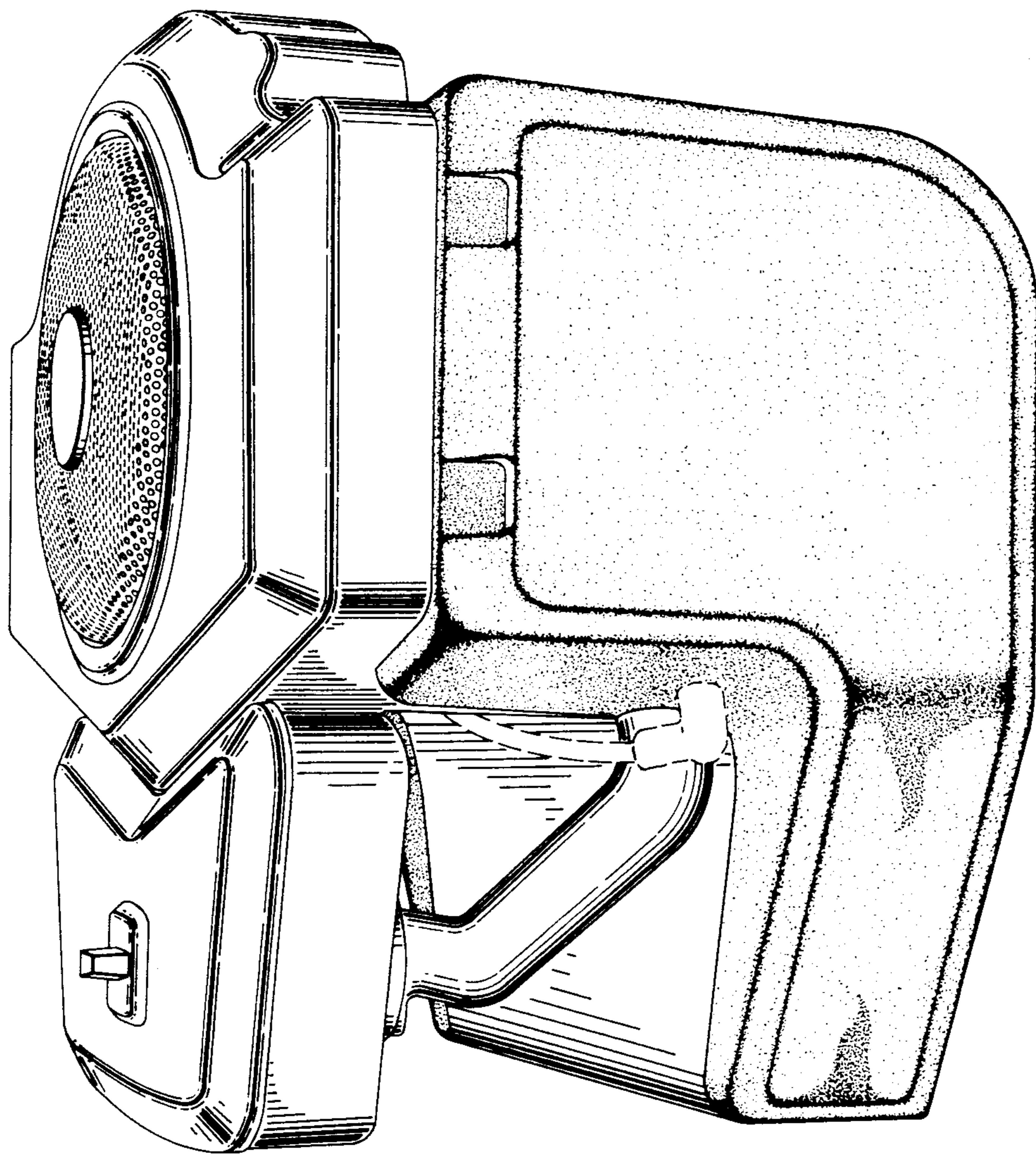
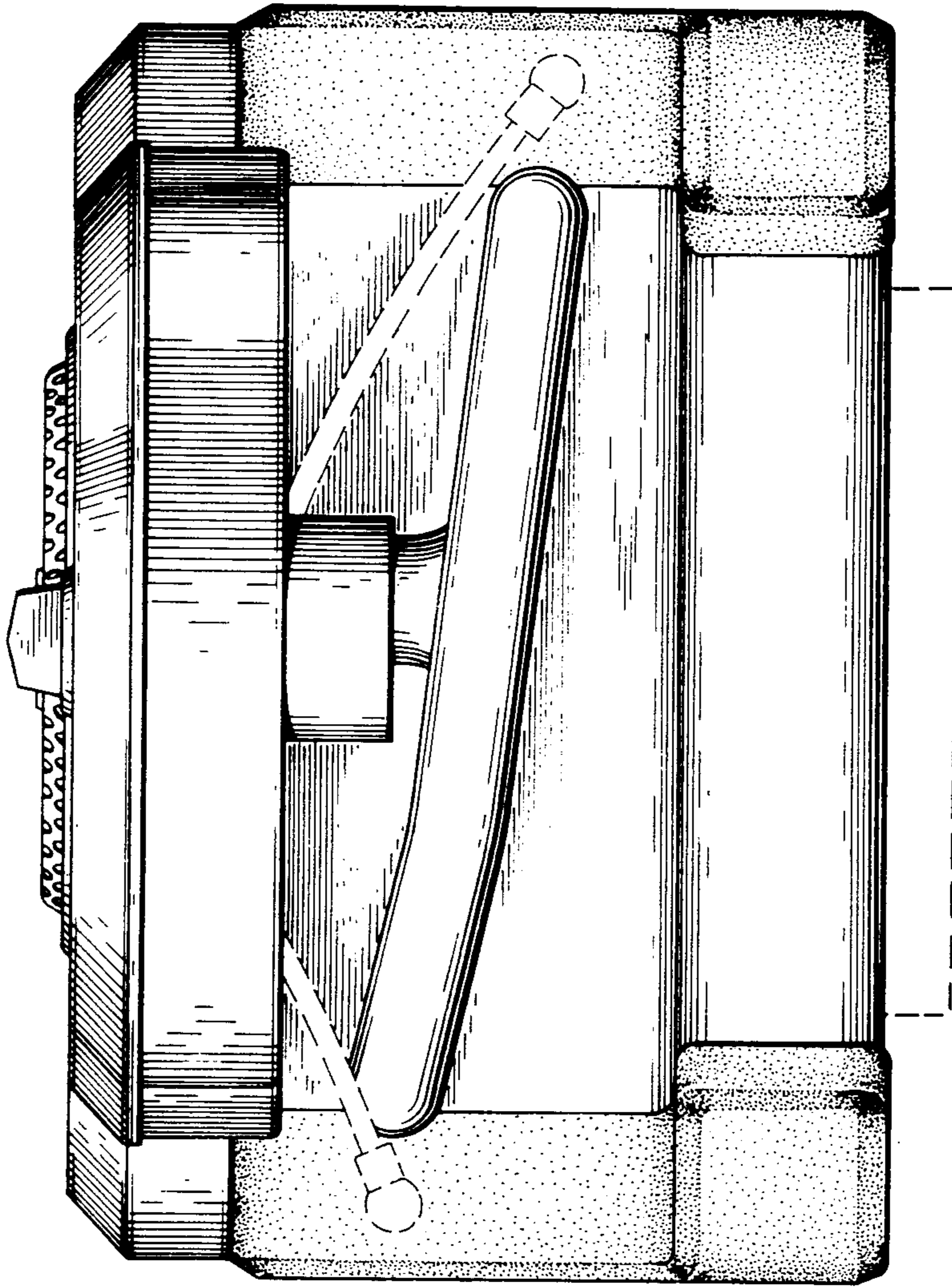


FIG. 4.

FIG. 5.



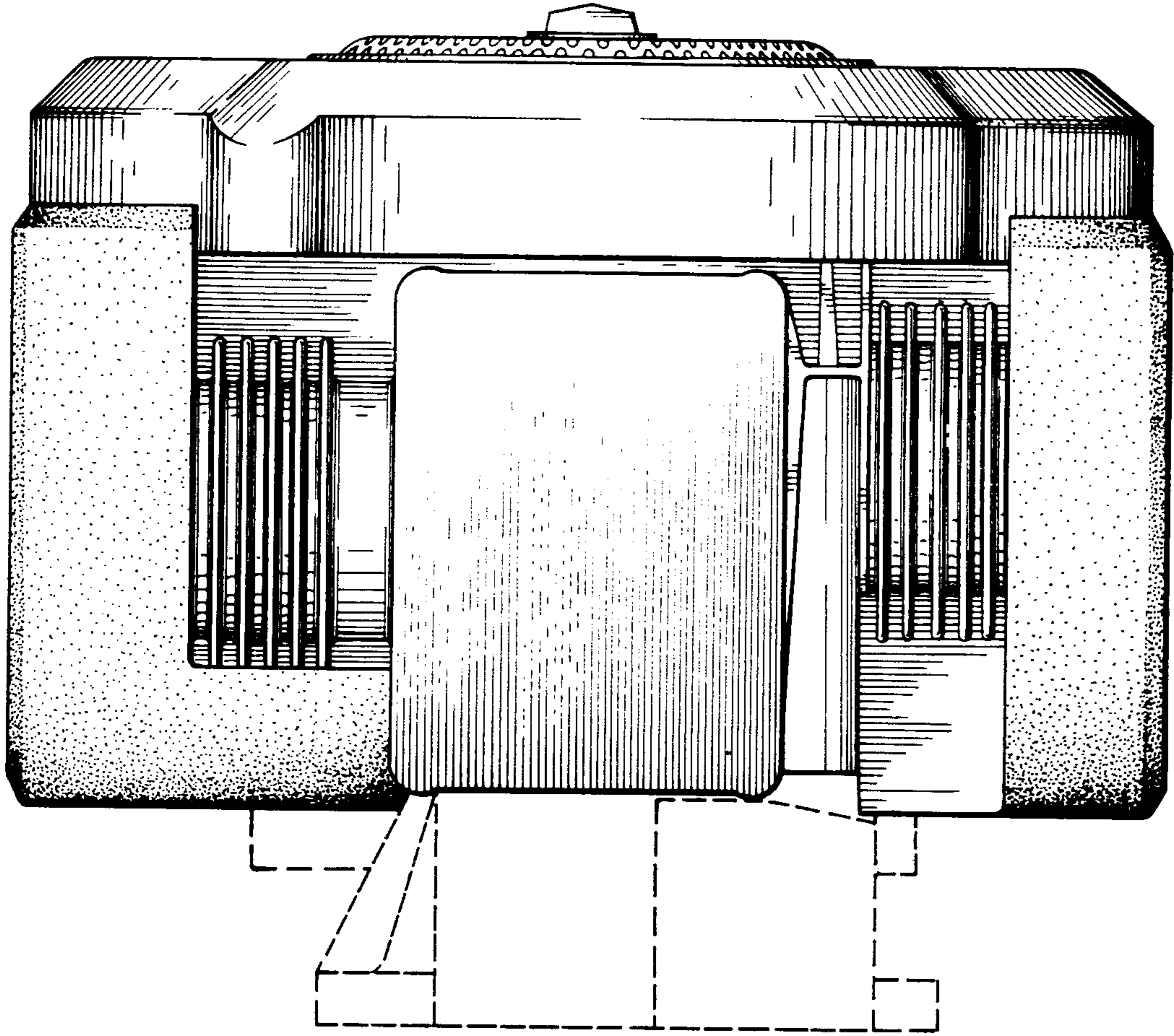


FIG. 6