

[54] FACSIMILE TRANSCEIVER

3,432,613 3/1969 Saeger et al. 358/257

[75] Inventors: **Shuichi Kohno, Mitaka; Yoshio Fujita, Yokohama, both of Japan**

Primary Examiner—Bernard Ansher
Attorney, Agent, or Firm—Paul M. Craig, Jr.

[73] Assignee: **Hitachi, Ltd., Japan**

[57] CLAIM

[**] Term: **14 Years**

The ornamental design for a facsimile transceiver, as shown and described.

[21] Appl. No.: **900,332**

[22] Filed: **Apr. 26, 1978**

DESCRIPTION

[30] Foreign Application Priority Data

Oct. 31, 1977 [JP] Japan 52-42938
Oct. 31, 1977 [JP] Japan 52-42939

FIG. 1 is a right side, top and front perspective view of a facsimile transceiver showing our new design.

FIG. 2 is a top plan view thereof;

FIG. 3 is a front elevational view thereof;

FIG. 4 is a left side view thereof;

FIG. 5 is a right side view thereof;

FIG. 6 is a rear elevational view thereof;

FIG. 7 is a bottom plan view thereof;

FIG. 8 is a right side, top and front perspective view of a facsimile transceiver showing another embodiment of my new design;

FIG. 9 is a top plan view thereof;

FIG. 10 is a front elevational view thereof;

FIG. 11 is a left side view thereof;

FIG. 12 is a right side view thereof;

FIG. 13 is a rear elevational view thereof;

FIG. 14 is a bottom plan view thereof;

[51] Int. Cl. **D14-01**

[52] U.S. Cl. **D14/94; D14/6**

[58] Field of Search 358/256, 257, 258;
D14/94, 3, 6

[56] References Cited

U.S. PATENT DOCUMENTS

D. 218,170	7/1970	Kober	D14/94
D. 219,593	12/1970	Priessnetz	D14/94
D. 231,468	4/1974	Krist	D14/94
D. 231,539	4/1974	MacConkey	D14/94
3,180,933	4/1965	Shaler et al.	358/258

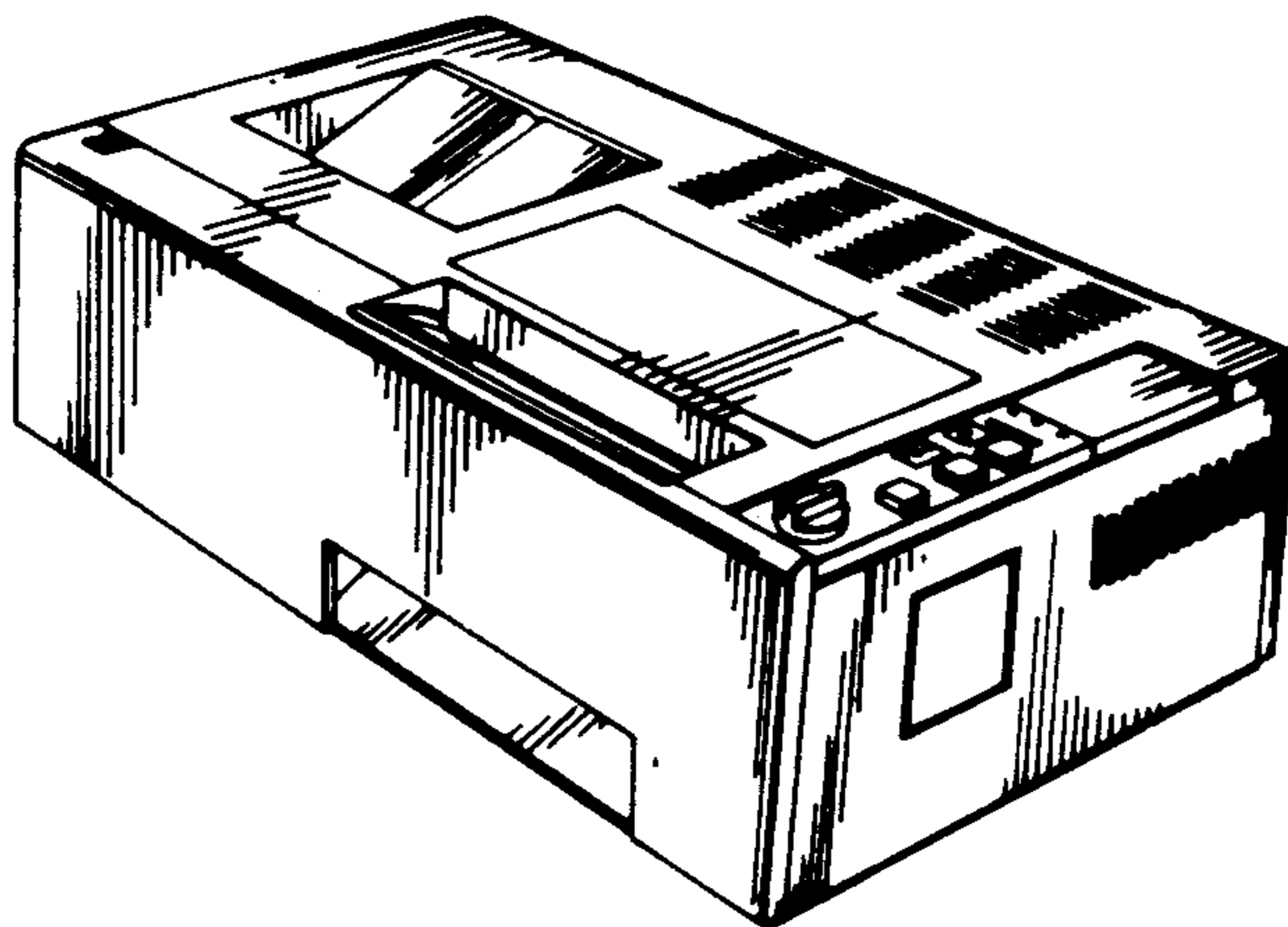


FIG. 1

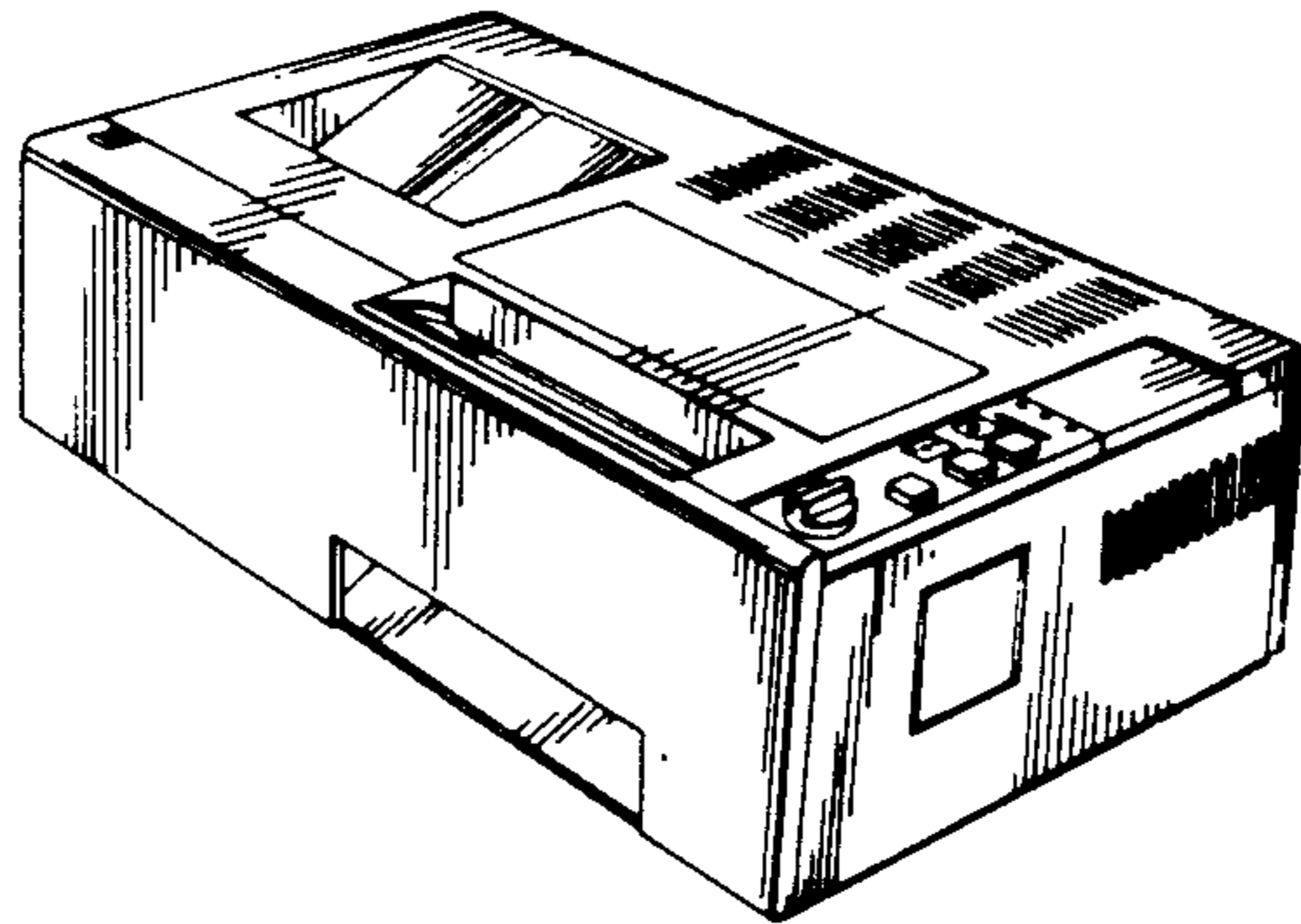


FIG. 2

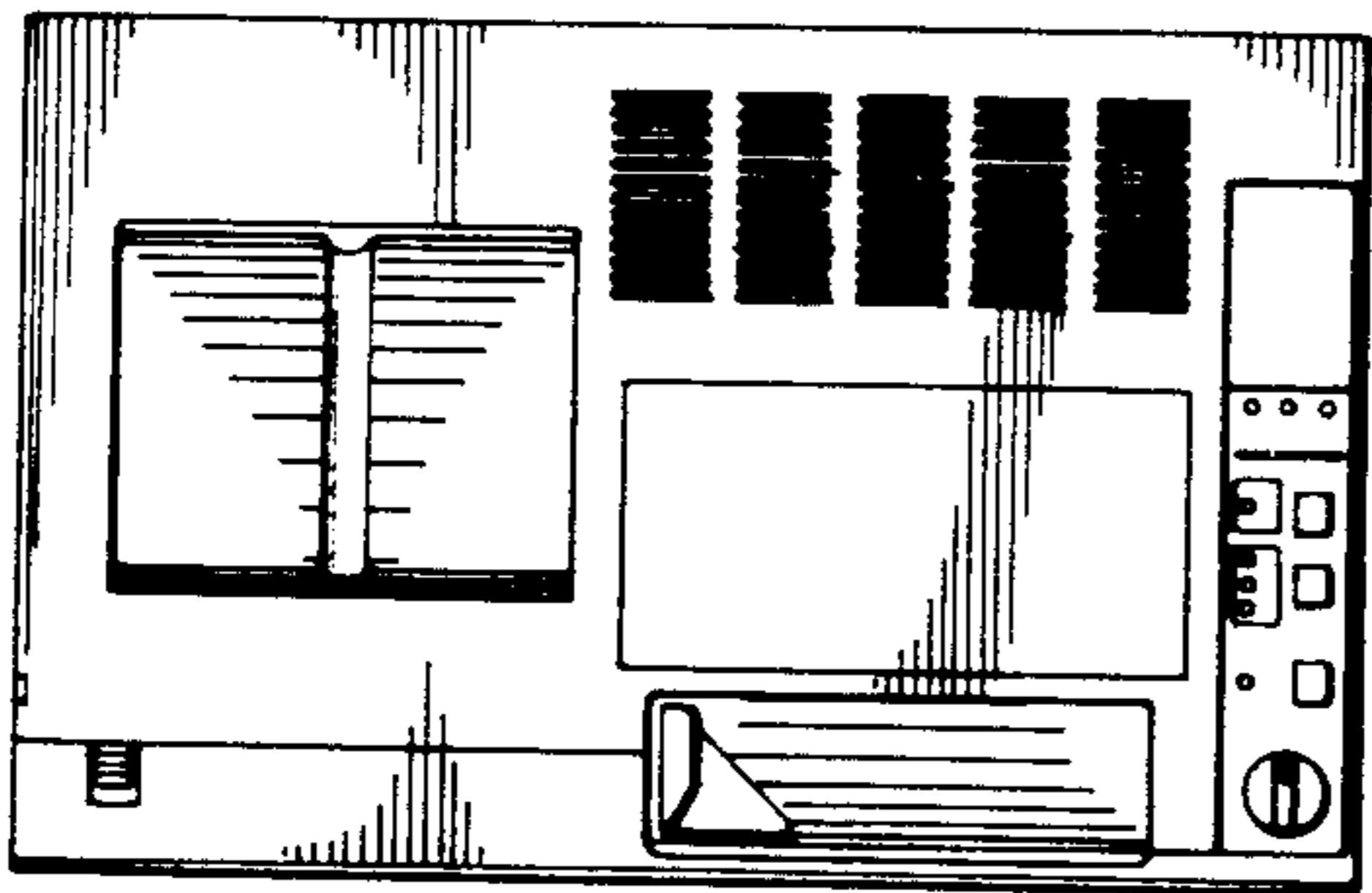


FIG. 4

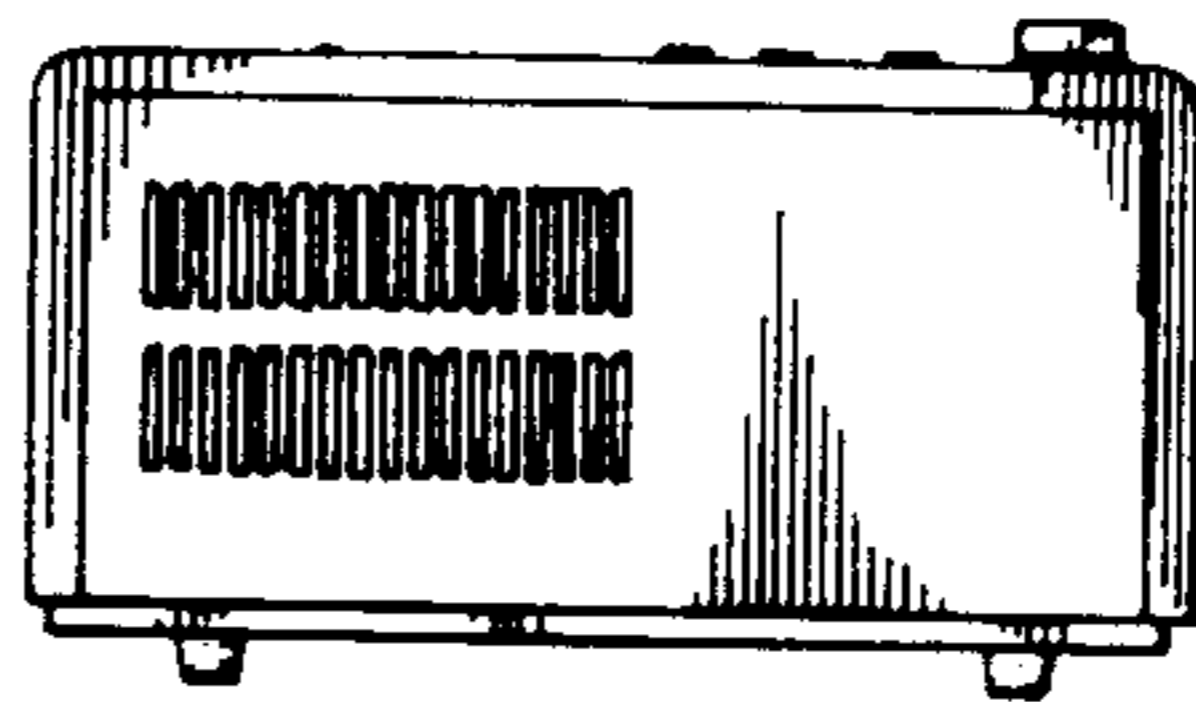


FIG. 3

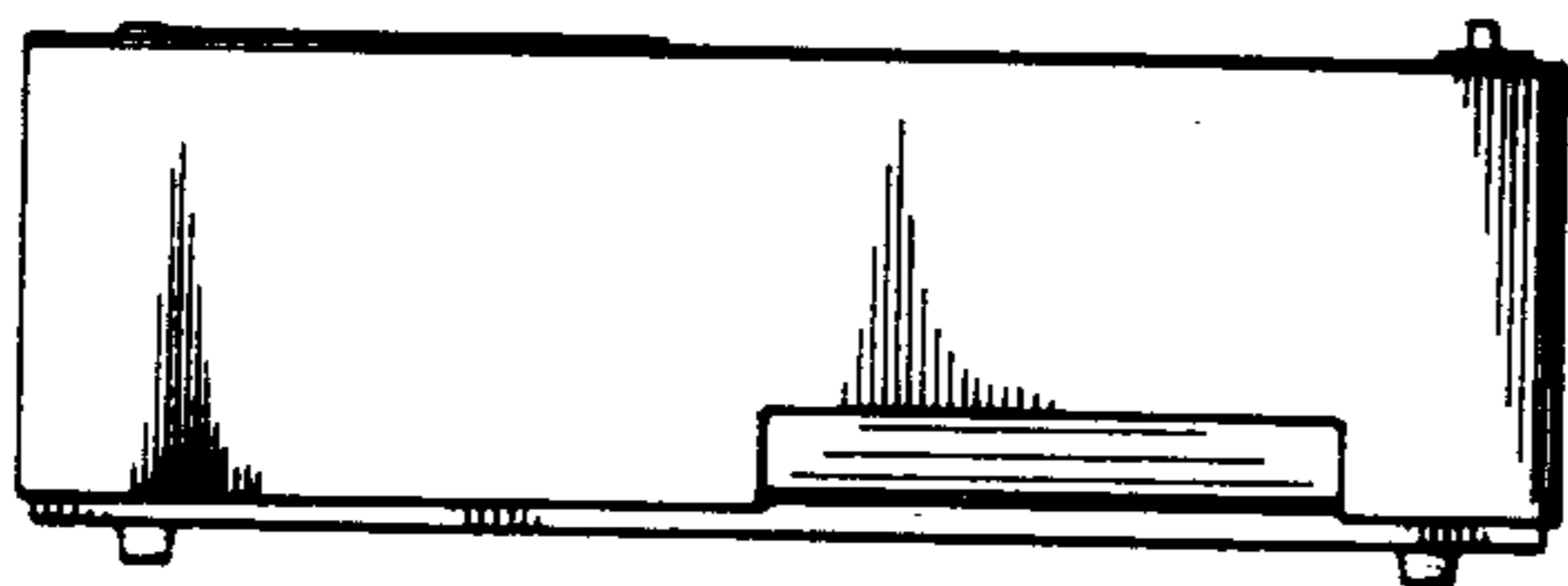


FIG. 5

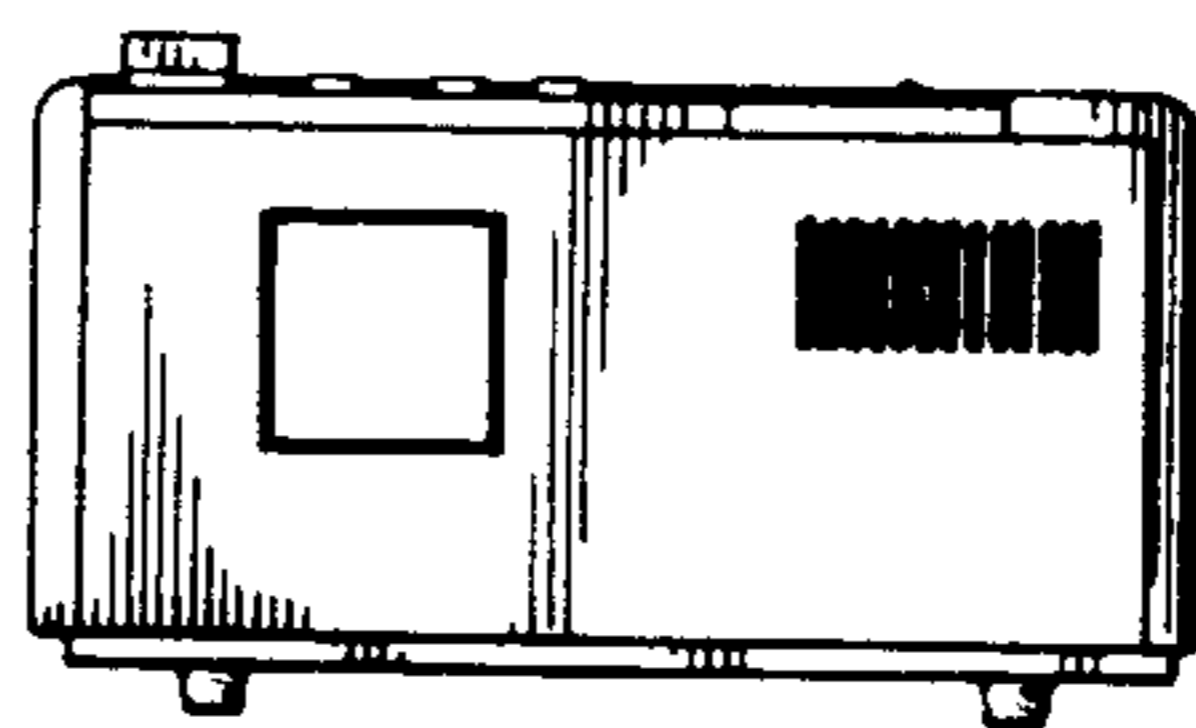


FIG. 6

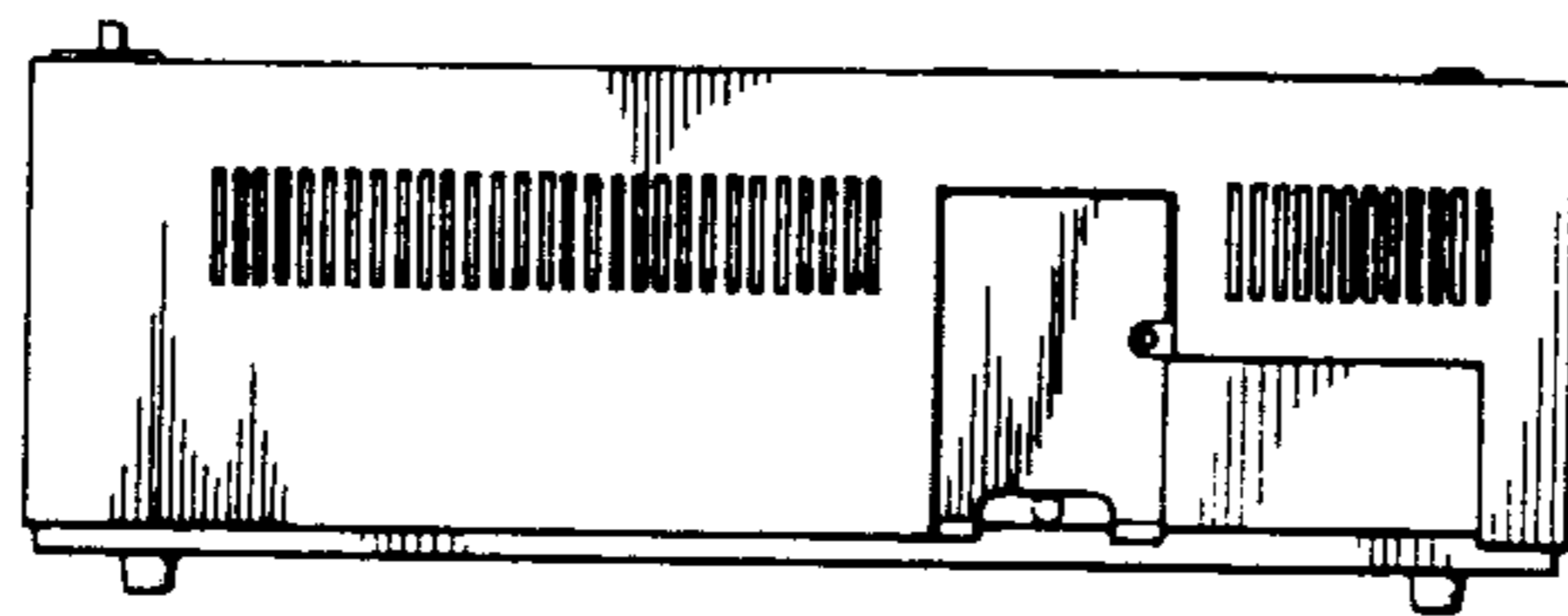


FIG. 7

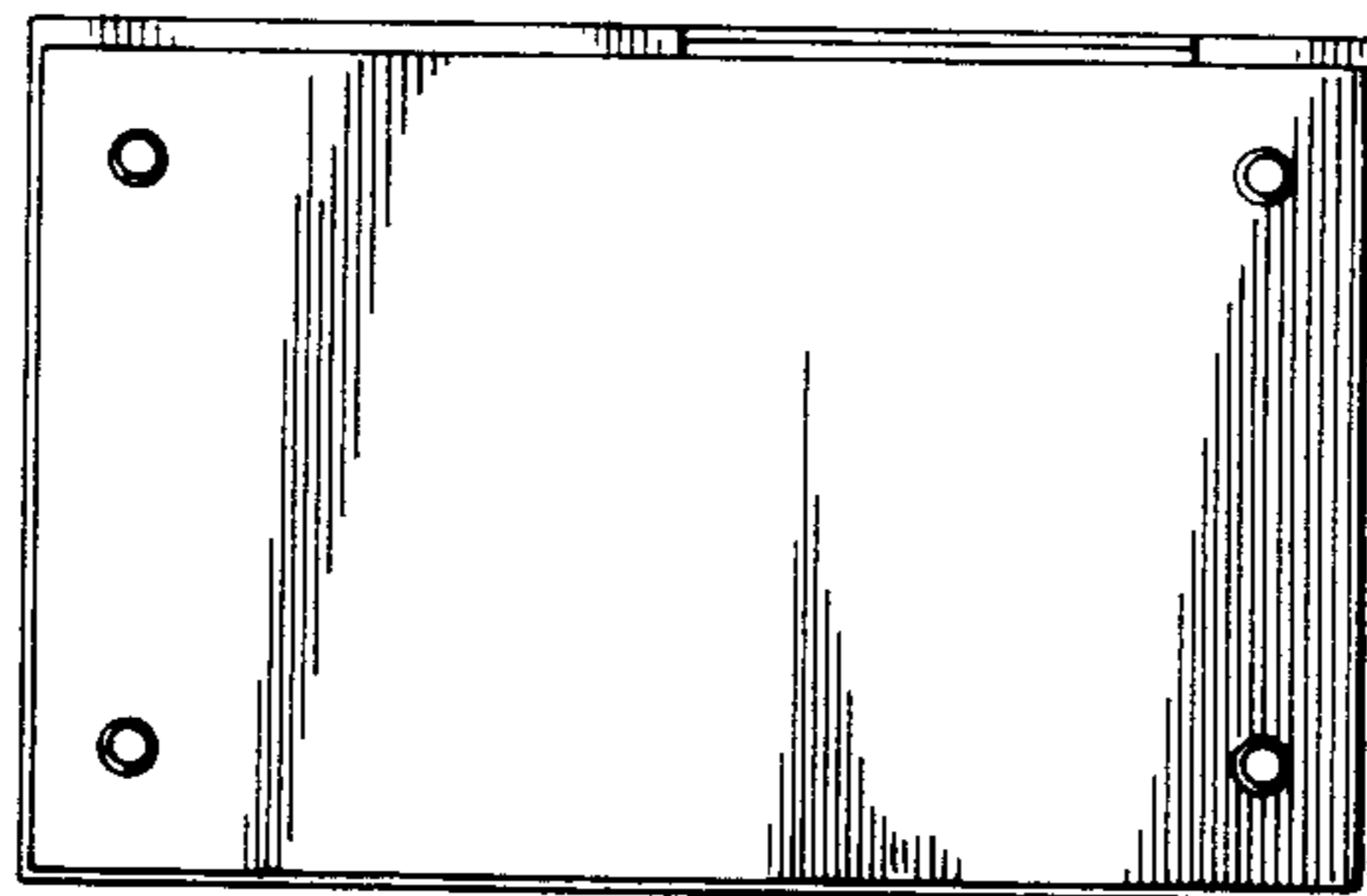


FIG. 8

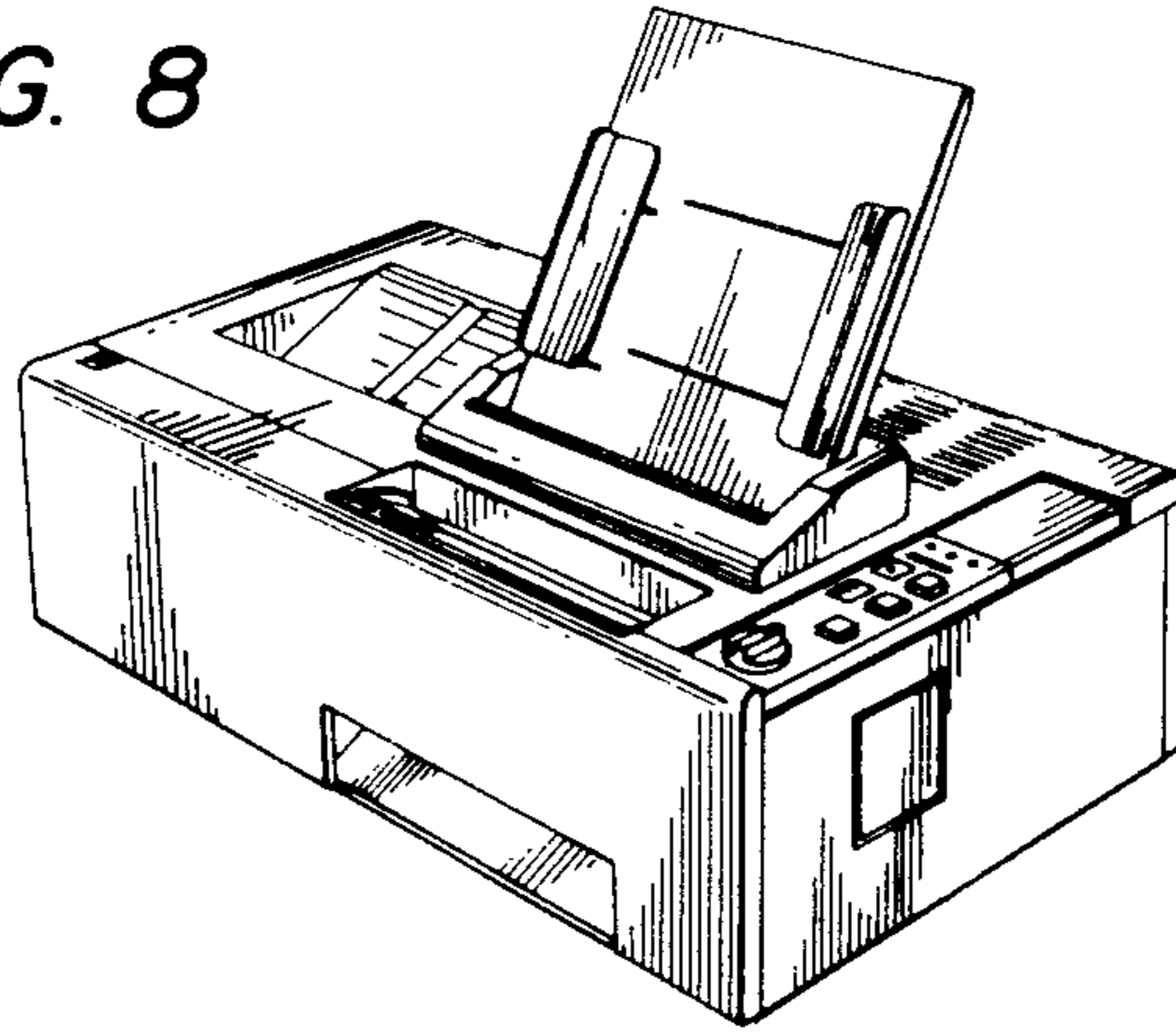


FIG. 9

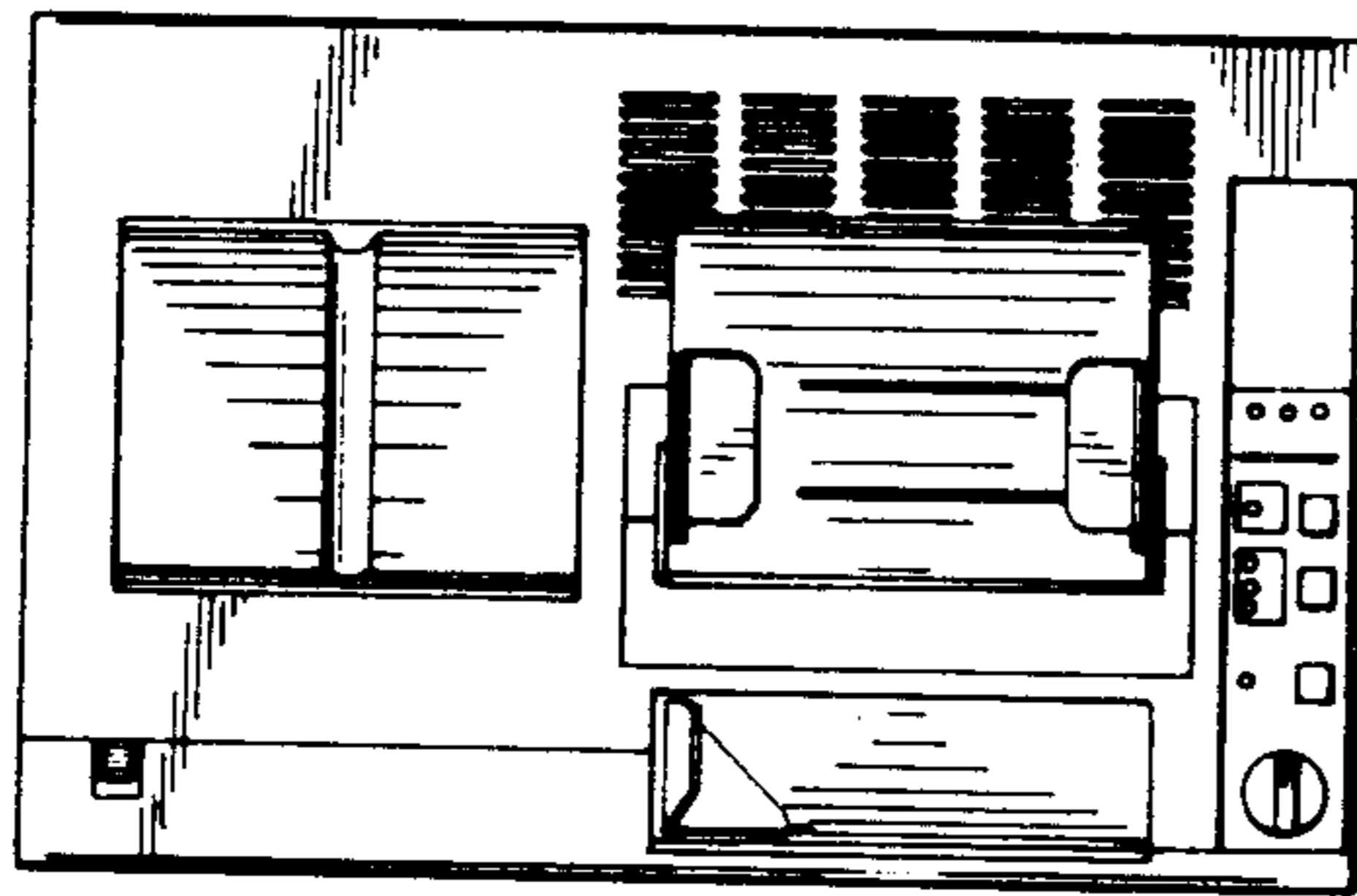


FIG. 11

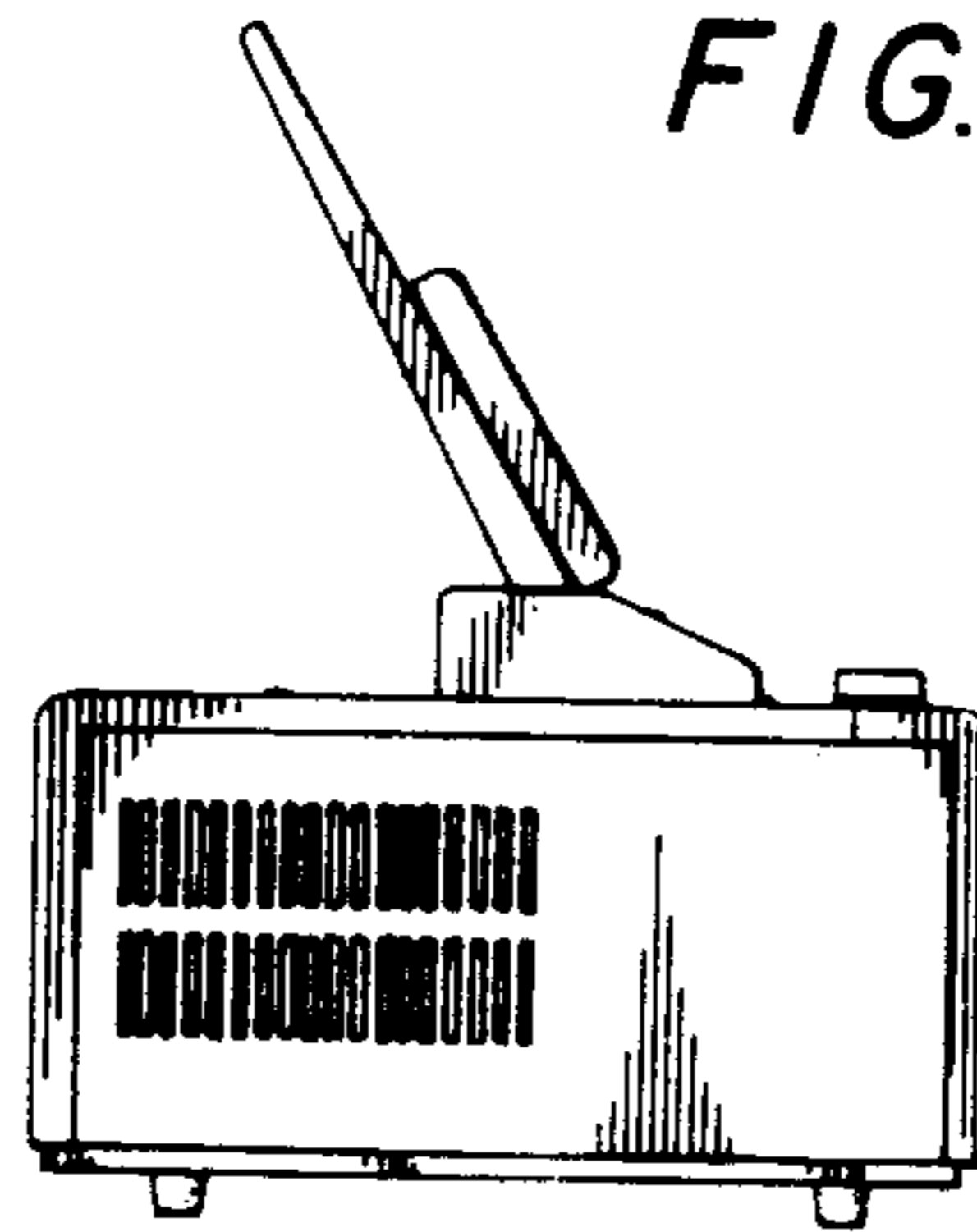


FIG. 10

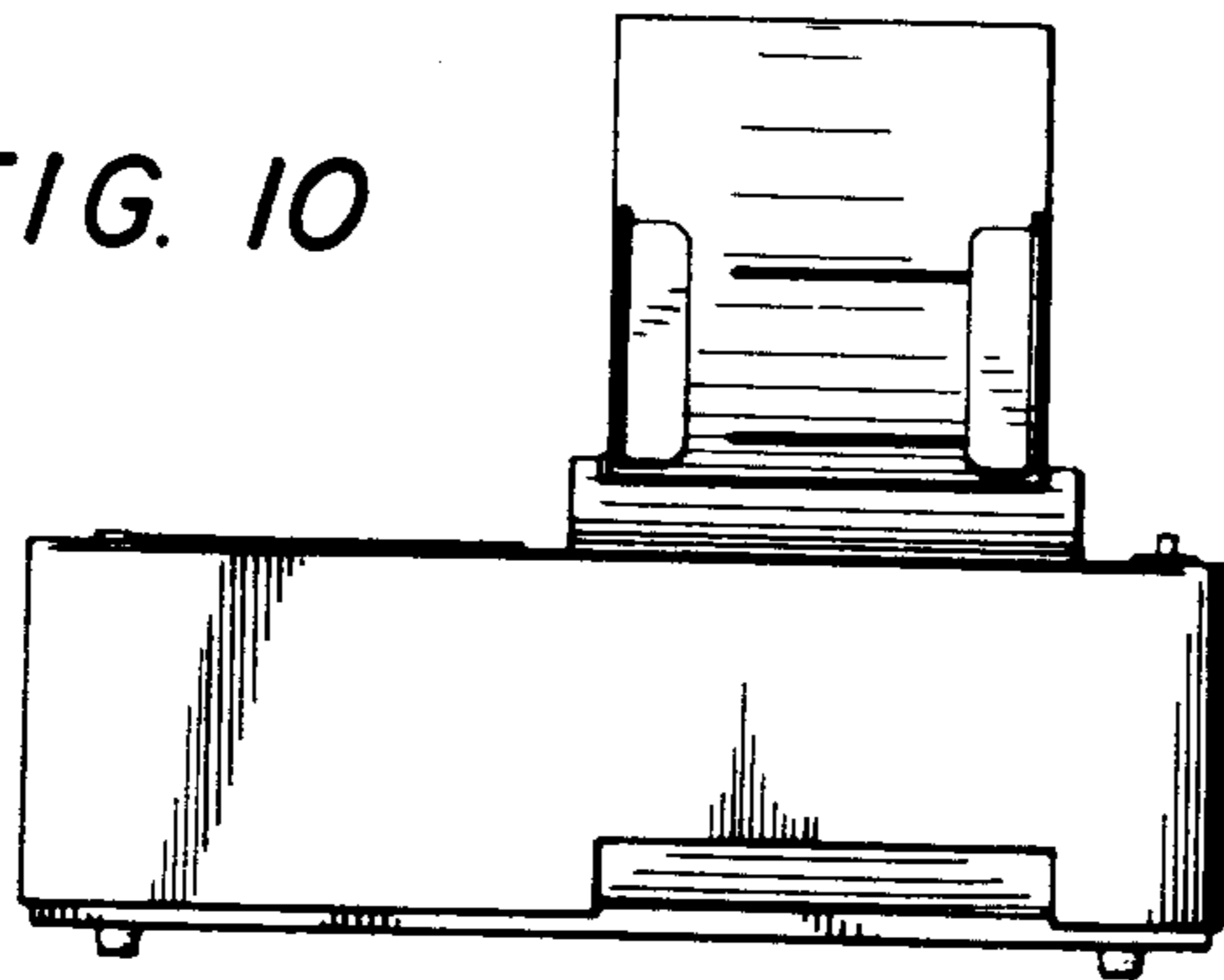
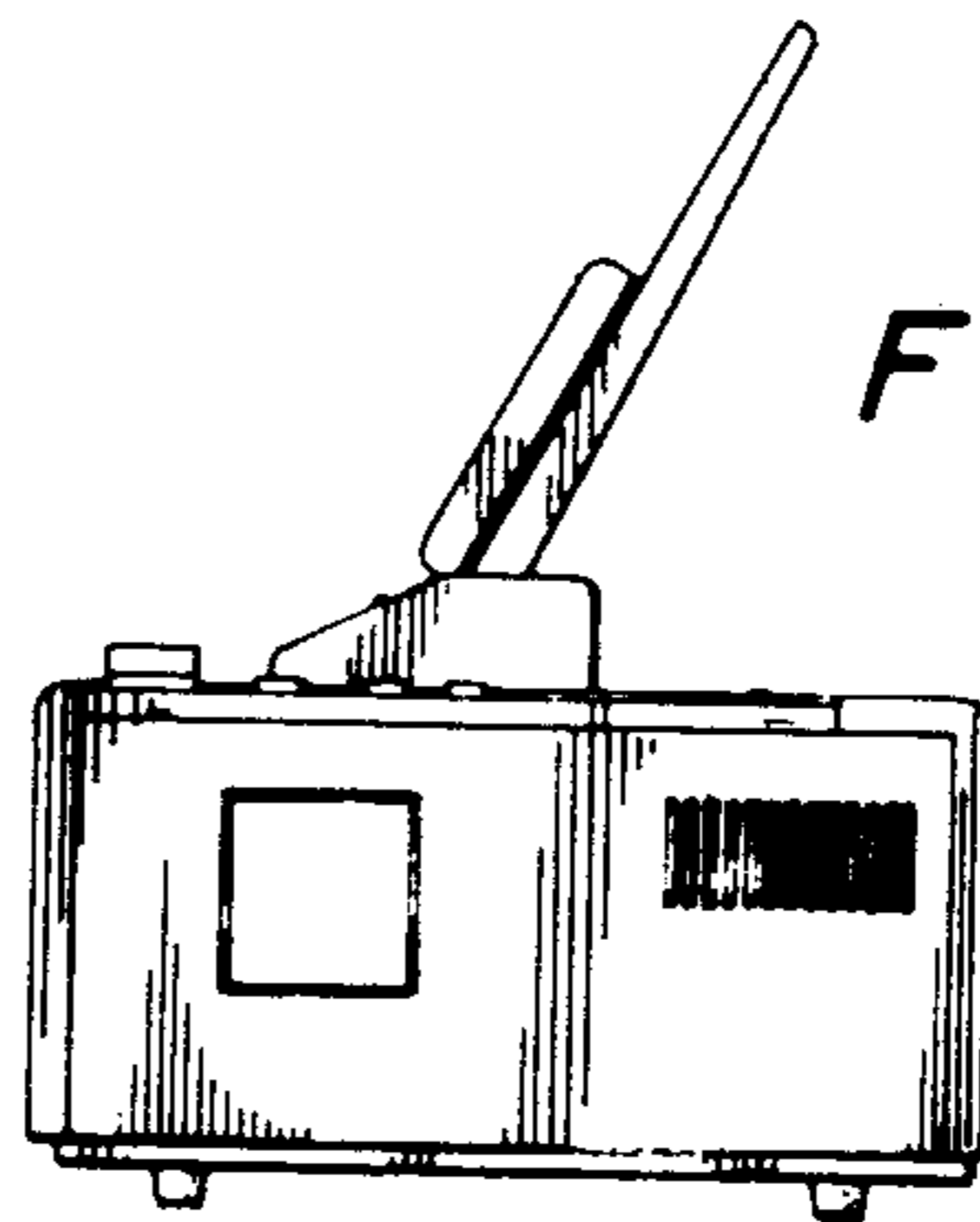


FIG. 12



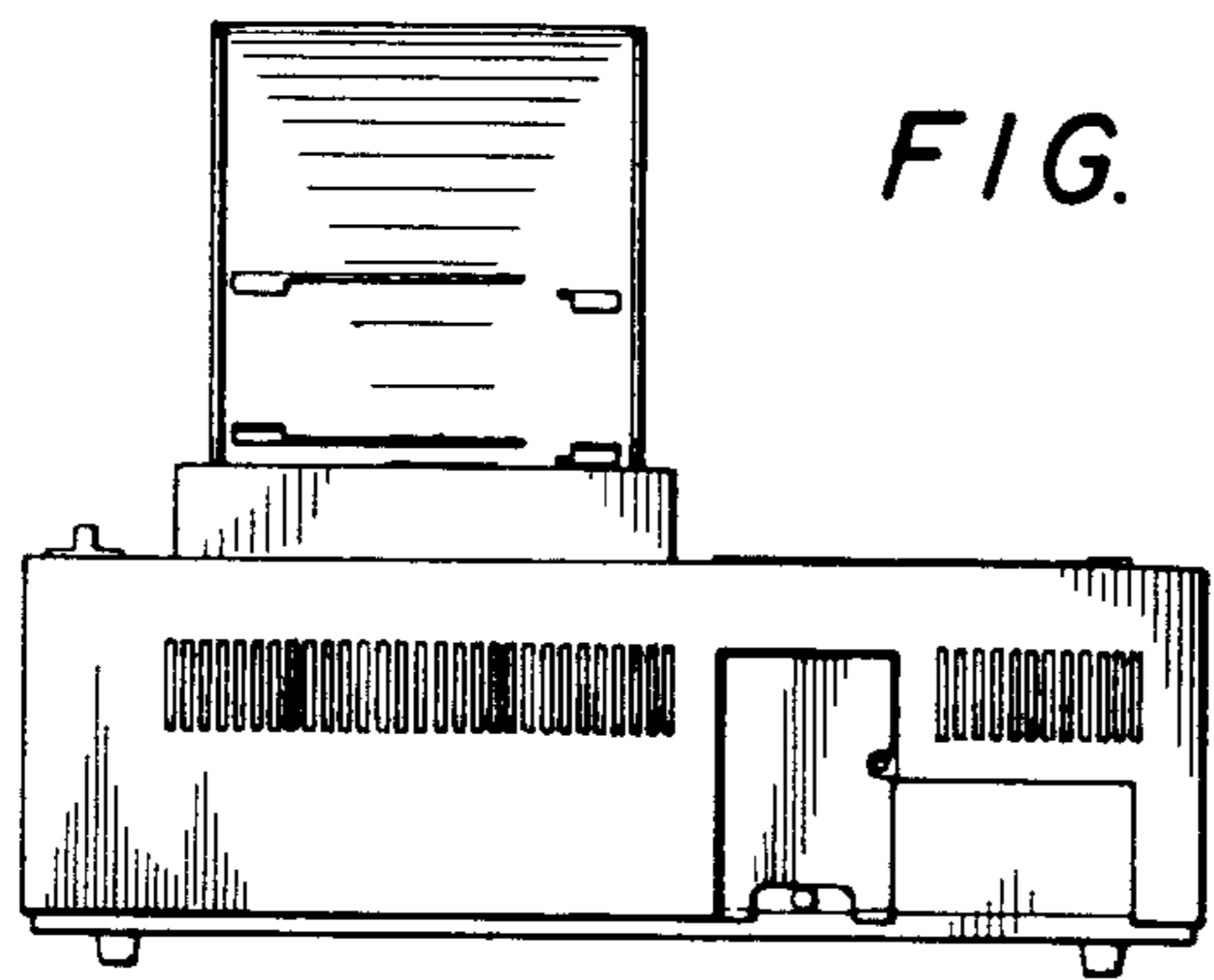


FIG. 13

FIG. 14

