

[54] VIDEO TAPE RECORDER

[76] Inventors: **Noriaki Kotsuka**, 1661-126 Fukaya-cho, Totsuka-ku, Yokohoma-shi, Kanagawa; **Mitsuru Inaba**, 3-179 Hongo-cho, Naka-ku, Yokohama-shi, Kanagawa, both of Japan

[**] Term: **14 Years**

[21] Appl. No.: **867,628**

[22] Filed: **Jan. 6, 1978**

[30] Foreign Application Priority Data

Jul. 8, 1977 [JP] Japan 52-26745

[51] Int. Cl. **D14-01**

[52] U.S. Cl. **14/2**

[58] Field of Search D14/2, 3, 6; 360/79, 360/33-38

[56] References Cited

U.S. PATENT DOCUMENTS

D. 227,578 7/1973 Takanashi D14/2
D. 227,579 7/1973 Takanashi D14/2

D. 238,881 2/1976 Ishii et al. 14/2
D. 238,882 2/1976 Ishii et al. 14/2
D. 252,391 7/1979 Ohya et al. 14/2

OTHER PUBLICATIONS

Lafayette Radio Electronics, Cat. No. 740, © 1973, p. 185, Video Tape Recorder.

Primary Examiner—Bernard Ansher
Attorney, Agent, or Firm—Lewis H. Eslinger

[57] CLAIM

The ornamental design for a video tape recorder, as shown.

DESCRIPTION

FIG. 1 is a front view of the video tape recorder embodying my design;
FIG. 2 is a side view of the video tape recorder;
FIG. 3 is a top plan view of the video tape recorder;
FIG. 4 is a rear elevational view of the video tape recorder;
FIG. 5 is a bottom plan view of the video tape recorder; and
FIG. 6 is a front perspective view of the video tape recorder.

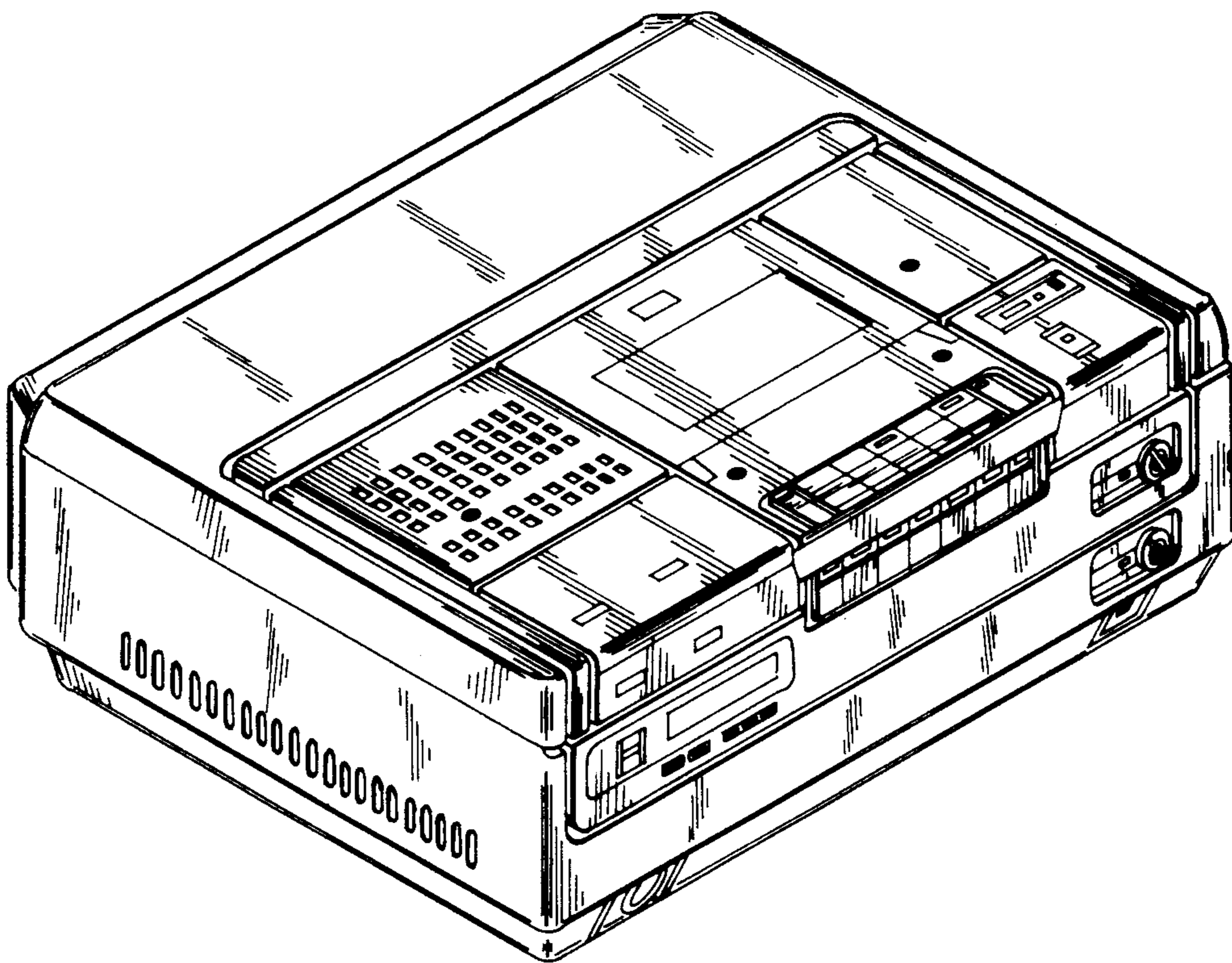


FIG. 1

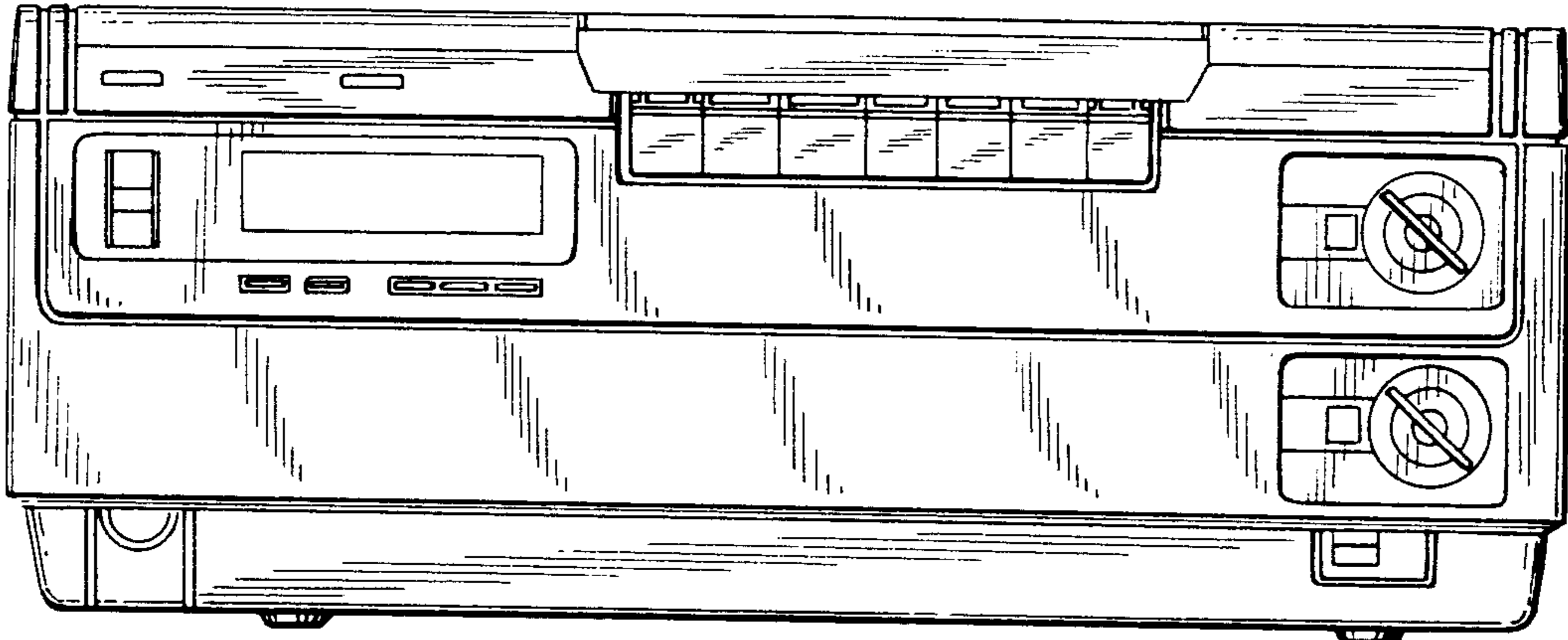


FIG. 2

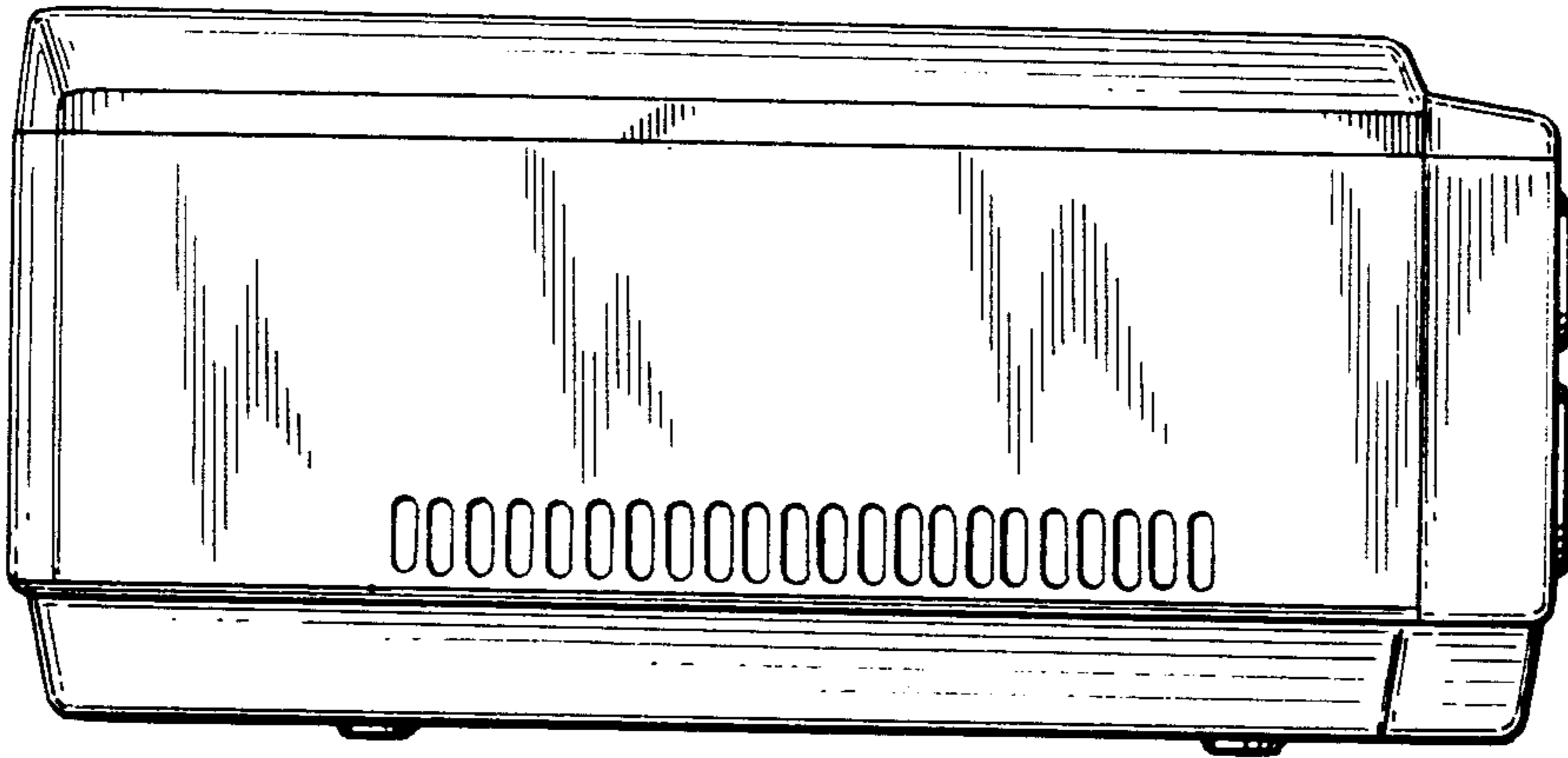
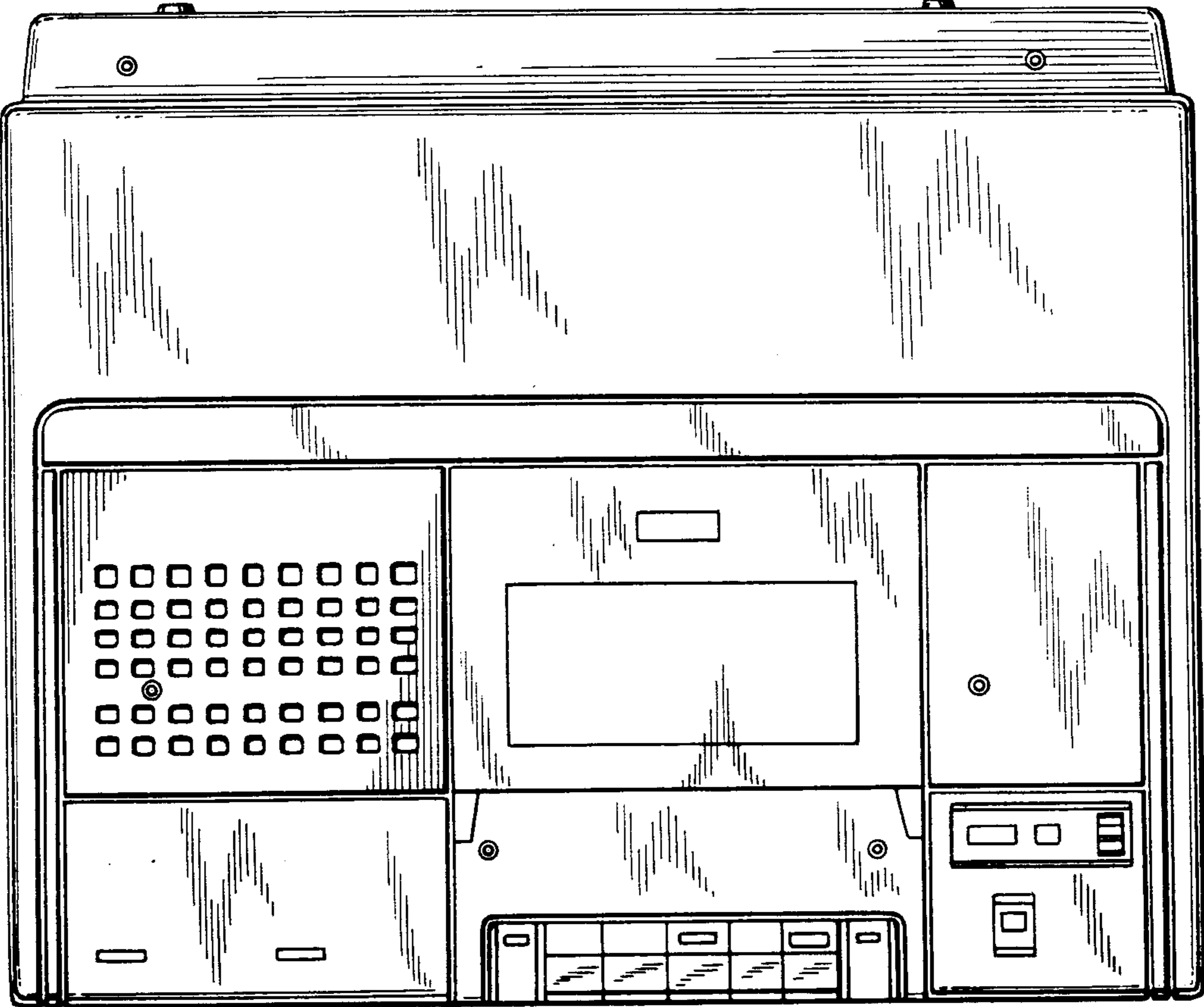


FIG. 3



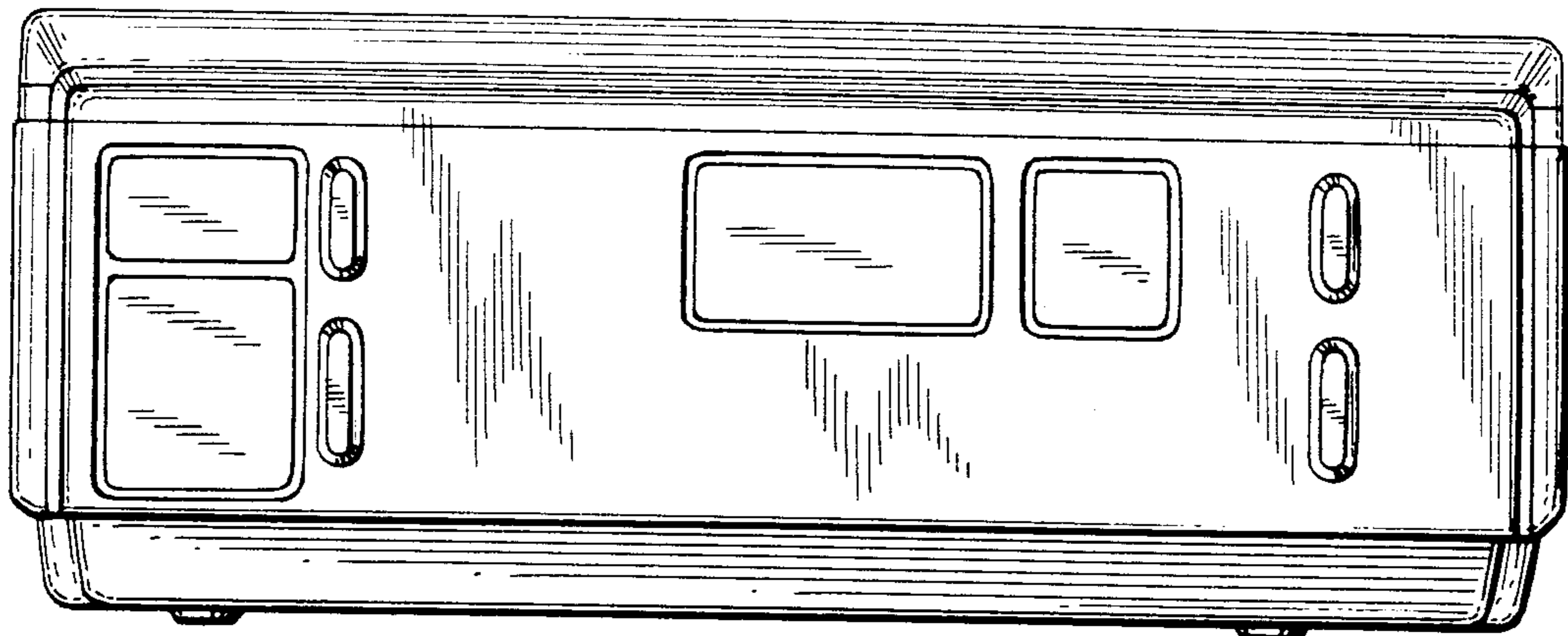


FIG. 4

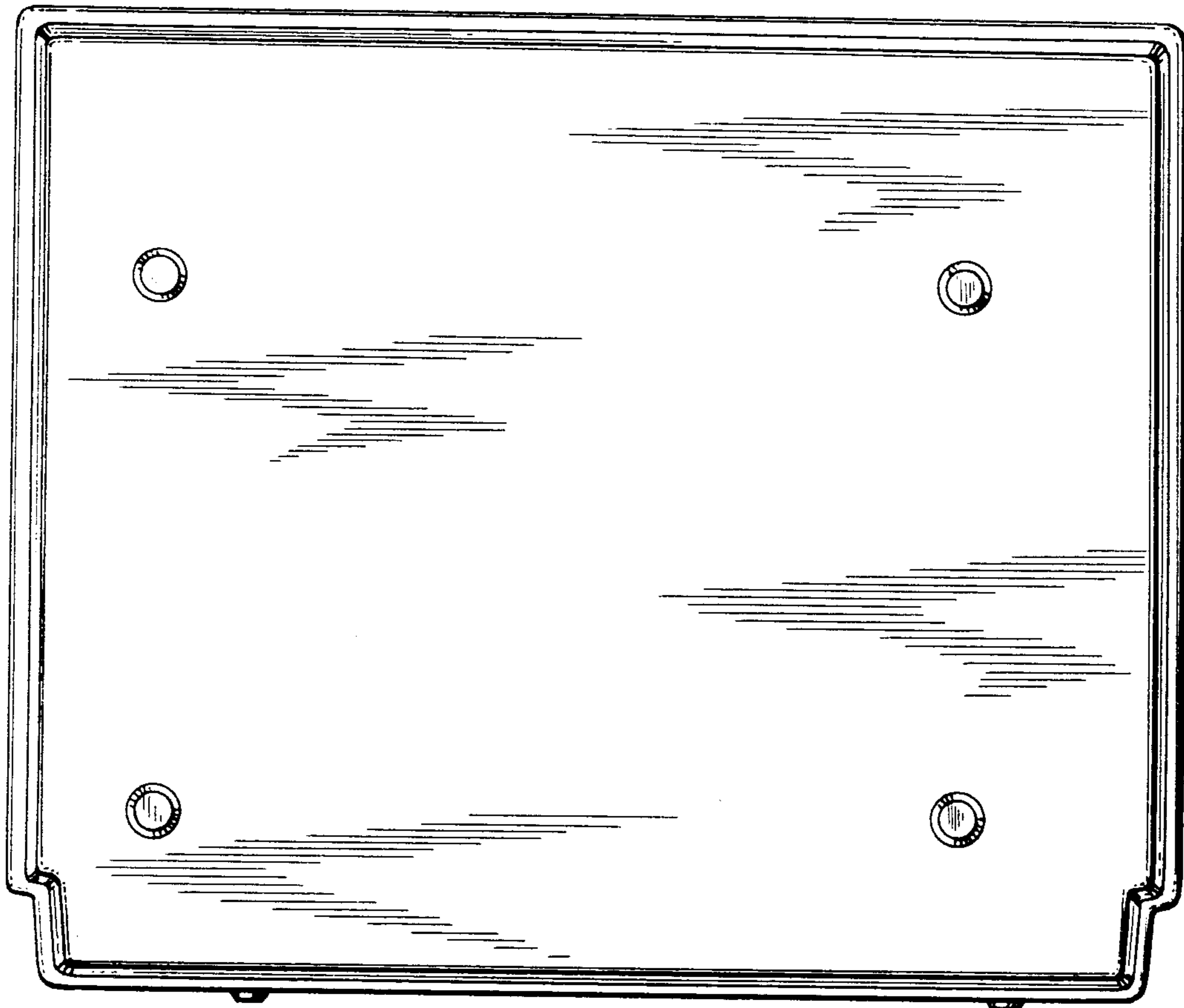


FIG. 5

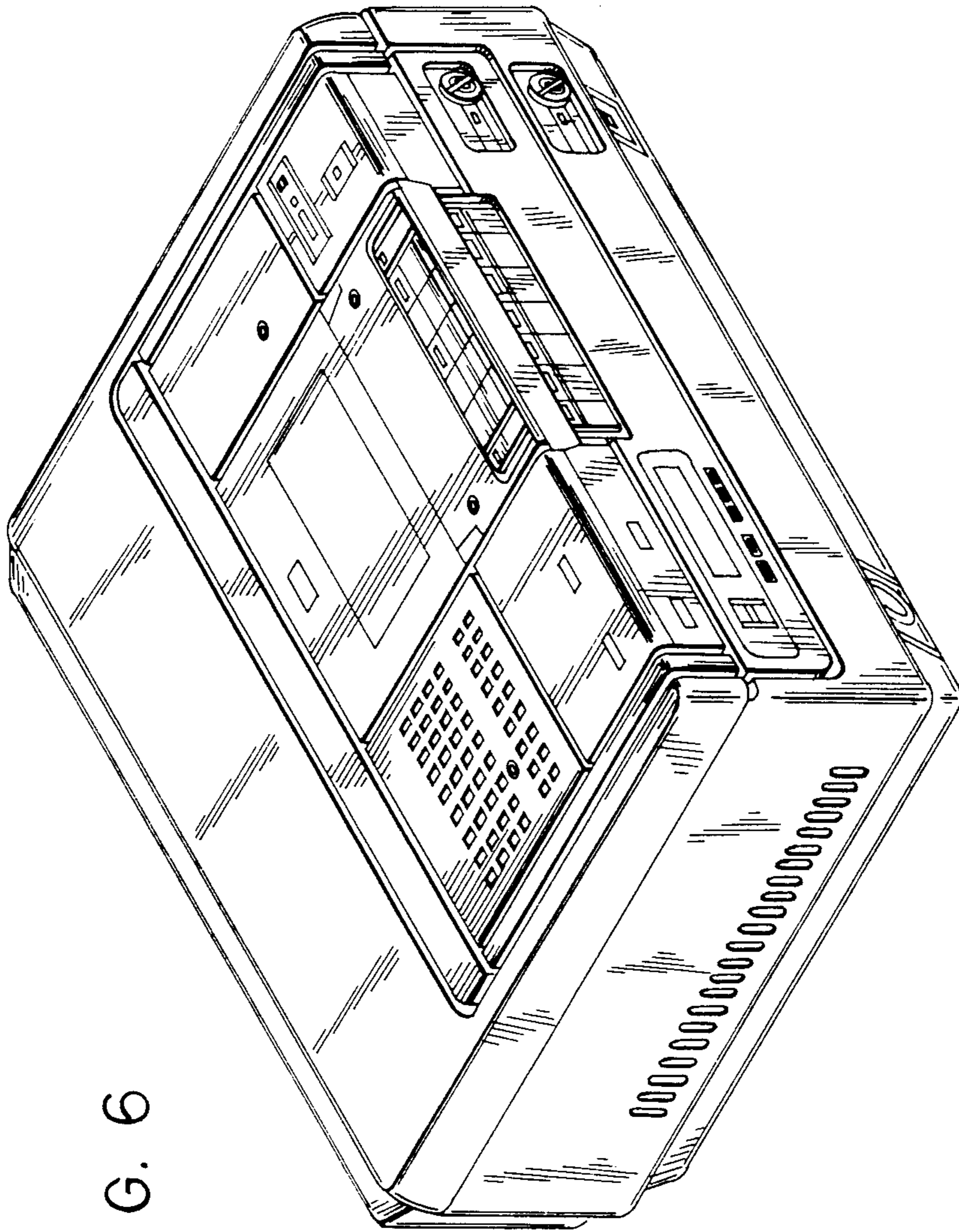


FIG. 6