

[54] TOOL FOR IMPRINTING NON-REPEATING STONE PATTERNS IN FRESH CONCRETE

[76] Inventors: John L. Puccini, 432 Upper Lake Rd., Thousand Oaks, Calif. 91360; Edward F. Shea, Jr., 2855 E. Wastach Ct., Westlake Village, Calif. 91361

[**] Term: 14 Years

[21] Appl. No.: 881,836

[22] Filed: Feb. 27, 1978

[51] Int. Cl. D8-05

[52] U.S. Cl. D8/45

[58] Field of Search D8/45; 425/469, 470, 425/471, 385; 249/15, 16, 103, 104, 140

[56]

References Cited

U.S. PATENT DOCUMENTS

D. 240,006	5/1976	Cardenas	D8/45
1,341,528	5/1920	Walling	249/16
2,567,843	9/1951	Gedminas	425/470
3,262,159	7/1966	Falkenau et al.	425/385
4,131,406	12/1978	Fresquez	425/385

Primary Examiner—W. Stallard
Attorney, Agent, or Firm—Dennis L. Mangrum

[57]

CLAIM

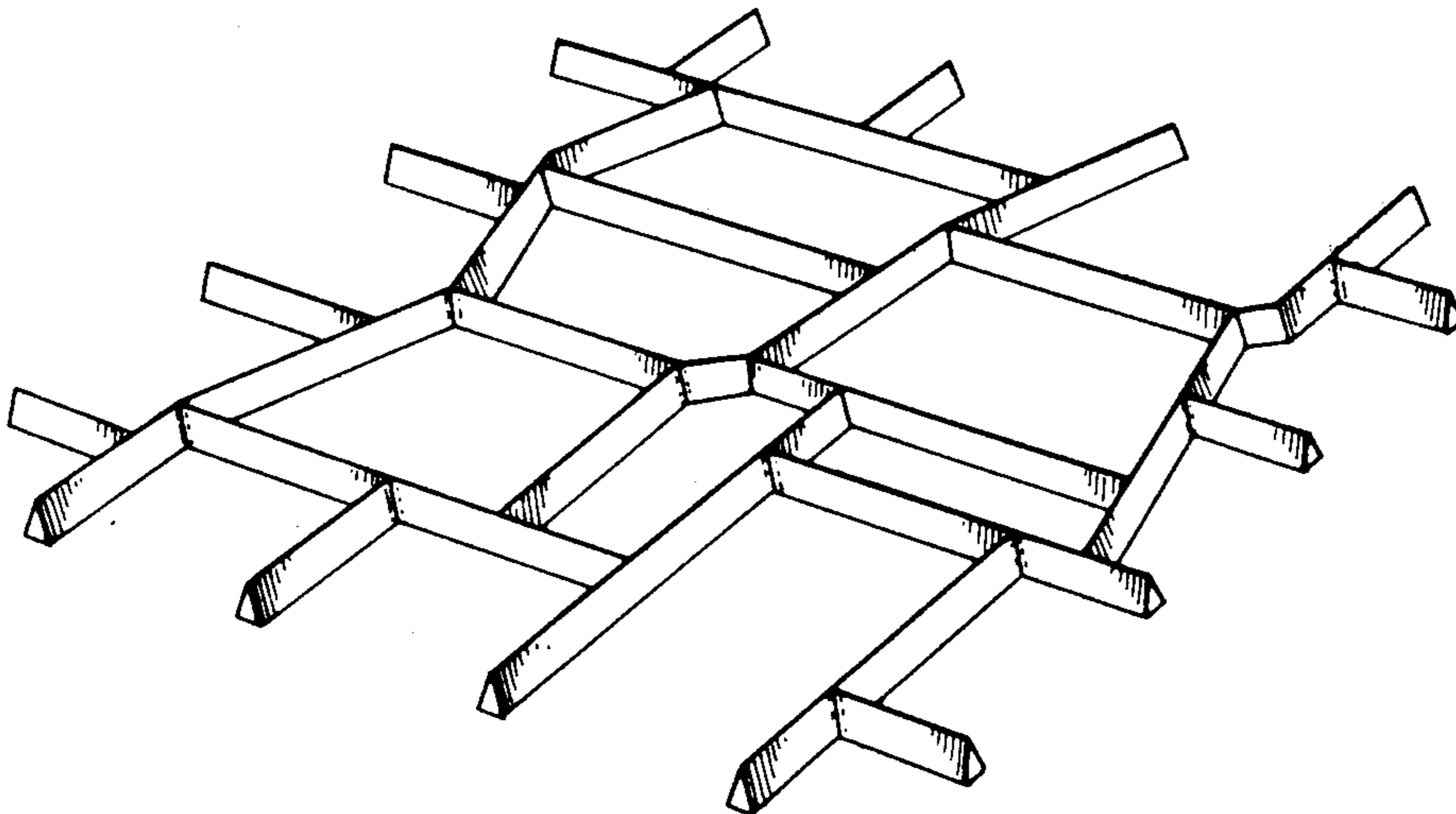
The ornamental design for a tool for imprinting non-repeating stone patterns in fresh concrete, substantially as shown.

DESCRIPTION

FIG. 1, is a plan view of the tool of the present invention;

FIG. 2, is a side view of the tool of the present invention;

FIG. 3, is a perspective view of the tool of the present invention.



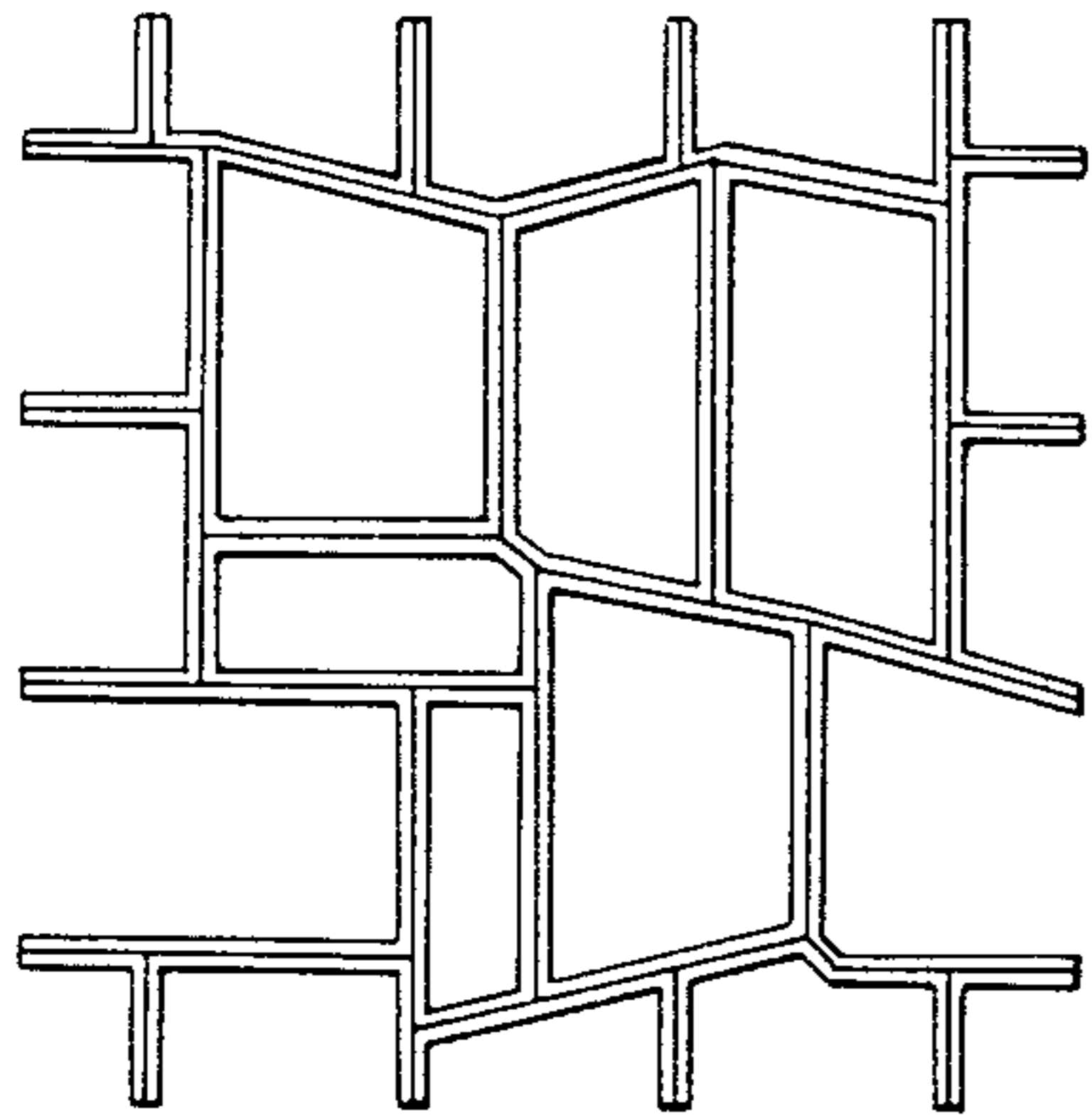


Fig. 1

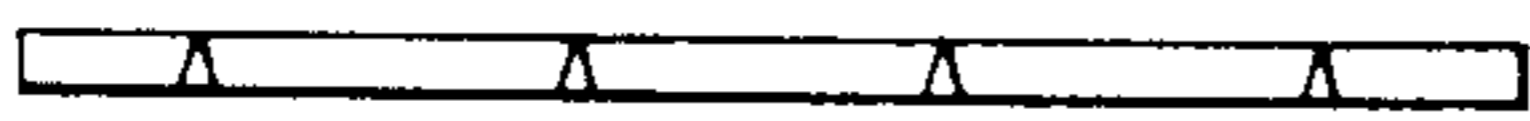


Fig. 2

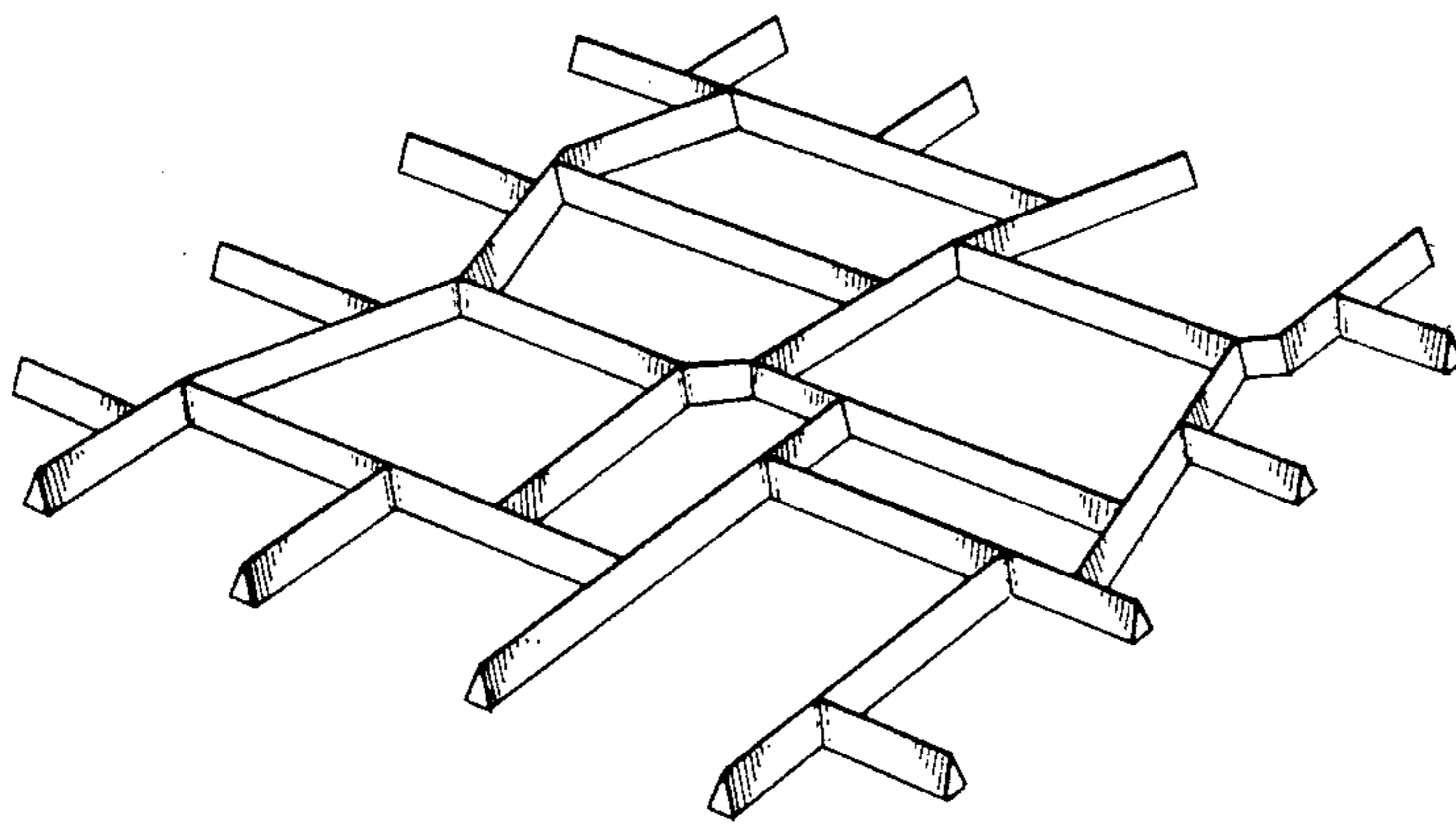


Fig. 3