

[54] BLOCK FOR FLATTENING A FOOD PASTE

[75] Inventor: Robert A. Bruce, Painted Post, N.Y.

[73] Assignee: Corning Glass Works

[**] Term: 14 Years

[21] Appl. No.: 959,371

[22] Filed: Nov. 9, 1978

[51] Int. Cl. D07-04

[52] U.S. Cl. D7/41; D7/5; D19/97; D25/82

[58] Field of Search D7/5, 43, 44; D1/15, D1/99; D25/82, 80, 86, 97; D19/96, 97

[56] References Cited

U.S. PATENT DOCUMENTS

D. 21,522	5/1892	Lewis	D25/86
D. 29,302	9/1898	Brandt et al.	D7/43 X
D. 168,847	2/1953	MacGregor	D7/44
1,868,236	7/1932	Janzen	D25/86 X

OTHER PUBLICATIONS

Institutions/Volume Feeding, Sep. 15, 1976, p. 73, bottom right—"Sara Lee" Butter Block.

Primary Examiner—Winifred E. Herrmann
Attorney, Agent, or Firm—Burton R. Turner

[57] CLAIM

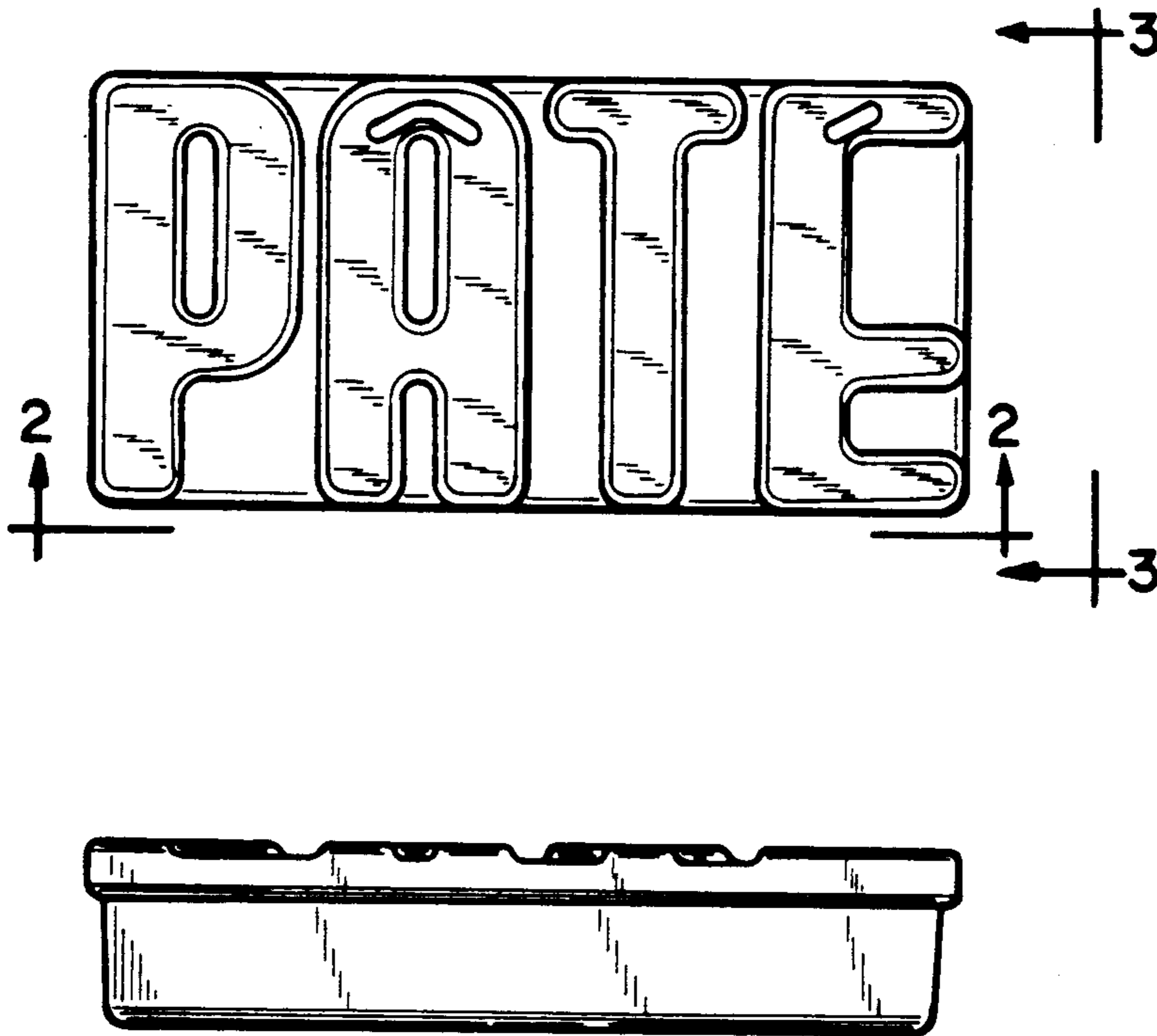
The ornamental design for a block for flattening a food paste, as shown and described.

DESCRIPTION

FIG. 1 is a top plan view of a block for flattening a food paste showing my new design.

FIG. 2 is a side elevational view taken along line 2—2 of FIG. 1, with the opposite side having a similar appearance as represented by the uppermost edges shown in FIG. 2.

FIG. 3 is an end elevational view taken along line 3—3 of FIG. 1, with the opposite side being represented by the uppermost edge shown in FIG. 3.



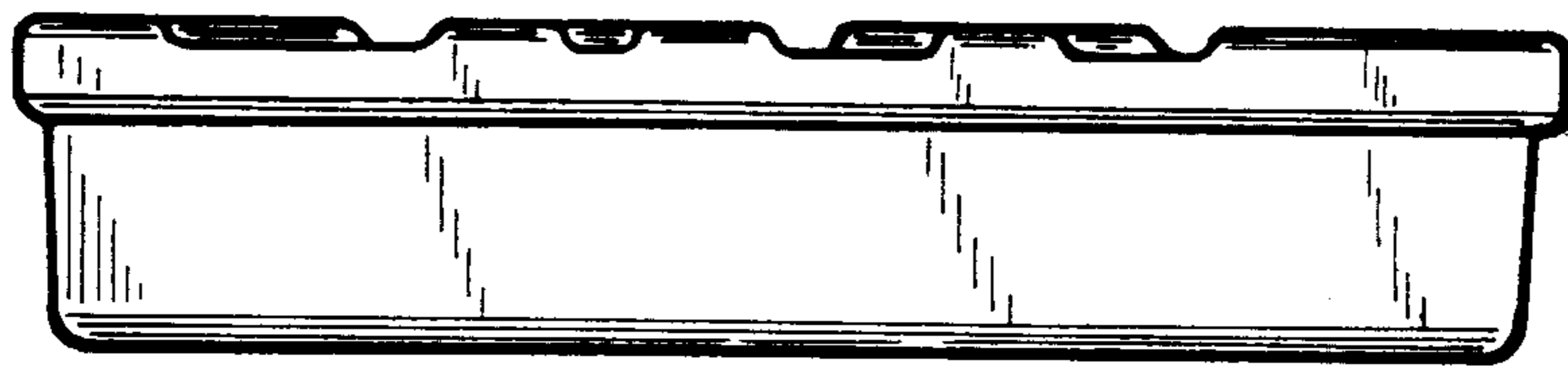
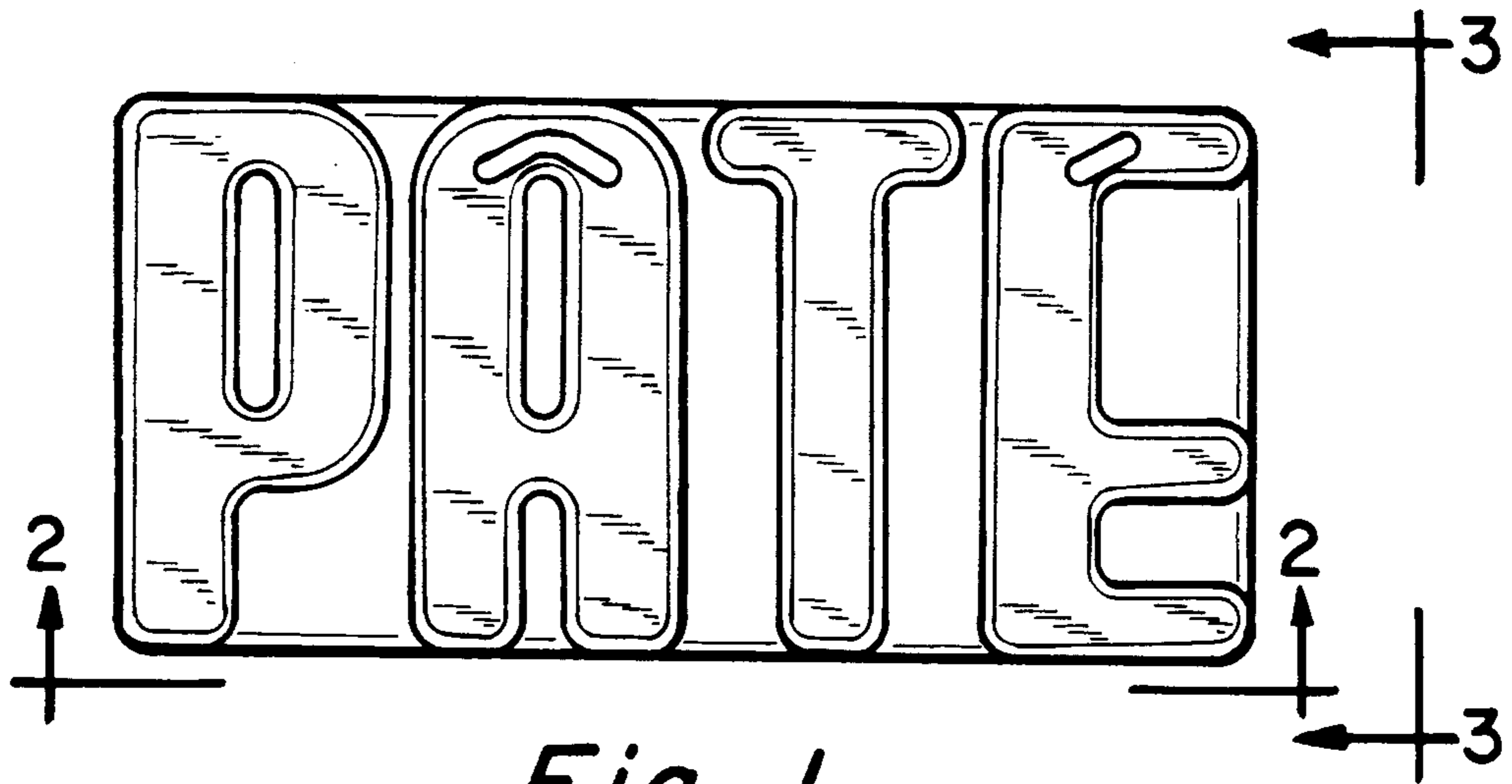


Fig. 2

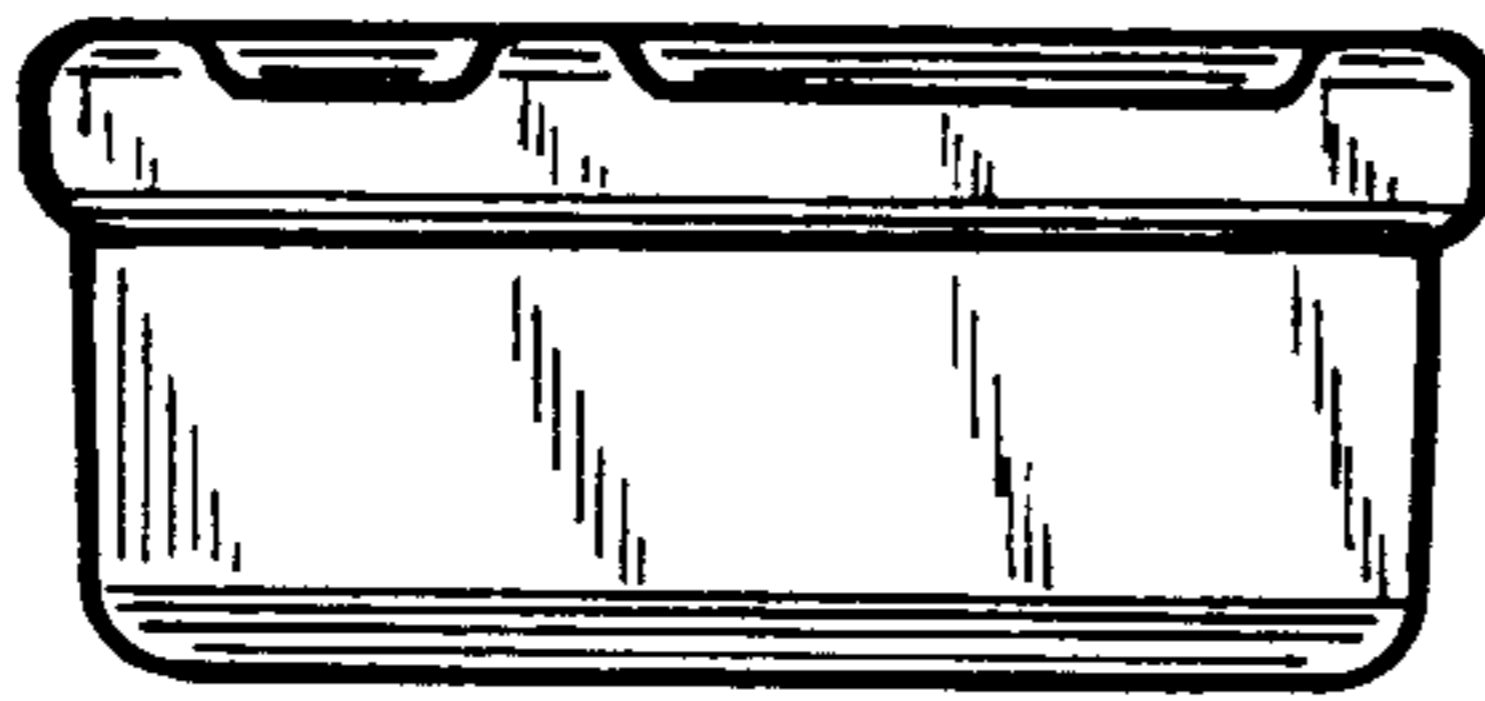


Fig. 3