

[54] DISPLAY DISPENSER FOR PERFUMES OR THE LIKE

[75] Inventors: Curtis J. Oestreich, East Windsor; Michael Radice, Oakland, both of N.J.; John J. Scalice, New York, N.Y.

[73] Assignee: Revlon, Inc., New York, N.Y.

[**] Term: 14 Years

[21] Appl. No.: 886,176

[22] Filed: Mar. 13, 1978

[51] Int. Cl. D20-02; D9-01

[52] U.S. Cl. D6/157; D6/95; D6/112; D9/418

[58] Field of Search D6/95, 157, 172, 173; 222/129, 132, 135, 144.5, 145, 180, 181, 185; D9/12, 18

[56]

References Cited

U.S. PATENT DOCUMENTS

| | | | |
|------------|---------|------------------|---------|
| D. 229,394 | 11/1973 | deGivenchy | D9/12 |
| D. 250,622 | 12/1978 | Hunter | D6/95 |
| 2,073,061 | 3/1937 | Hein | 222/135 |
| 3,349,967 | 10/1967 | Schneller | 222/132 |

Primary Examiner—Barbara J. Bullock
Attorney, Agent, or Firm—Leon E. Tenenbaum

[57]

CLAIM

The ornamental design for a display dispenser for perfumes or the like, as shown and described.

DESCRIPTION

FIG. 1 is a front elevational view of a display dispenser for perfumes or the like showing our new design, the perfume bottles and bases being shown in broken lines for illustrative purposes only;

FIG. 2 is a side elevational view thereof;

FIG. 3 is a top plan view thereof;

FIG. 4 is a rear elevational view thereof;

FIG. 5 is a bottom plan view thereof; and

FIG. 6 is a perspective view of a second embodiment of the design of FIG. 1, the only difference being the decrease in size to a single dispenser.

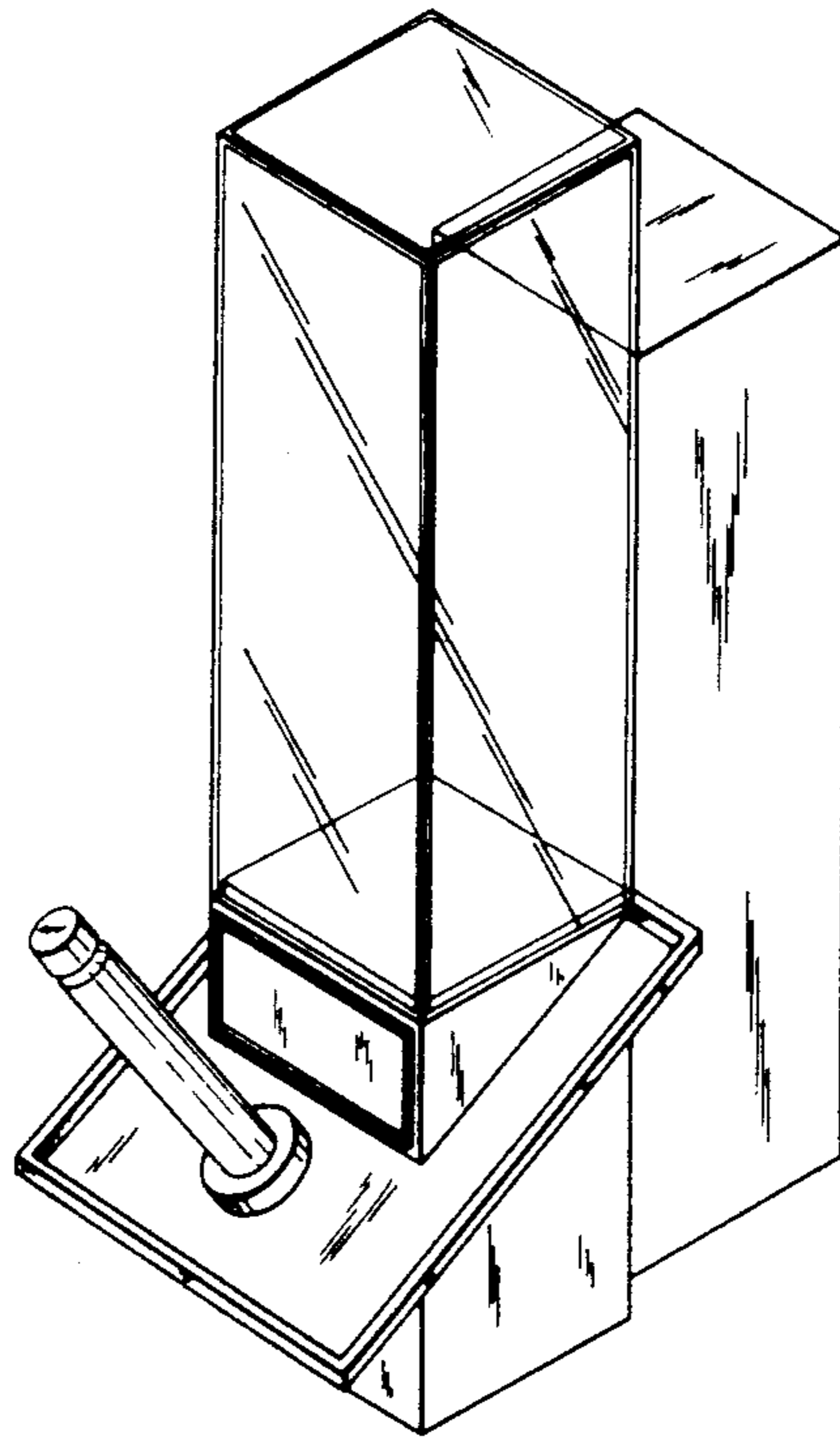


FIG. 1

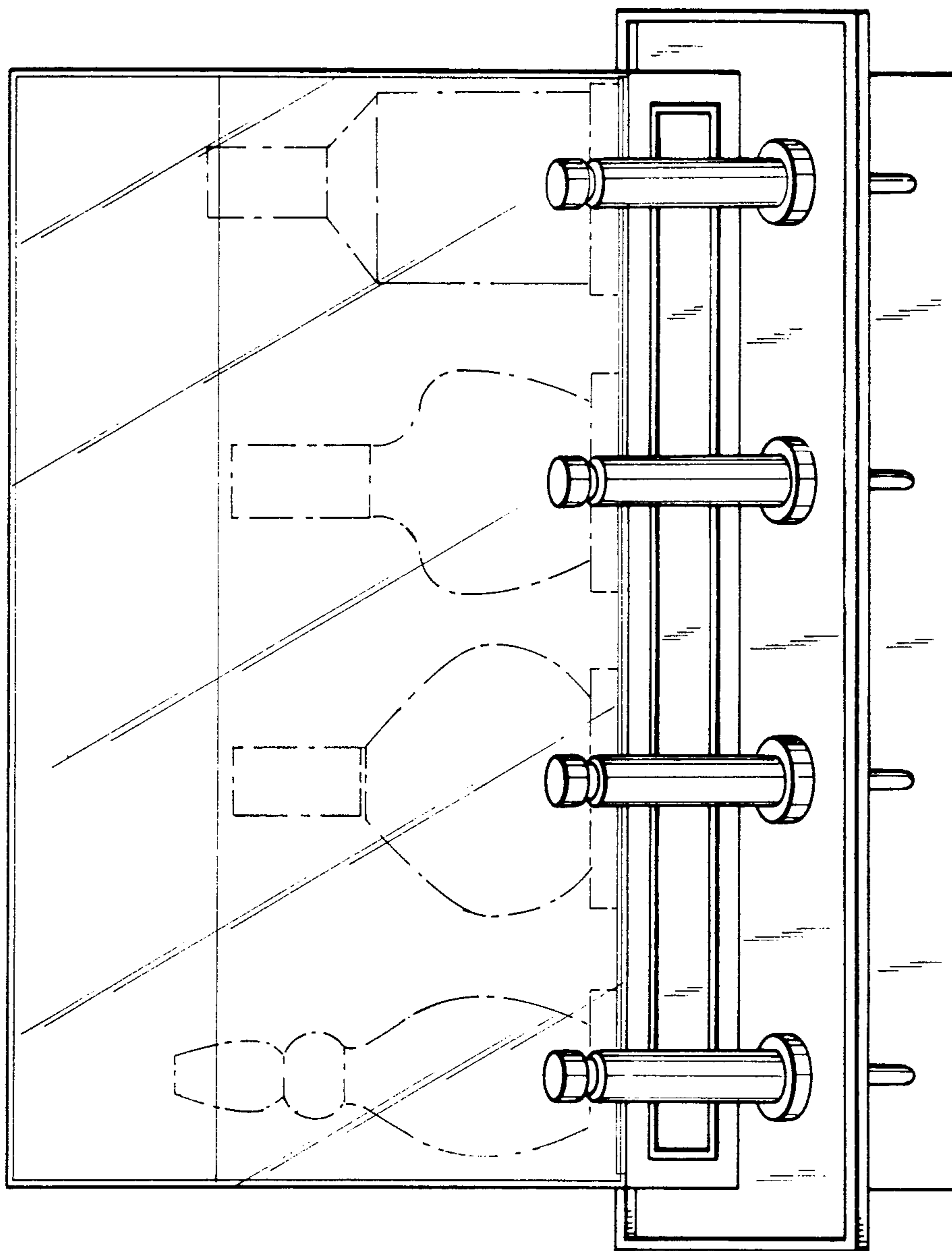


FIG. 2

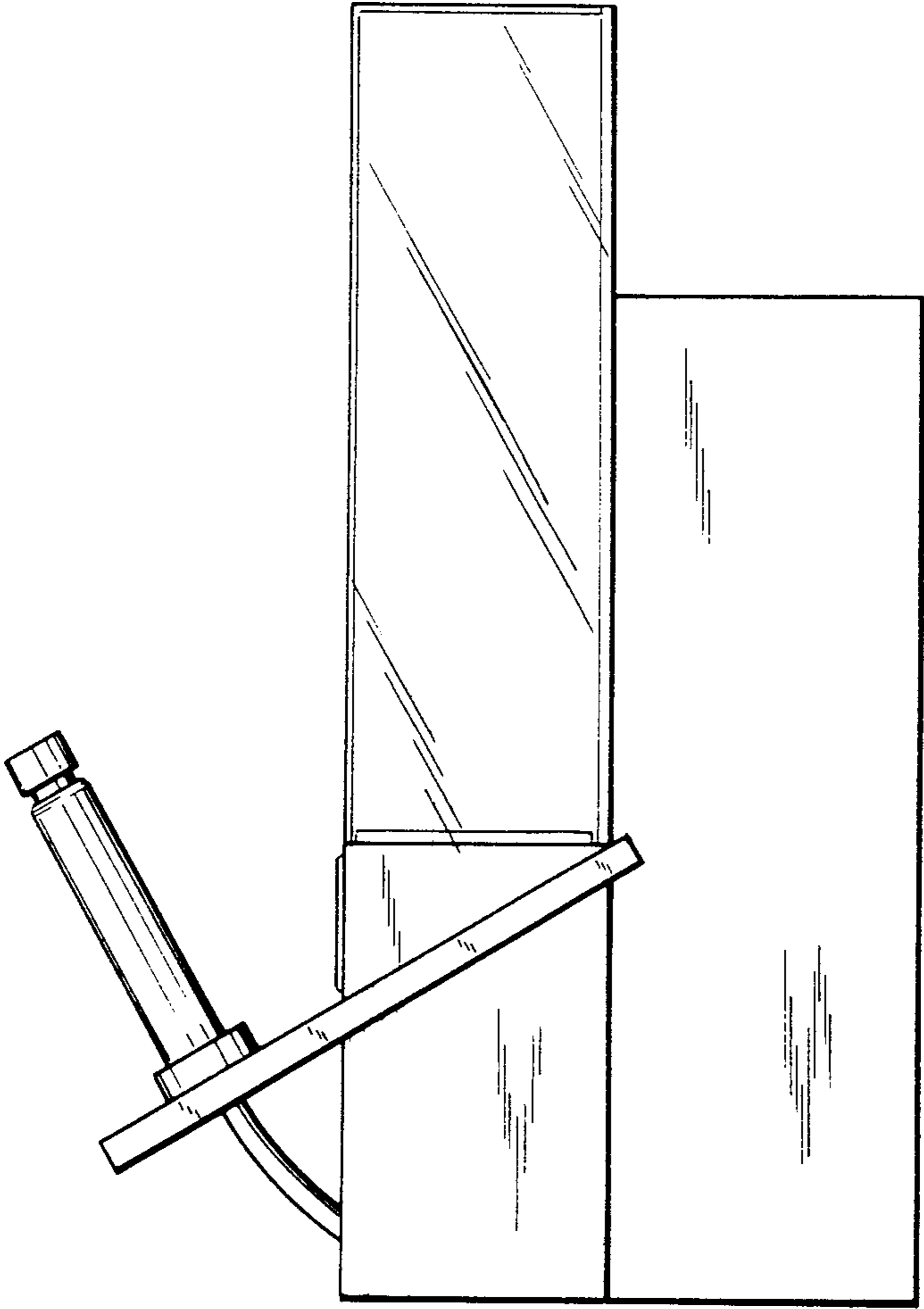


FIG. 3

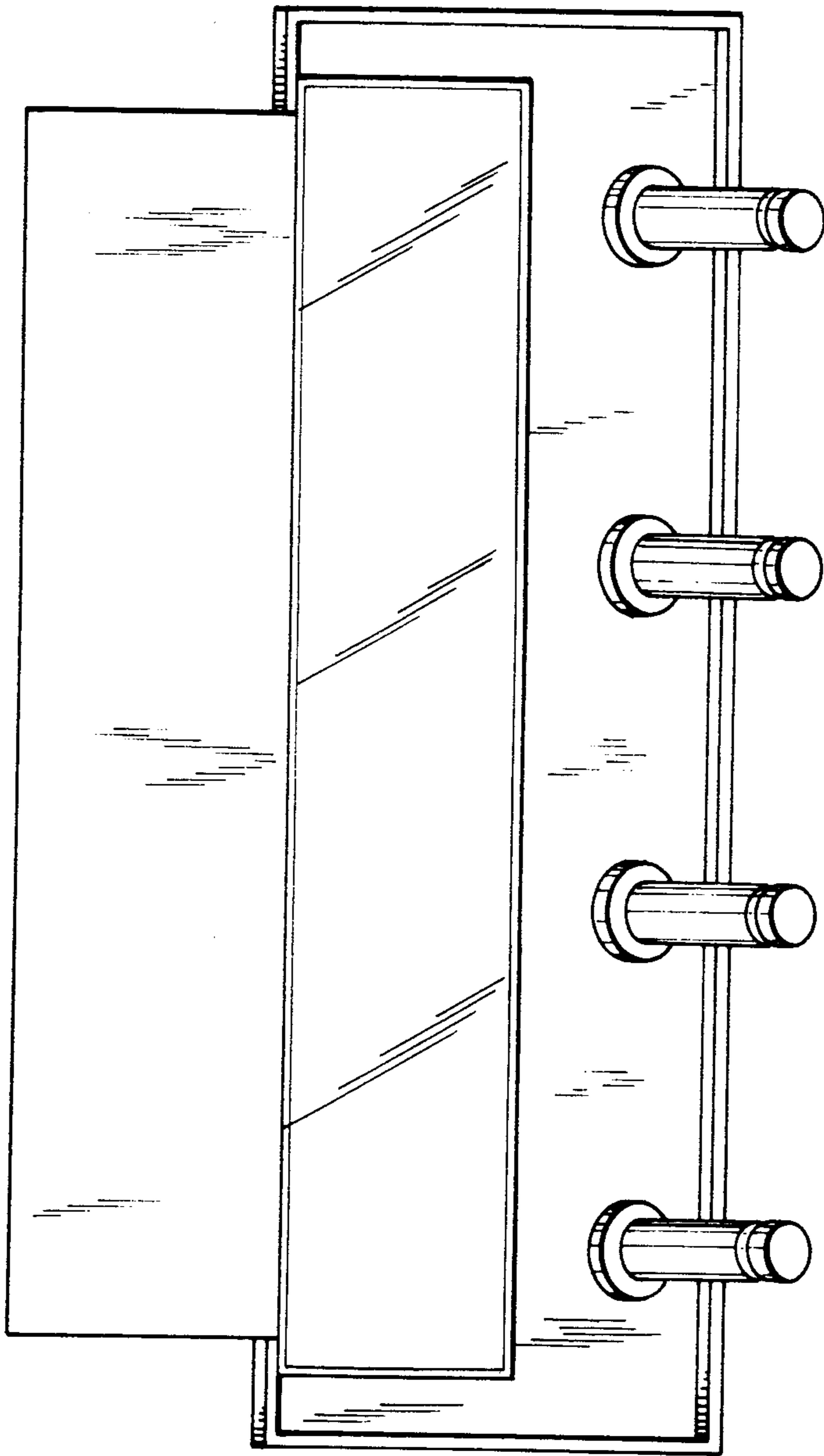


FIG. 4

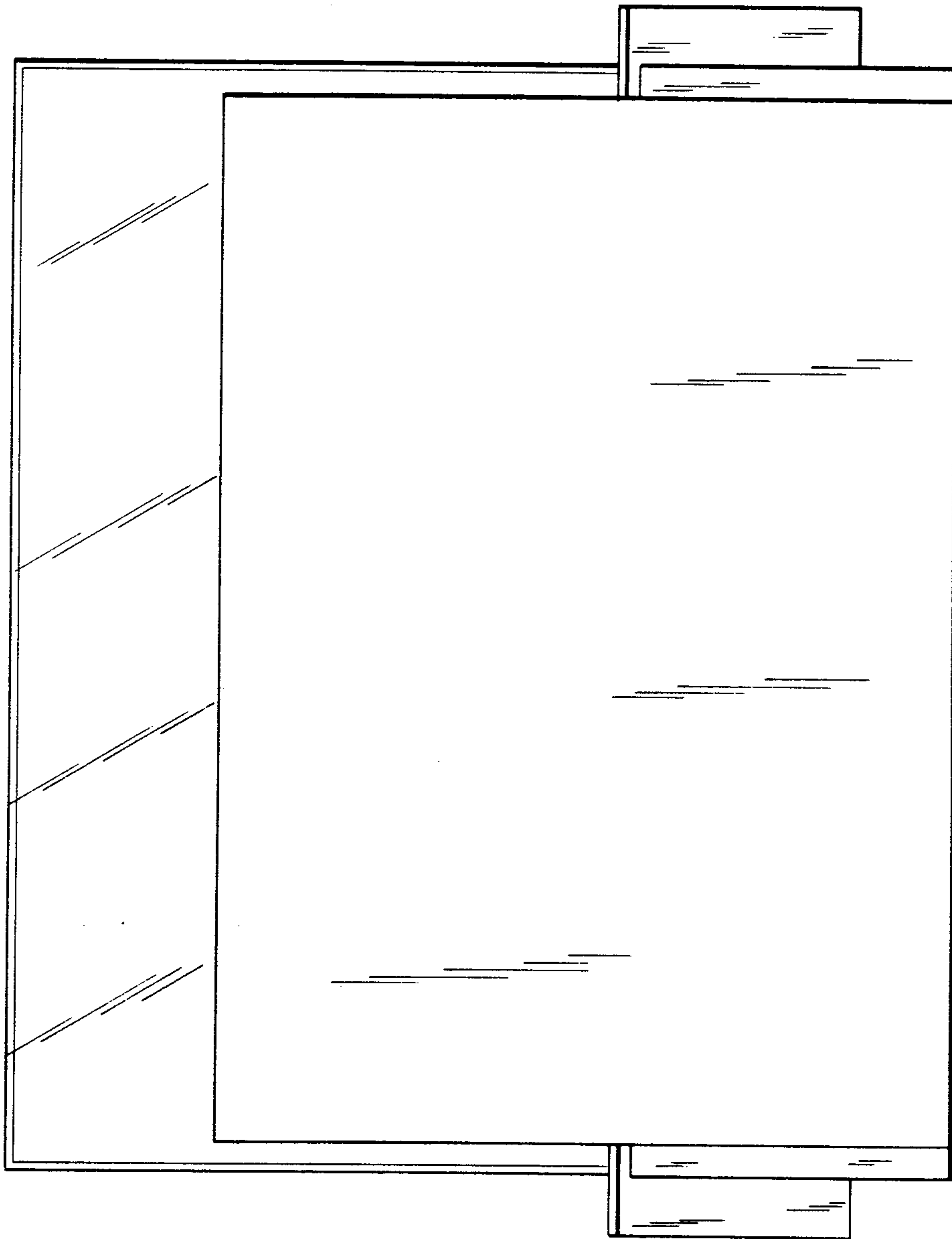


FIG. 5

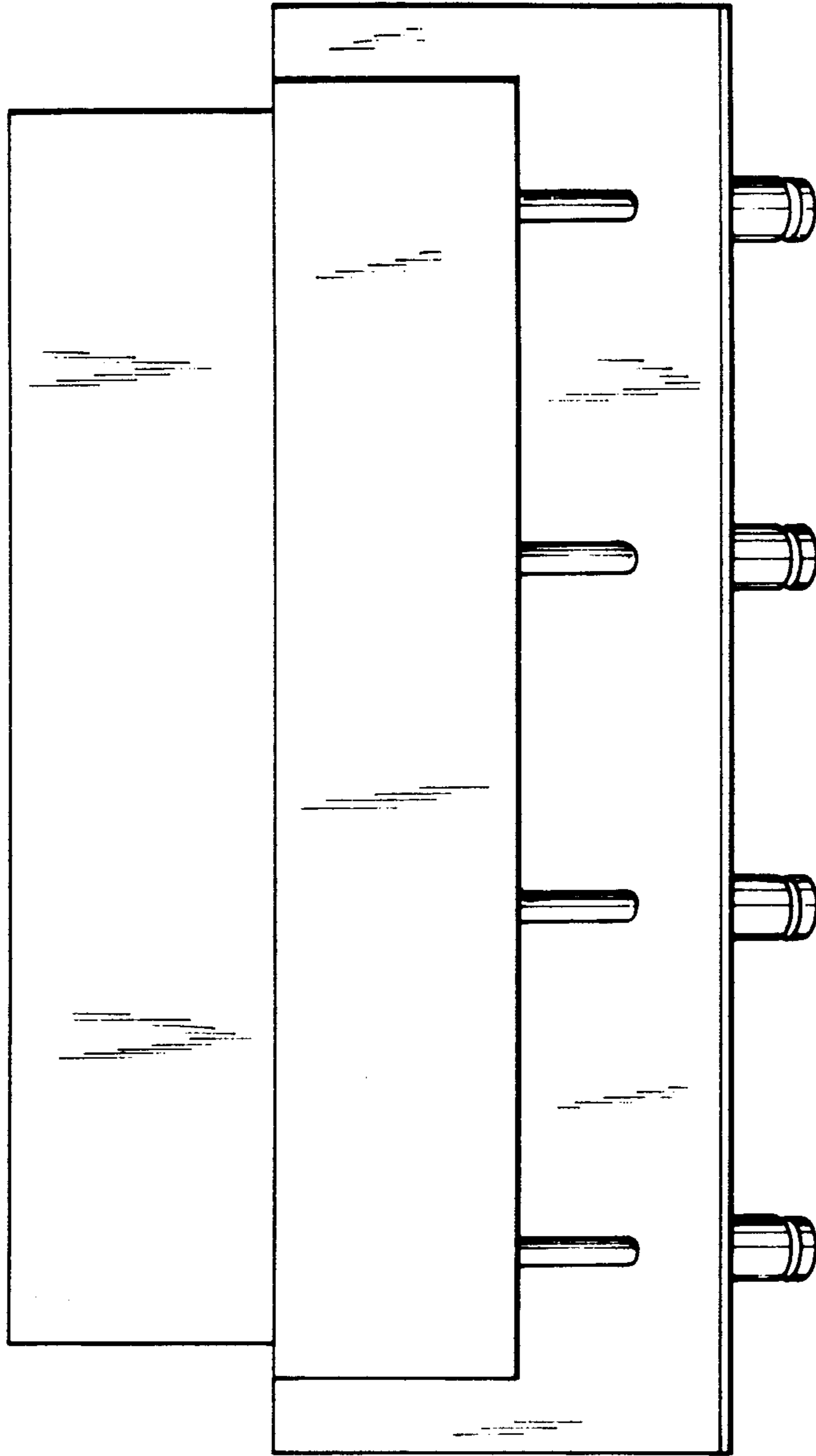


FIG. 6

