

[54] BENCH

[76] Inventor: Robert E. Haggard, First St. & A St., Snohomish, Wash. 98290

[\*\*] Term: 14 Years

[21] Appl. No.: 907,869

[22] Filed: May 19, 1978

[51] Int. Cl. .... D6-01

[52] U.S. Cl. .... D6/60

[58] Field of Search ..... D6/42, 45, 59-78; 297/454

[56] References Cited

U.S. PATENT DOCUMENTS

|            |         |        |       |         |
|------------|---------|--------|-------|---------|
| D. 13,013  | 6/1882  | Old    | ..... | D6/60   |
| D. 185,540 | 6/1959  | Everly | ..... | D6/60   |
| D. 244,159 | 5/1977  | Sowers | ..... | D6/60 X |
| D. 253,142 | 10/1979 | Herman | ..... | D6/76 X |
| 4,113,312  | 9/1978  | Skalka | ..... | 297/454 |

Primary Examiner—Bruce W. Dunkins  
Attorney, Agent, or Firm—David H. Deits

[57] CLAIM

The ornamental design for a bench, as shown and described.

DESCRIPTION

FIG. 1 is a side elevational view of the bench showing my new design, the opposite side elevational view being a mirror image;

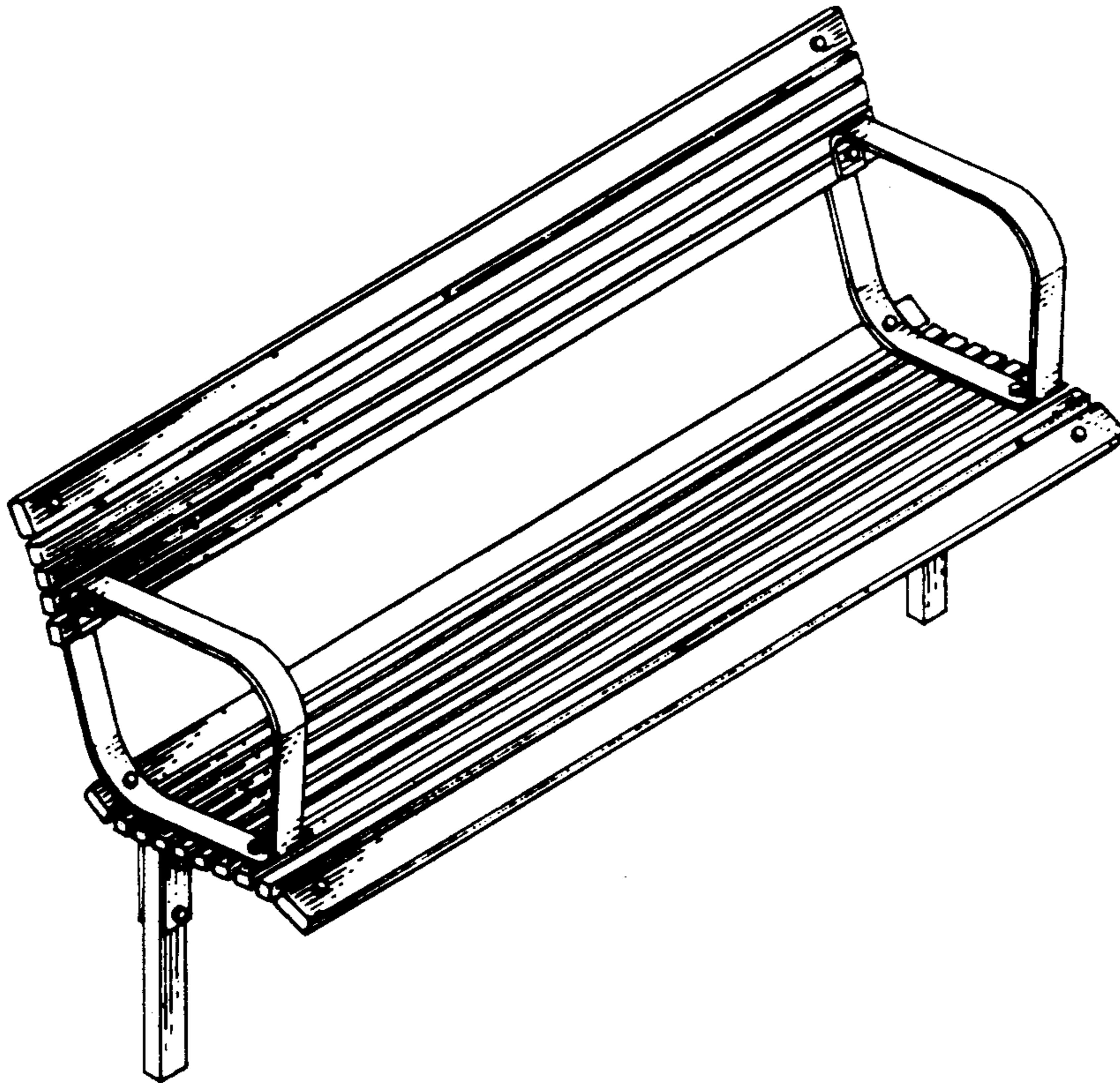
FIG. 2 is a front elevational view thereof with portions broken away for convenience of illustration;

FIG. 3 is a top plan view thereof with portions broken away for convenience of illustration;

FIG. 4 is a rear elevational view thereof with portions broken away for convenience of illustration;

FIG. 5 is a bottom plan view thereof with portions broken away for convenience of illustration; and

FIG. 6 is an isometric view thereof at a reduced scale which illustrates the relationship of the length to the height and width.



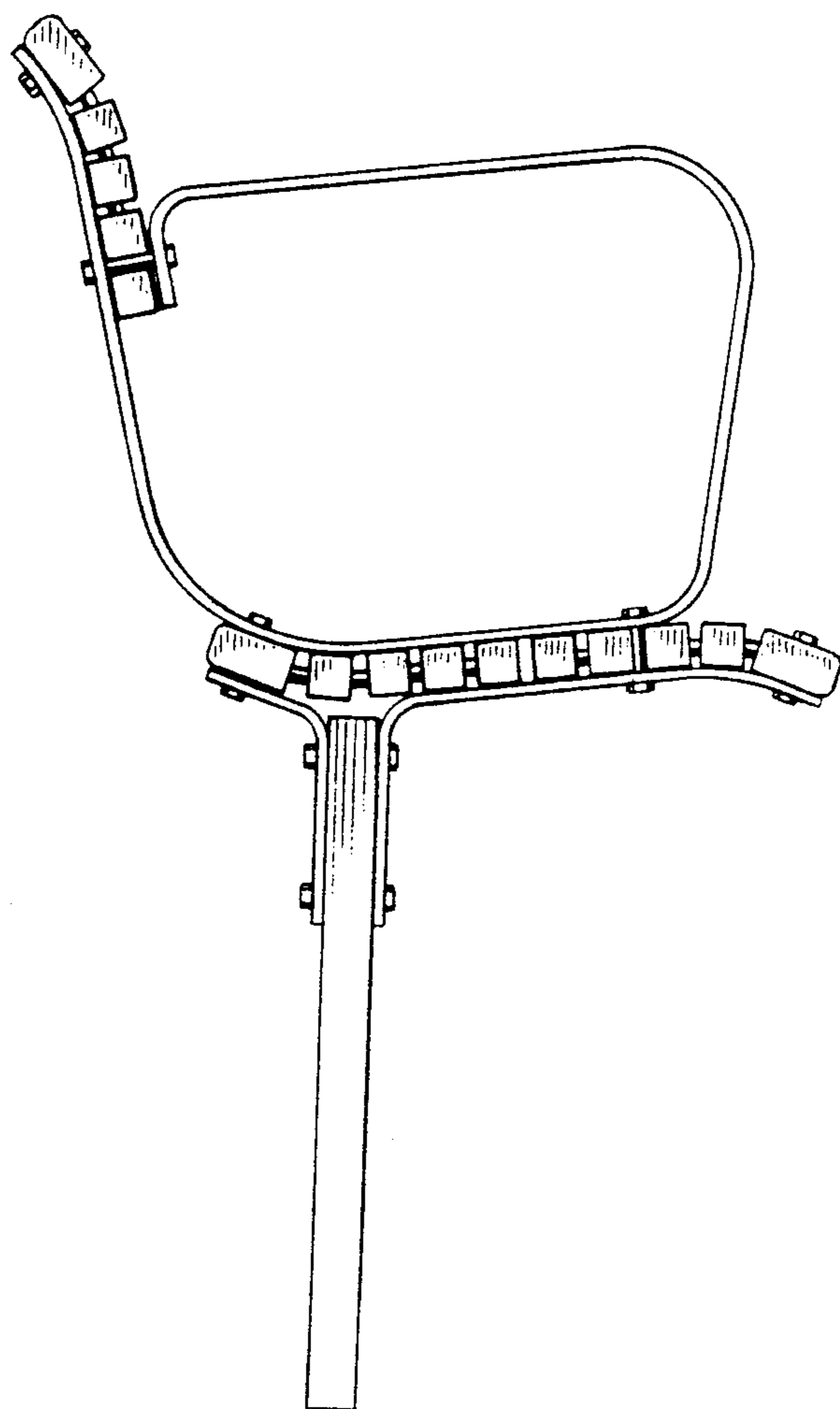


FIG. 1

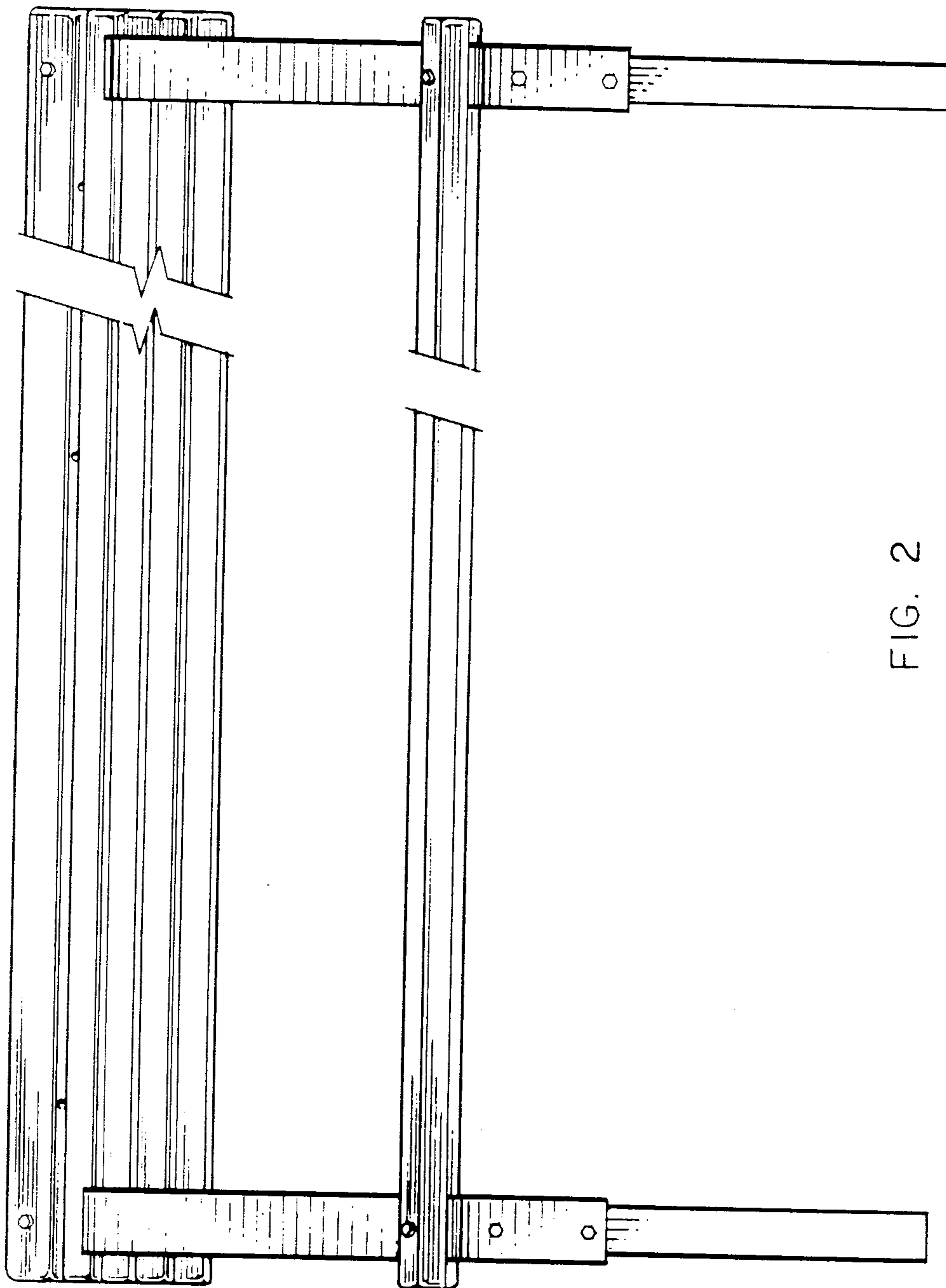


FIG. 2

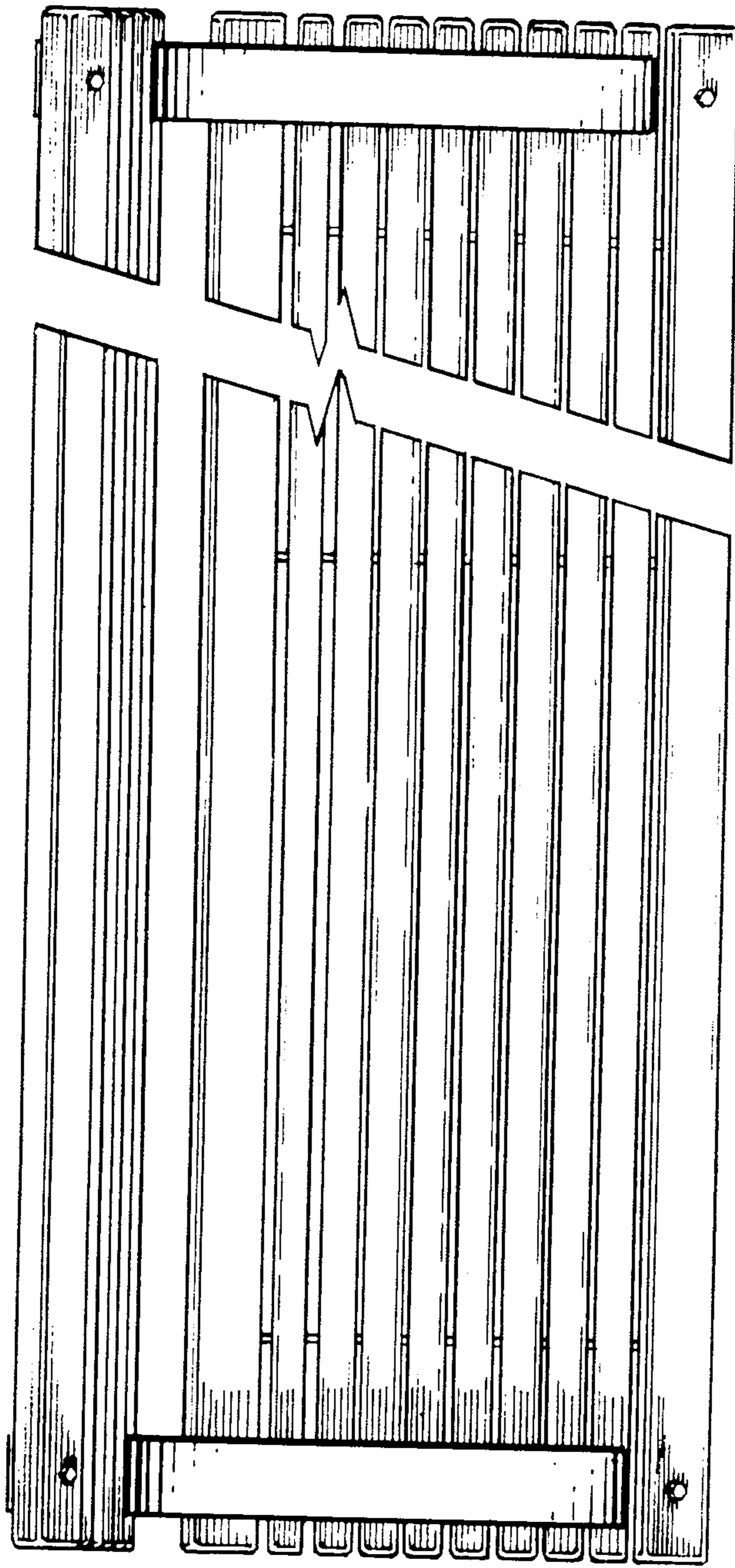


FIG. 3

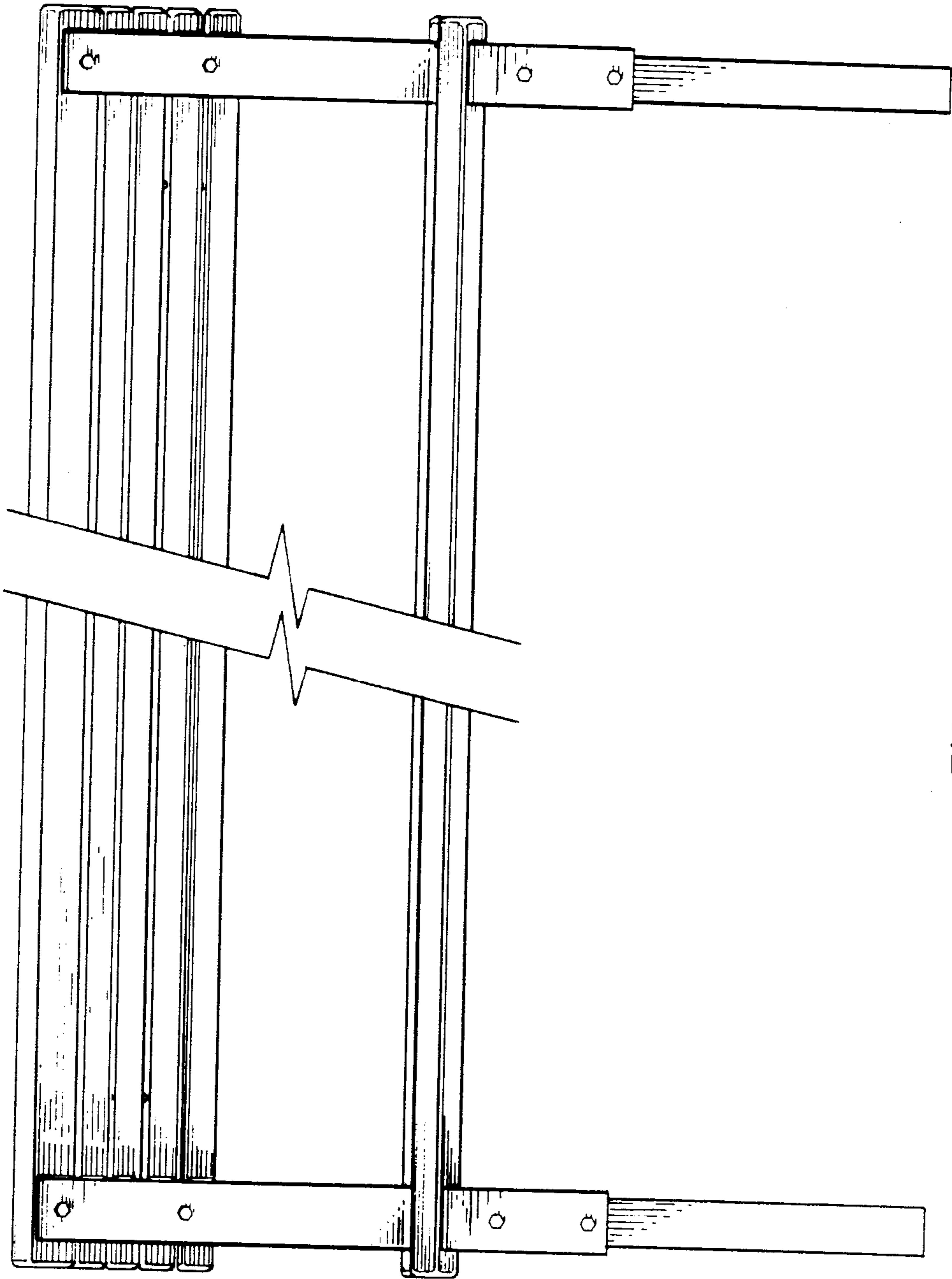


FIG. 4

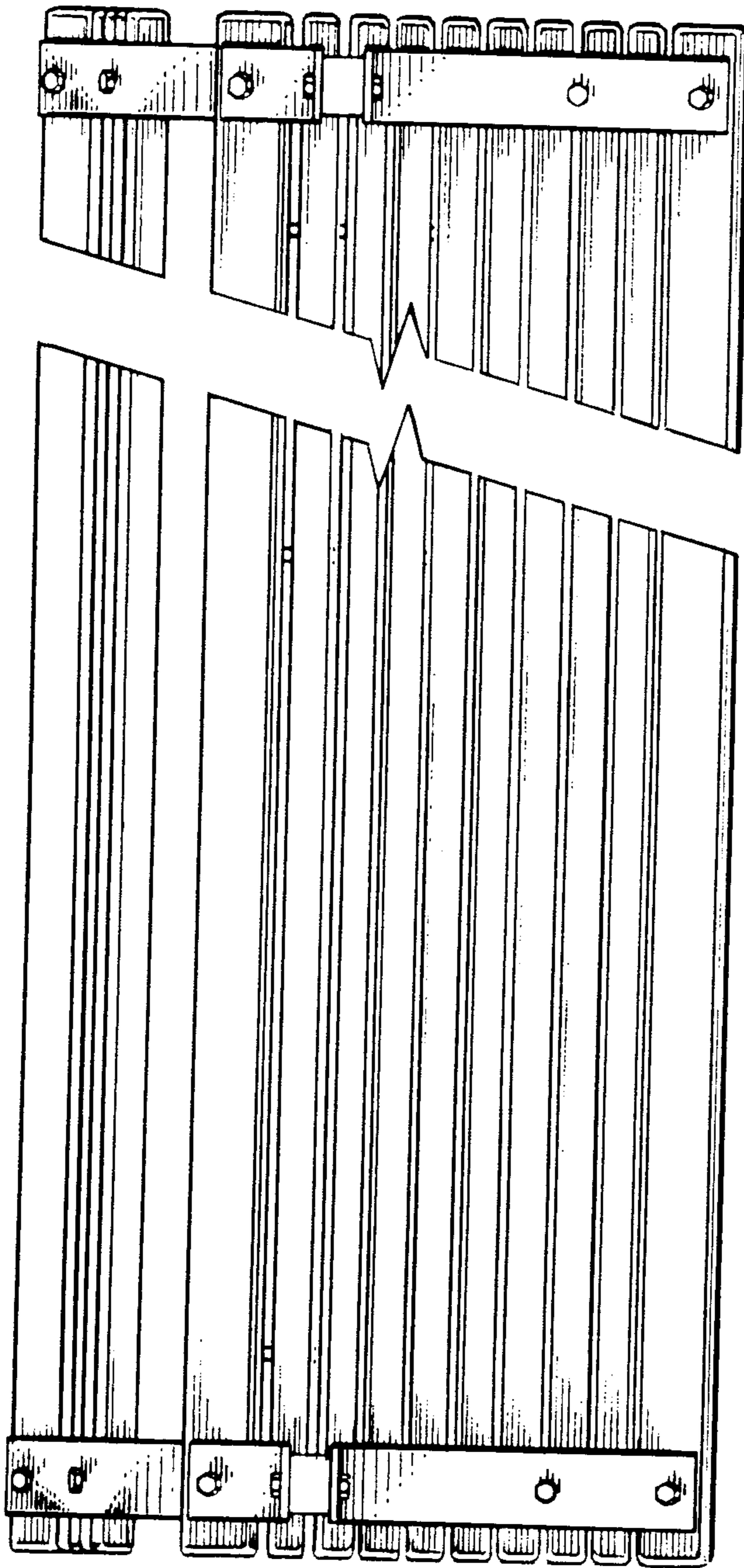


FIG. 5

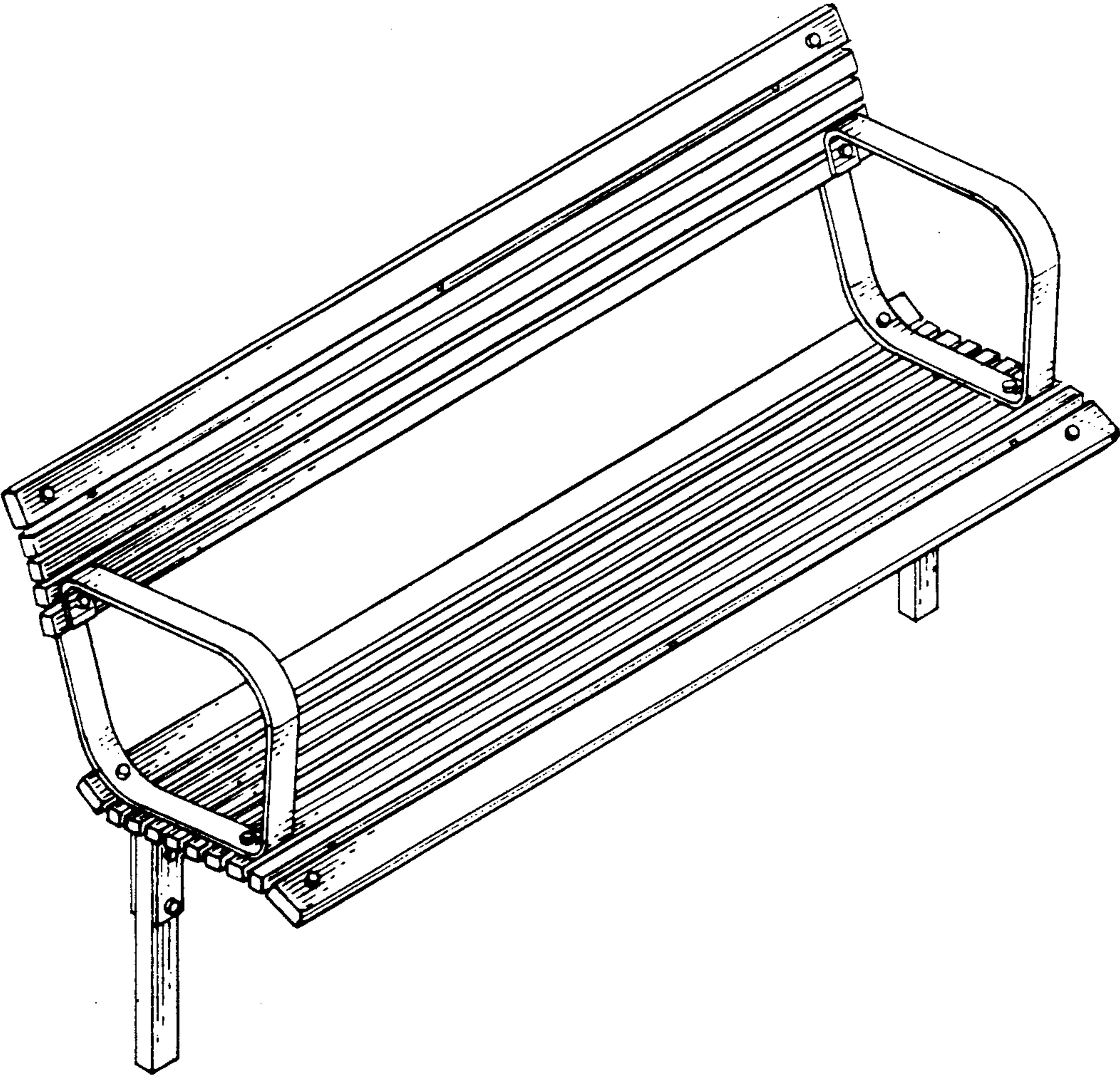


FIG. 6