

[54] VANITY CASE

[75] Inventor: Erling H. Pedersen, Lyngby, Denmark

[73] Assignee: Stig Ravn A/S, Farum, Denmark

[\*\*] Term: 14 Years

[21] Appl. No.: 930,820

[22] Filed: Aug. 3, 1978

[30] Foreign Application Priority Data

Feb. 3, 1978 [DK] Denmark ..... 108/78

[51] Int. Cl. .... D3-01

[52] U.S. Cl. .... D3/39; D3/74; D3/78

[58] Field of Search ..... D3/30, 39, 74, 75, 78; D28/61, 67, 68; 132/83 R, 83 C

[56] References Cited

U.S. PATENT DOCUMENTS

D. 144,533 4/1946 Worley ..... D3/39

D. 206,477 12/1966 Ax ..... D3/39  
D. 215,634 10/1969 Andre ..... D3/39  
D. 223,068 3/1972 Long et al. .... D3/39  
D. 249,391 9/1978 Krapowitz ..... D3/74

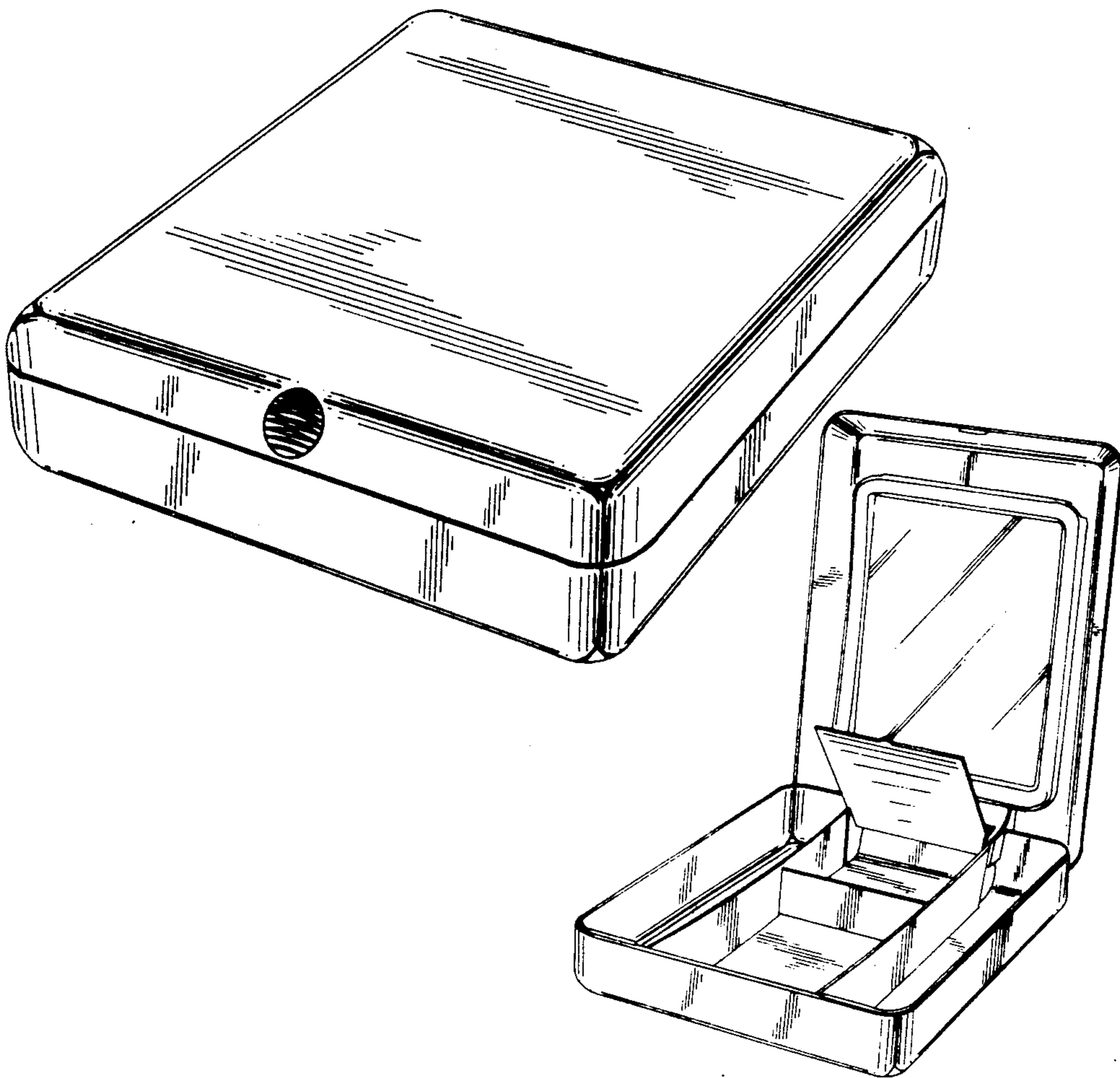
Primary Examiner—George P. Word  
Attorney, Agent, or Firm—Watson, Cole, Grindle & Watson

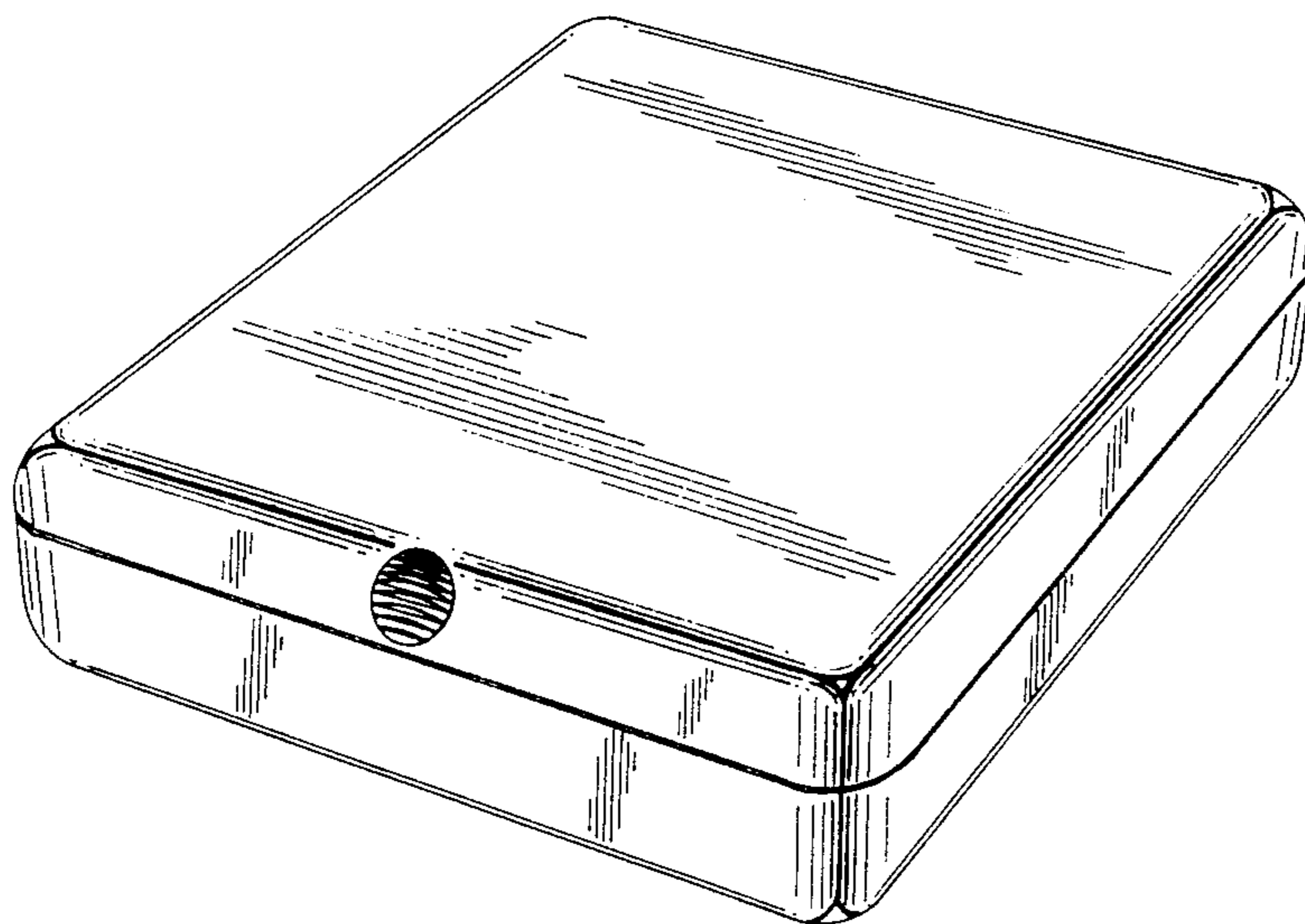
[57] CLAIM

The ornamental design for a vanity case, as shown and described.

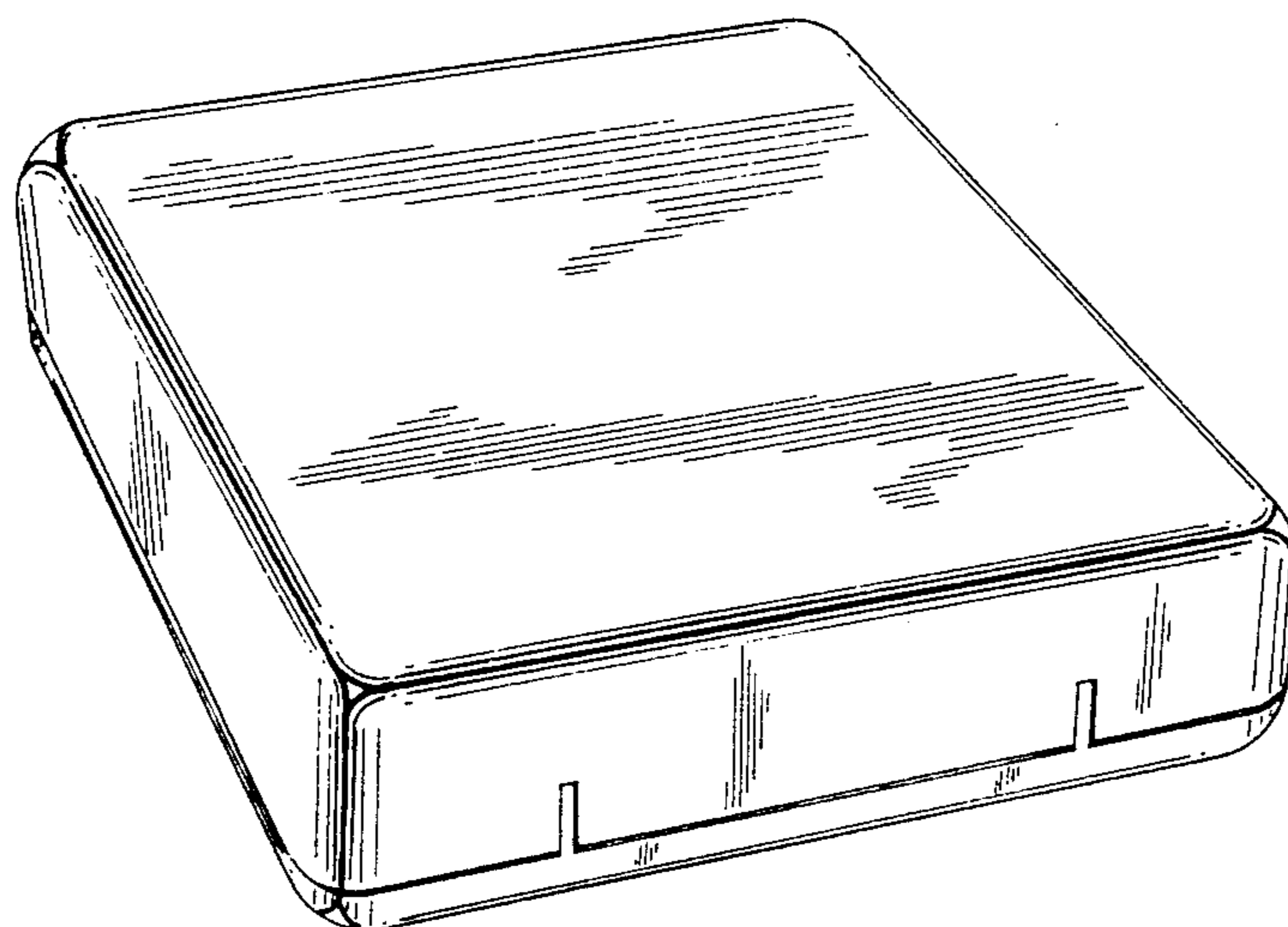
DESCRIPTION

FIG. 1 is a perspective view of a vanity case showing my new design;  
FIG. 2 is an inverted bottom rear perspective view thereof;  
FIG. 3 is a perspective view of FIG. 1 with the cover in an open position;  
FIG. 4 is a perspective view thereof with the inner compartment lid open; and  
FIG. 5 is a perspective view of the vanity case with the cover and mirror in an alternate position.

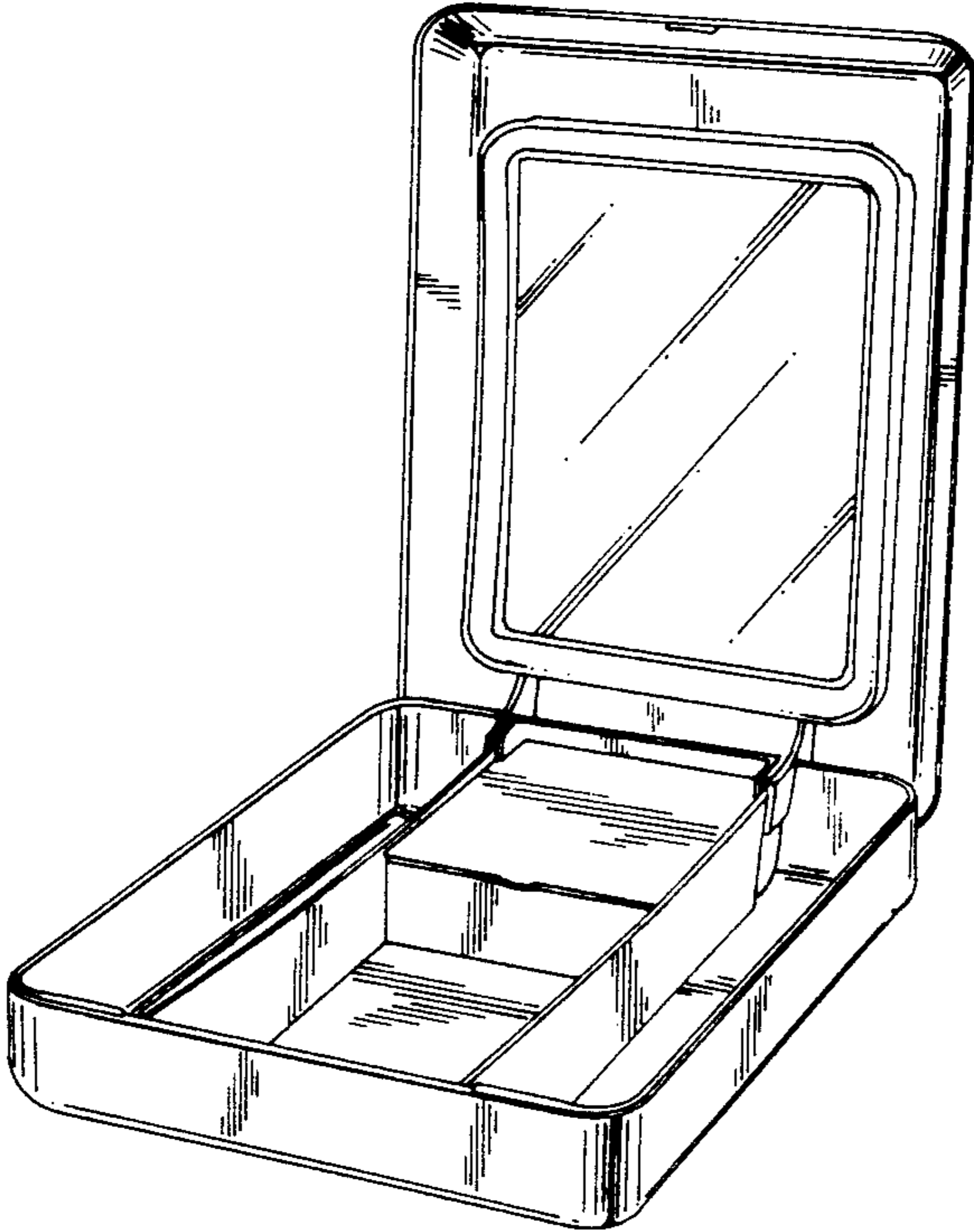




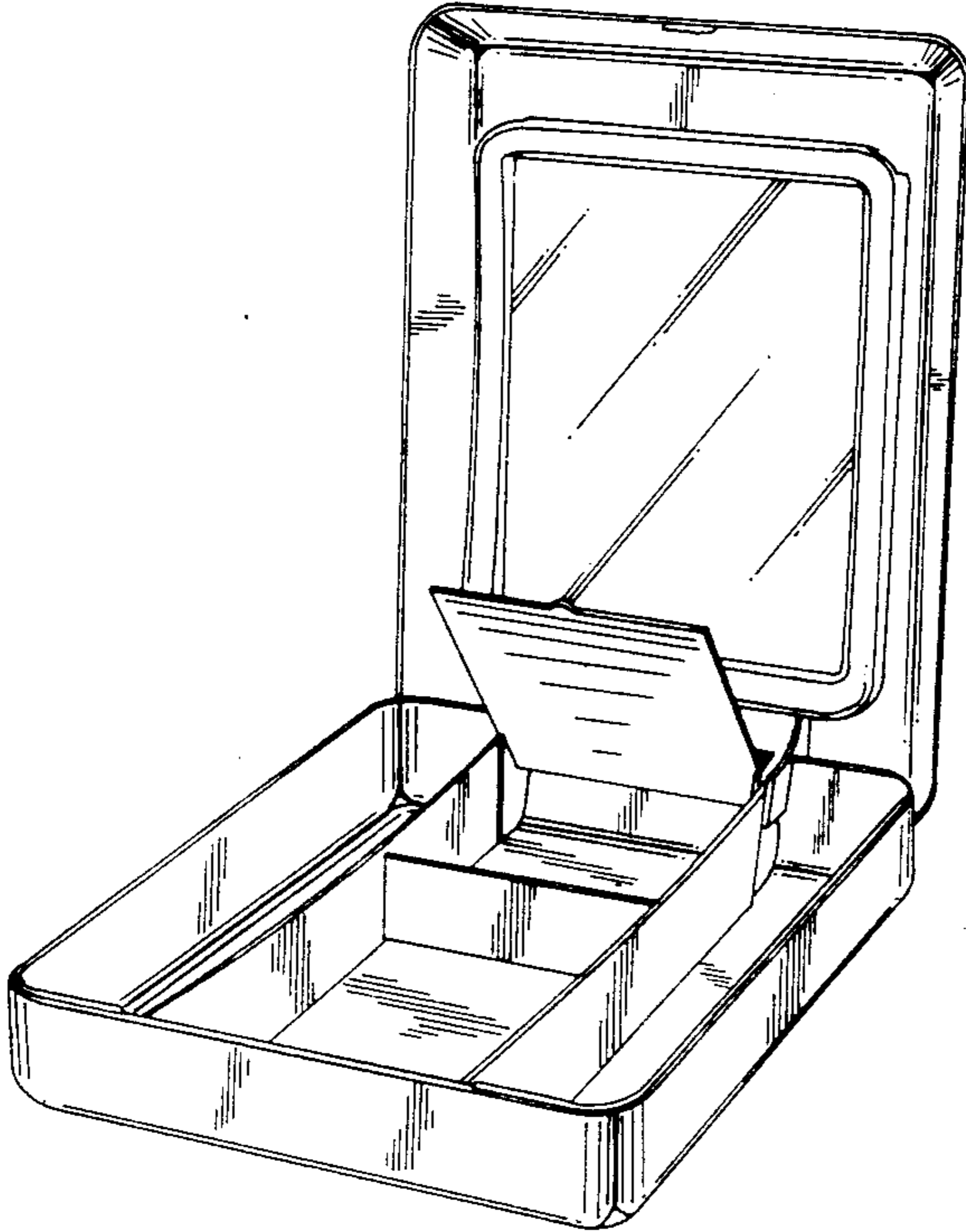
*Fig. 1*



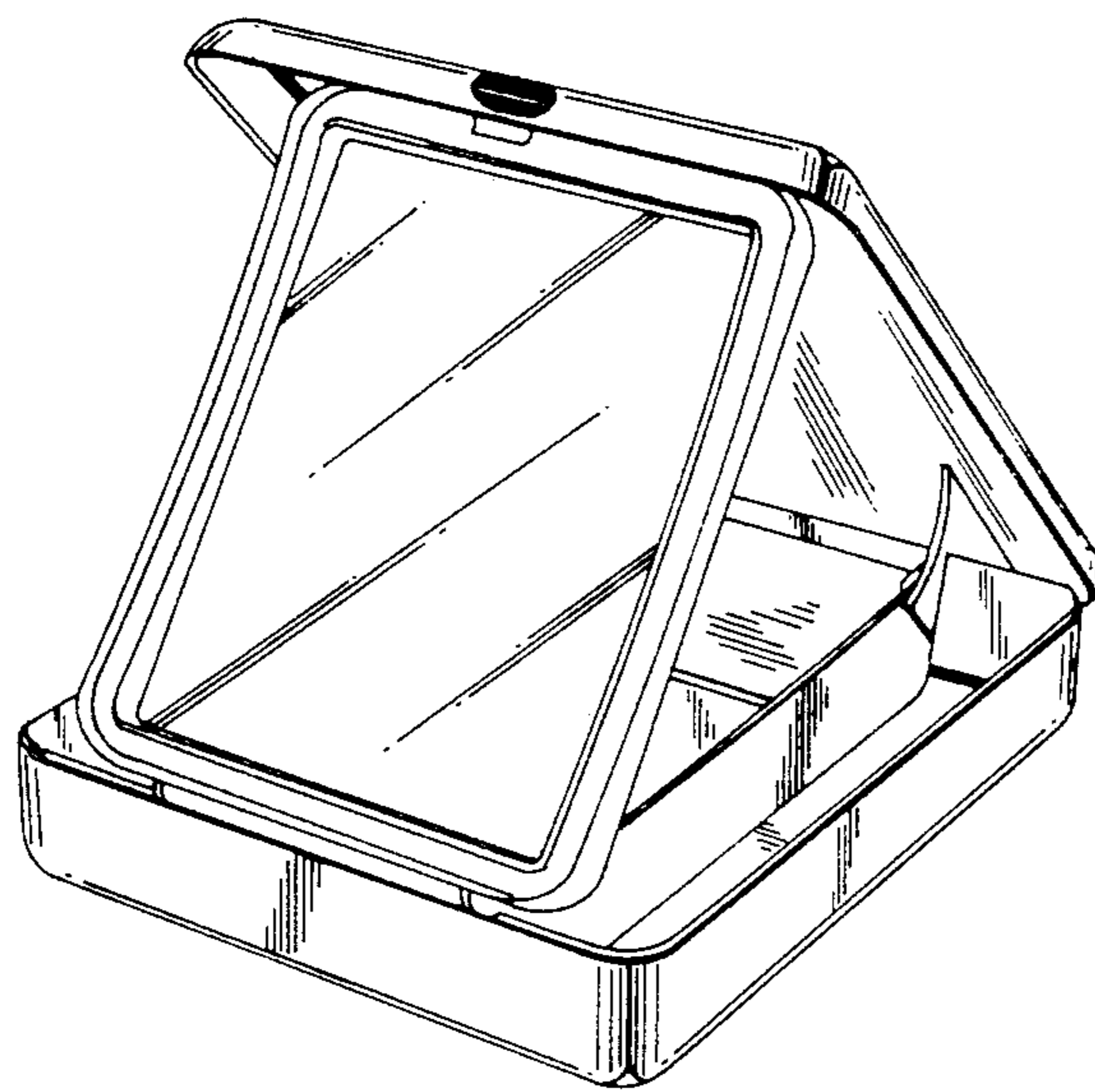
*Fig. 2*



**Fig. 3**



*Fig. 4*



**Fig. 5**