

[54] DETACHABLE FILE FOLDER FOR AN ATTACHE CASE

[76] Inventor: George Rapoport, 8787 Shoreham Dr., Number "C", Los Angeles, Calif. 90057

[**] Term: 14 Years

[21] Appl. No.: 917,390

[22] Filed: Jun. 20, 1978

[51] Int. Cl. D3-01

[52] U.S. Cl. D3/79; D3/52

[58] Field of Search D3/30, 52, 78, 79; 150/1.6

[56] References Cited

U.S. PATENT DOCUMENTS

D. 236,629	9/1975	McMananey	D3/52
3,023,793	3/1962	Commons	150/1.6
3,294,135	12/1966	Brenner	150/1.6

OTHER PUBLICATIONS

Best Products Cat., 1975, p. 198, Item No. "A".
Best Products Cat., 1975, p. 199, Item "G".

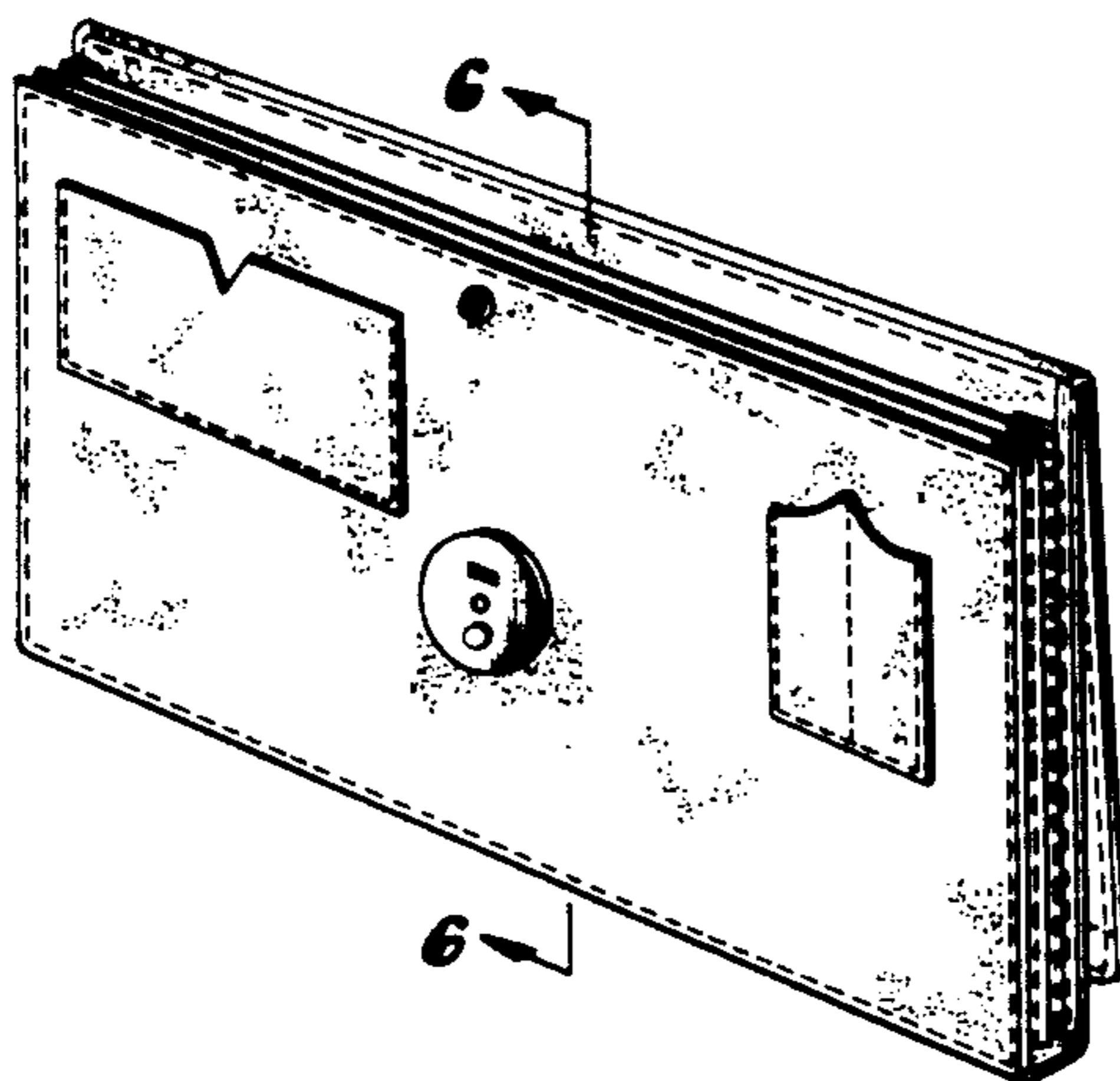
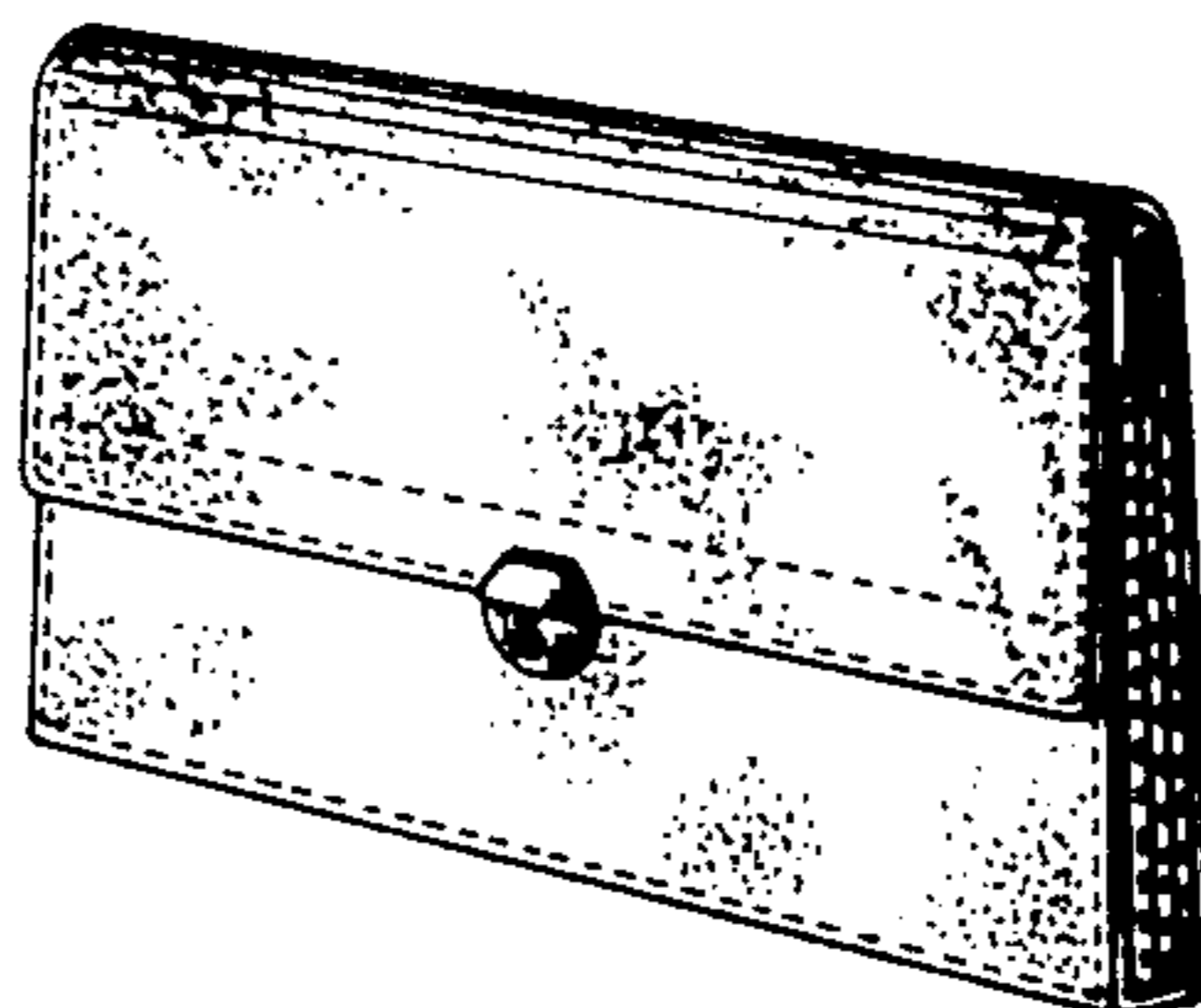
Primary Examiner—George P. Word
Attorney, Agent, or Firm—Warren L. Patton

[57] CLAIM

The ornamental design for a detachable file folder for an attache case, substantially as shown and described.

DESCRIPTION

FIG. 1 is a perspective view of a detachable file folder for an attache case showing my new design; FIG. 2 is a rear elevational view thereof; FIG. 3 is a left end elevational view thereof; FIG. 4 is a bottom plan view thereof; FIG. 5 is a reduced scale perspective view of the detachable file folder for an attache case with the flap in a closed position; and FIG. 6 is an enlarged scale cross-sectional view taken along line 6-6 of FIG. 1, an intermediate portion of the folder and flap being broken away and omitted for convenience of illustration. The rear of the folder is plain and unornamented.



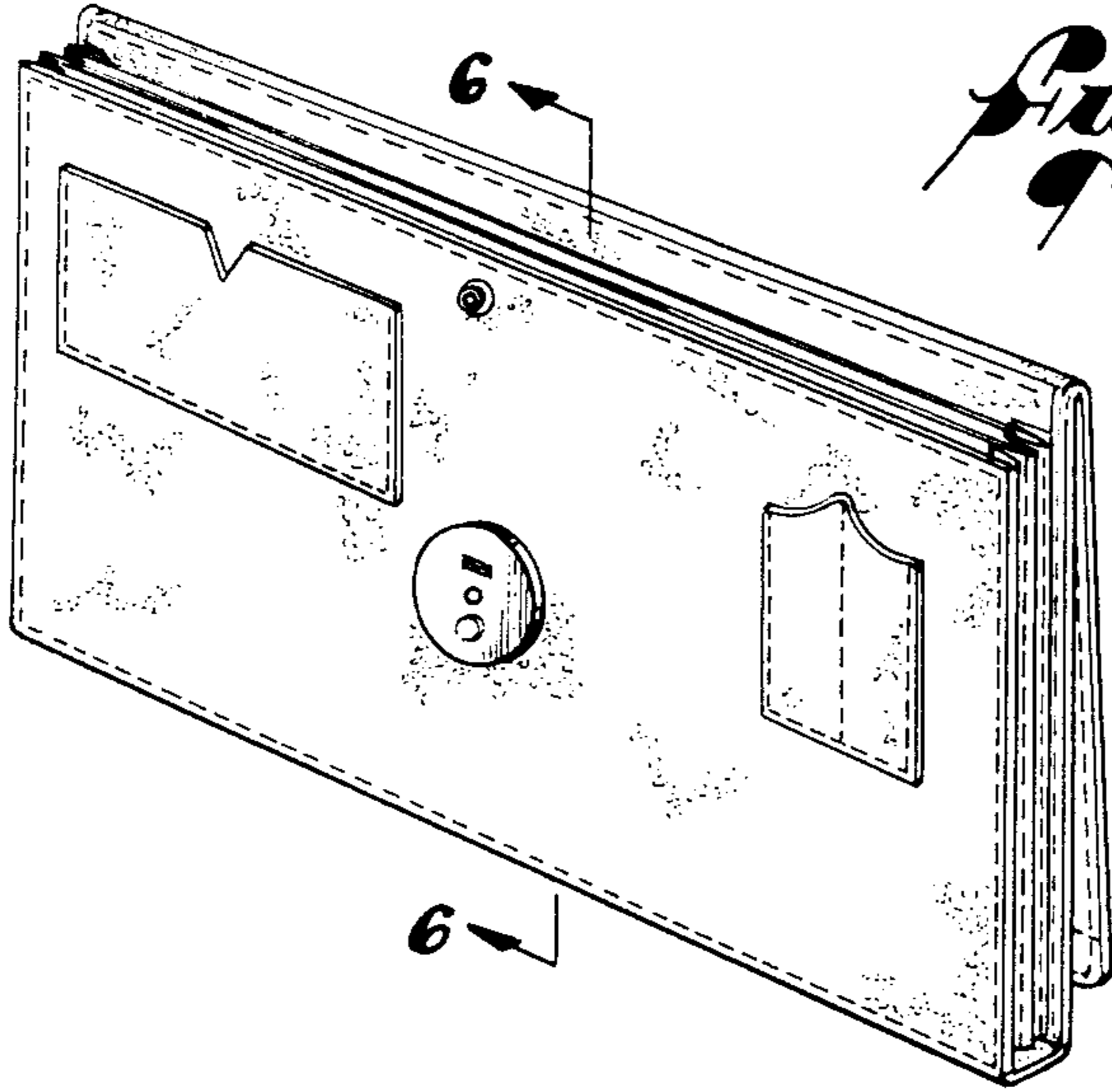


Fig. 1

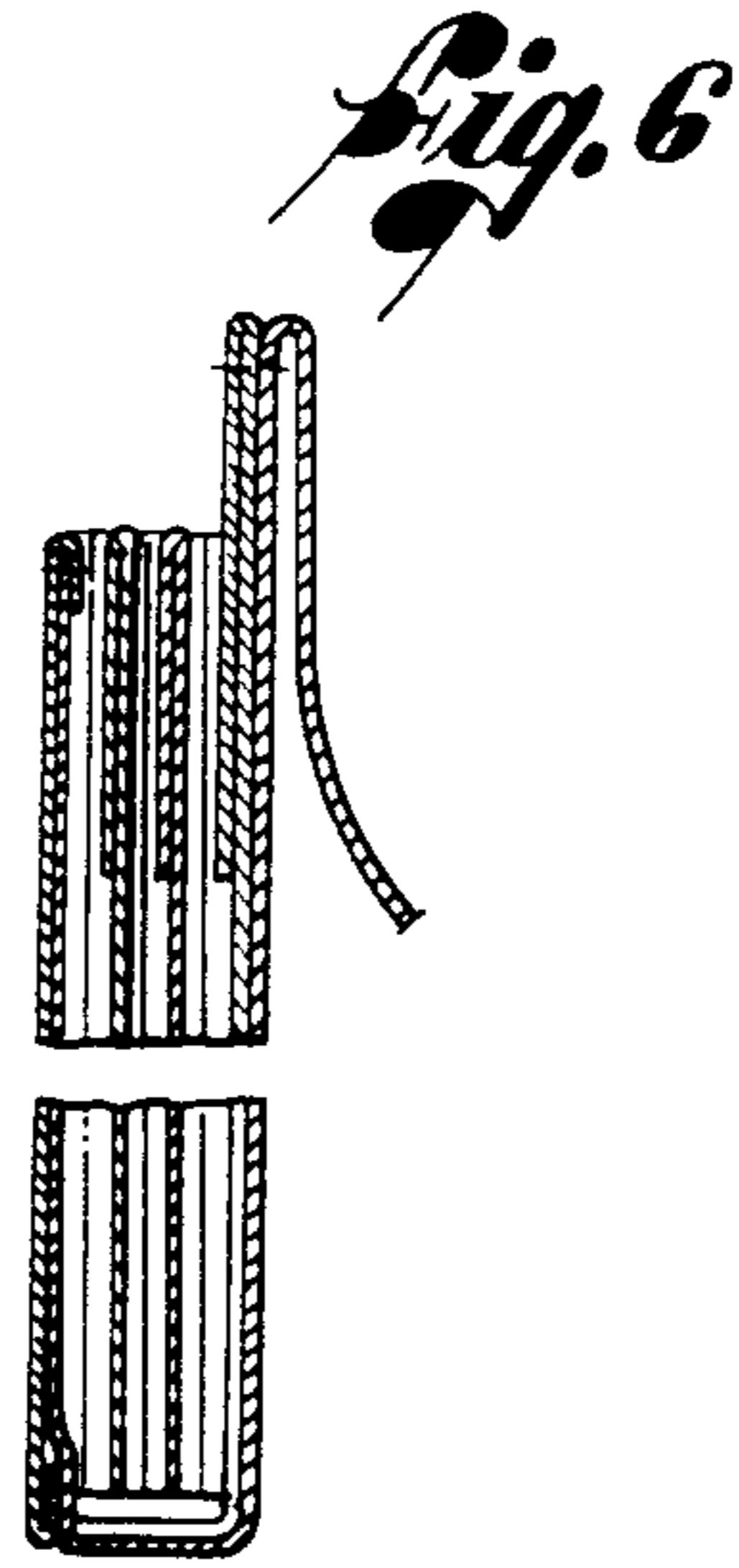


Fig. 6

Fig. 2

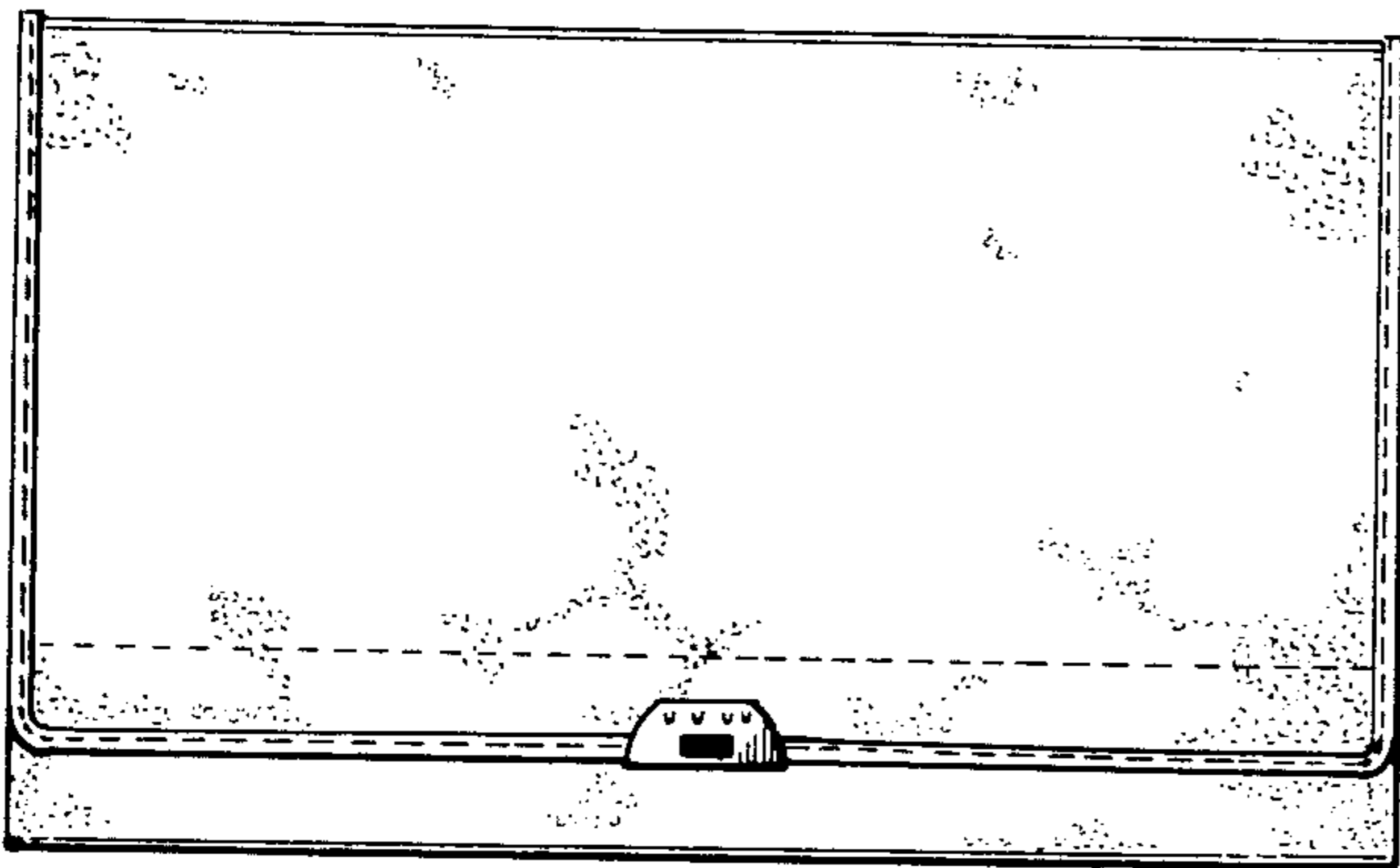


Fig. 3

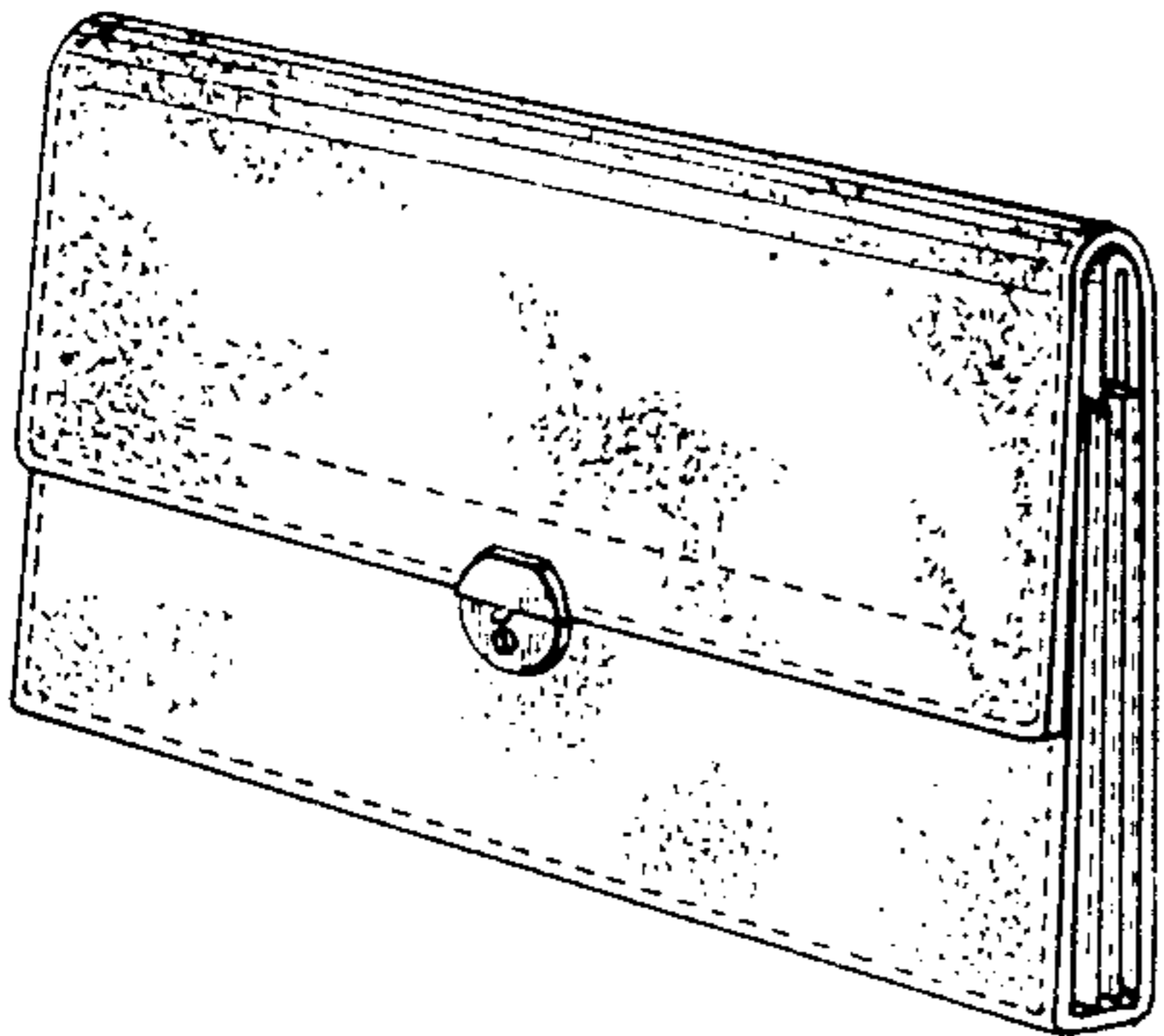


Fig. 5