

[54] **AUTOMATIC FEEDER FOR LIVESTOCK**
[76] Inventor: **Ernst G. Gunnarsson, Severin**
Cavallinsgatan 7, S-235 00 Vellinge,
Sweden

[**] Term: **14 Years**

[21] Appl. No.: **960,268**

[22] Filed: **Nov. 13, 1978**

[30] **Foreign Application Priority Data**

May 12, 1978 [SE] Sweden 78-1271

[51] Int. Cl. **D30-03**

[52] U.S. Cl. **D30/13**

[58] Field of Search **D30/13-17;**
119/51.11, 52 B, 52 AF

[56] **References Cited**

U.S. PATENT DOCUMENTS

D. 216,705 3/1970 Kitson D30/13
D. 228,141 8/1973 Kitson D30/13

D. 238,085 12/1975 Kitson D30/13
3,598,087 8/1971 Ramsey 119/51.11
3,605,698 9/1971 Thyberg 119/52 B
3,811,412 5/1974 Murto et al. D30/13 X
4,030,452 6/1977 Keen et al. 119/52 B
4,175,596 11/1979 Jergensen 119/52 AF

Primary Examiner—James R. Largen

[57] **CLAIM**

The ornamental design for an automatic feeder for livestock, substantially as shown and described.

DESCRIPTION

FIG. 1 is an exploded perspective view taken from the front, top and left side of an automatic feeder for livestock showing my new design;

FIG. 2 is a perspective view taken from the top front and right side thereof;

FIG. 3 is a perspective view taken from the front, top and right side of a modified form of the automatic feeder for livestock shown in FIG. 1; and

FIG. 4 is a perspective view taken from the rear and left side of FIG. 3.

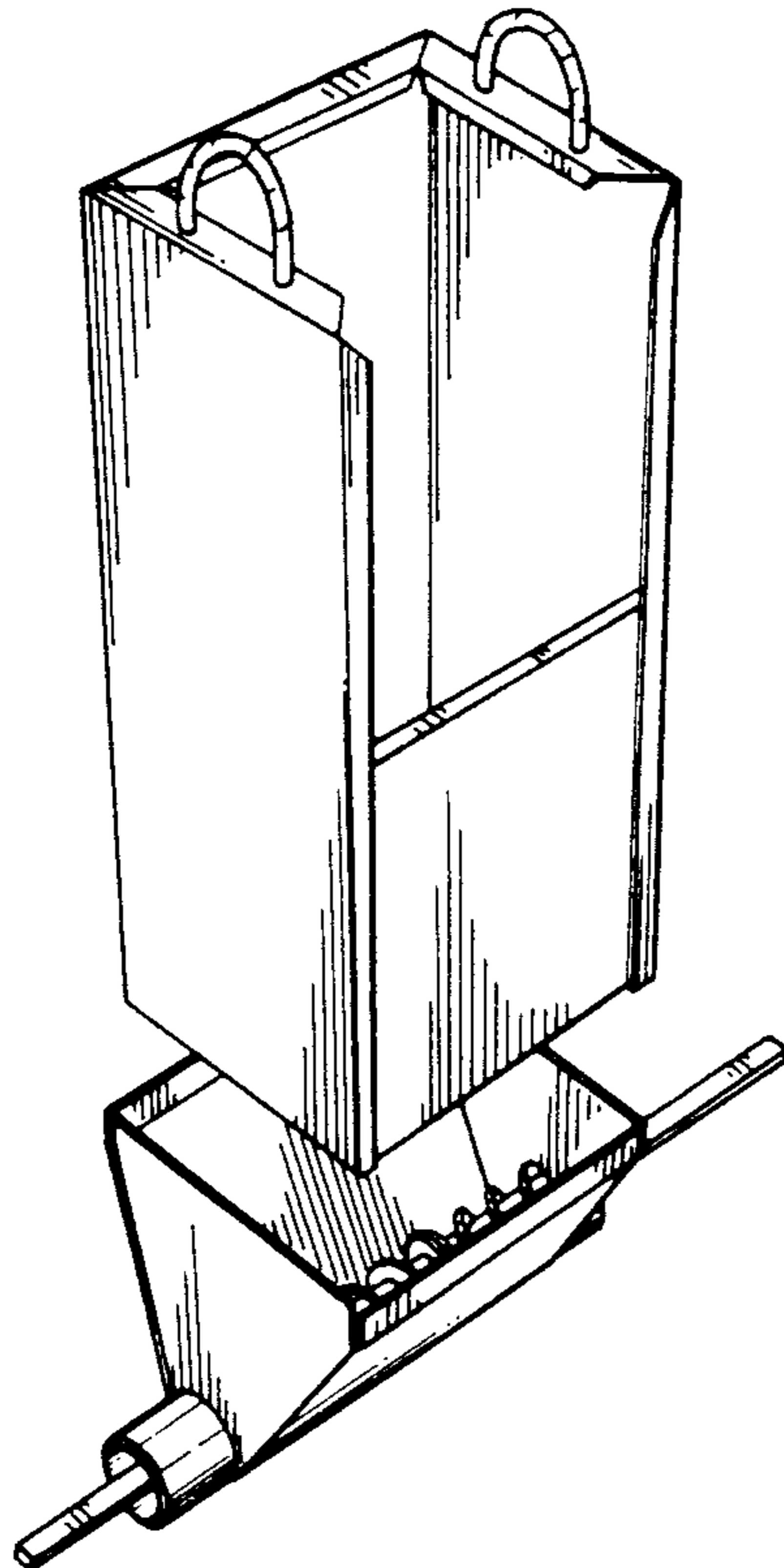


FIG. 1

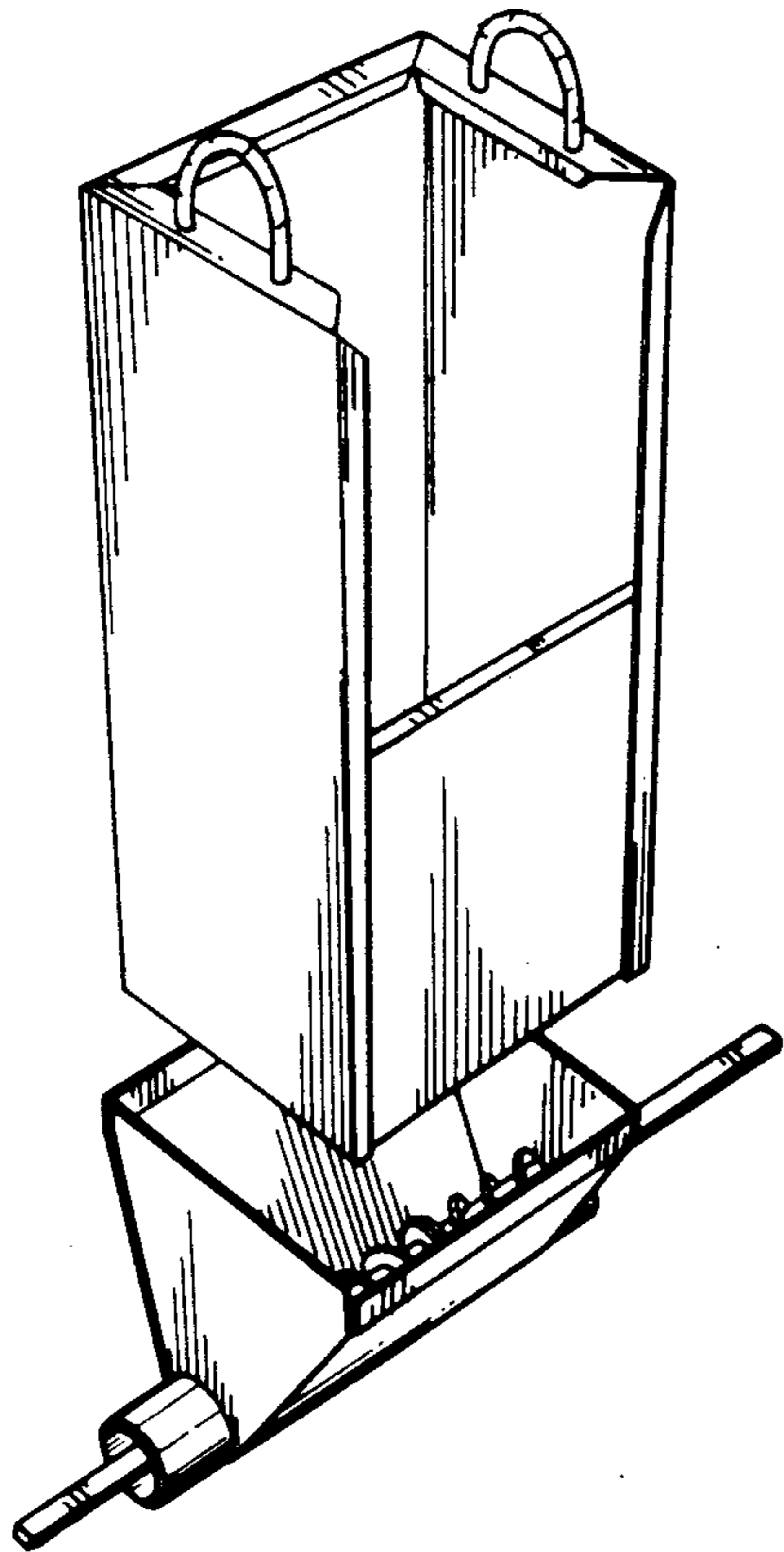


FIG. 2

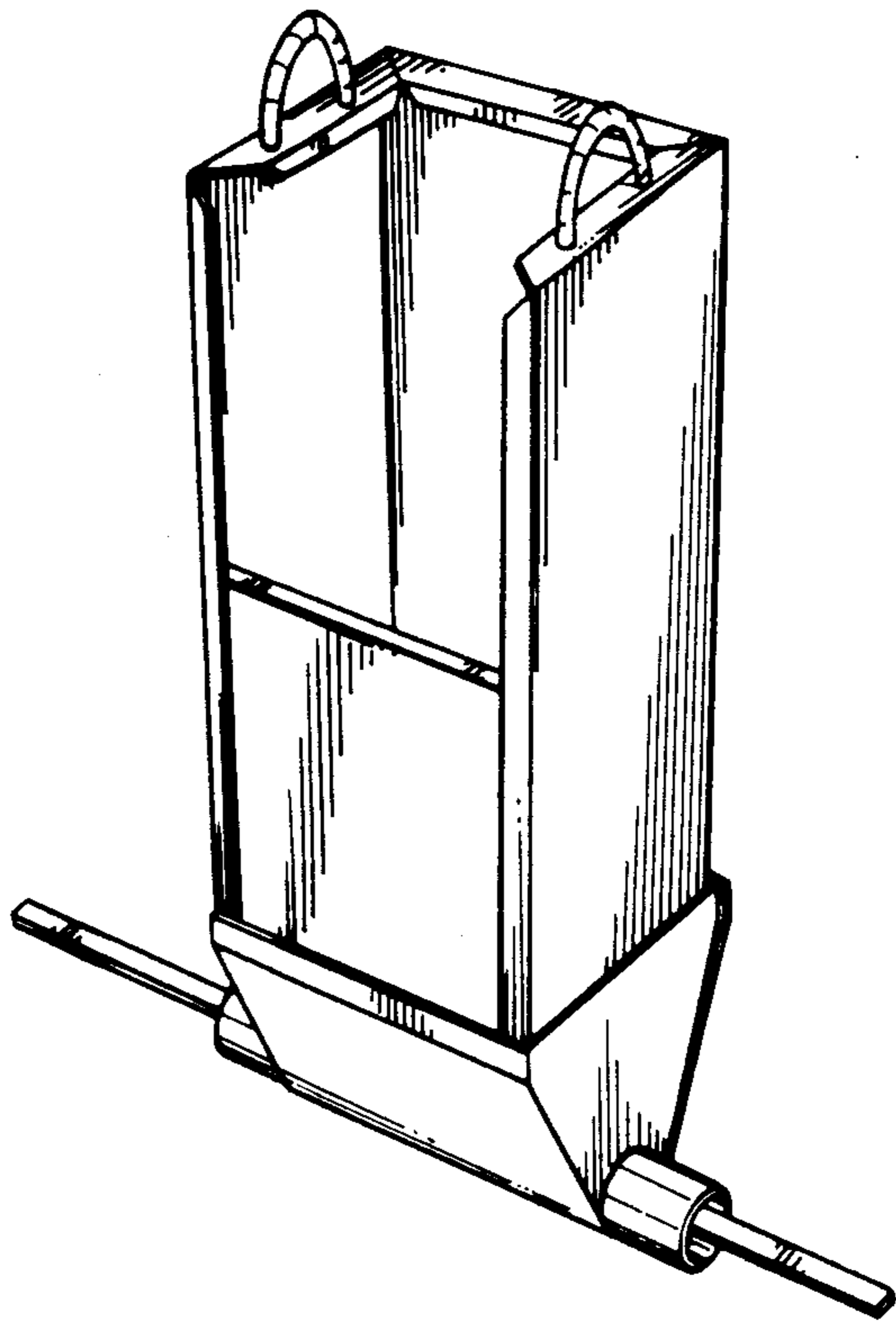


FIG. 3

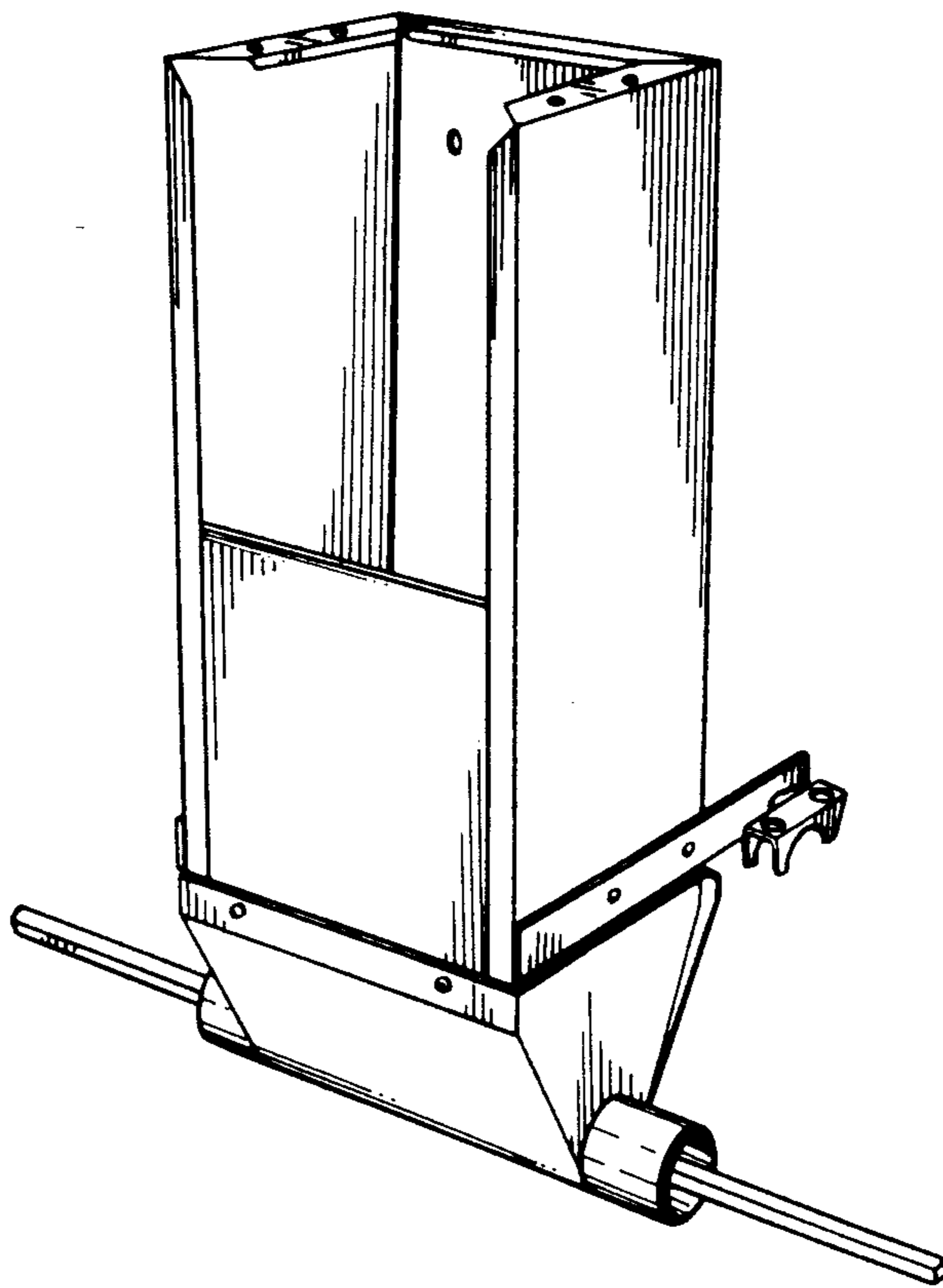


FIG. 4

