

[54] RECEIVER FOR A GOLF BALL CHIPPING GAME

2,121,270 6/1938 Streich ..... 273/180

[76] Inventors: Otto G. Arndt; James J. Arndt, both of 1708 S. Dahlia St., Denver, Colo. 80222

Primary Examiner—Melvin B. Feifer  
Attorney, Agent, or Firm—Frank C. Lowe

[\*\*] Term: 14 Years

[57] CLAIM

The ornamental design for a receiver for a golf ball chipping game, as shown and described.

[21] Appl. No.: 944,609

DESCRIPTION

[22] Filed: Sep. 18, 1978

FIG. 1 is a perspective view of our new design for a receiver for a golf ball chipping game;

[51] Int. Cl. .... D21-02

FIG. 2 is a plan view of the same;

[52] U.S. Cl. .... D21/234

FIG. 3 is a front elevational view of the plan shown at FIG. 2;

[58] Field of Search ..... D21/8, 234; 273/178 R, 273/178 A, 178 B, 180

FIG. 4 is a transverse sectional view as taken from the indicated line 4-4 at FIG. 2; and

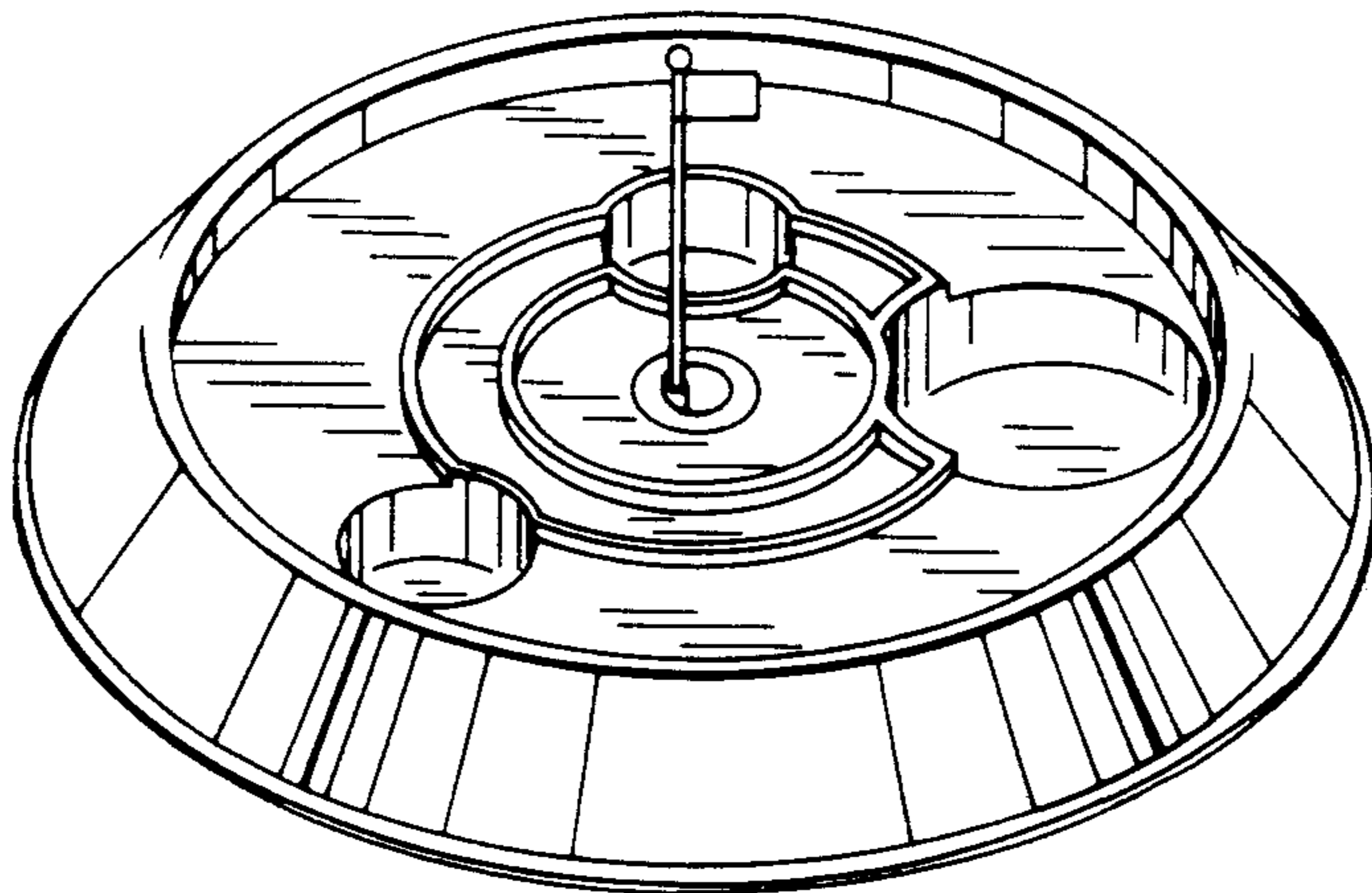
[56] References Cited

U.S. PATENT DOCUMENTS

FIG. 5 is a sectional view as taken from the indicated line 5-5 at FIG. 2.

D. 242,370 11/1976 Arndt et al. .... D21/234

The underside view appears the same as the plan view at FIG. 2 with the components being reversed.



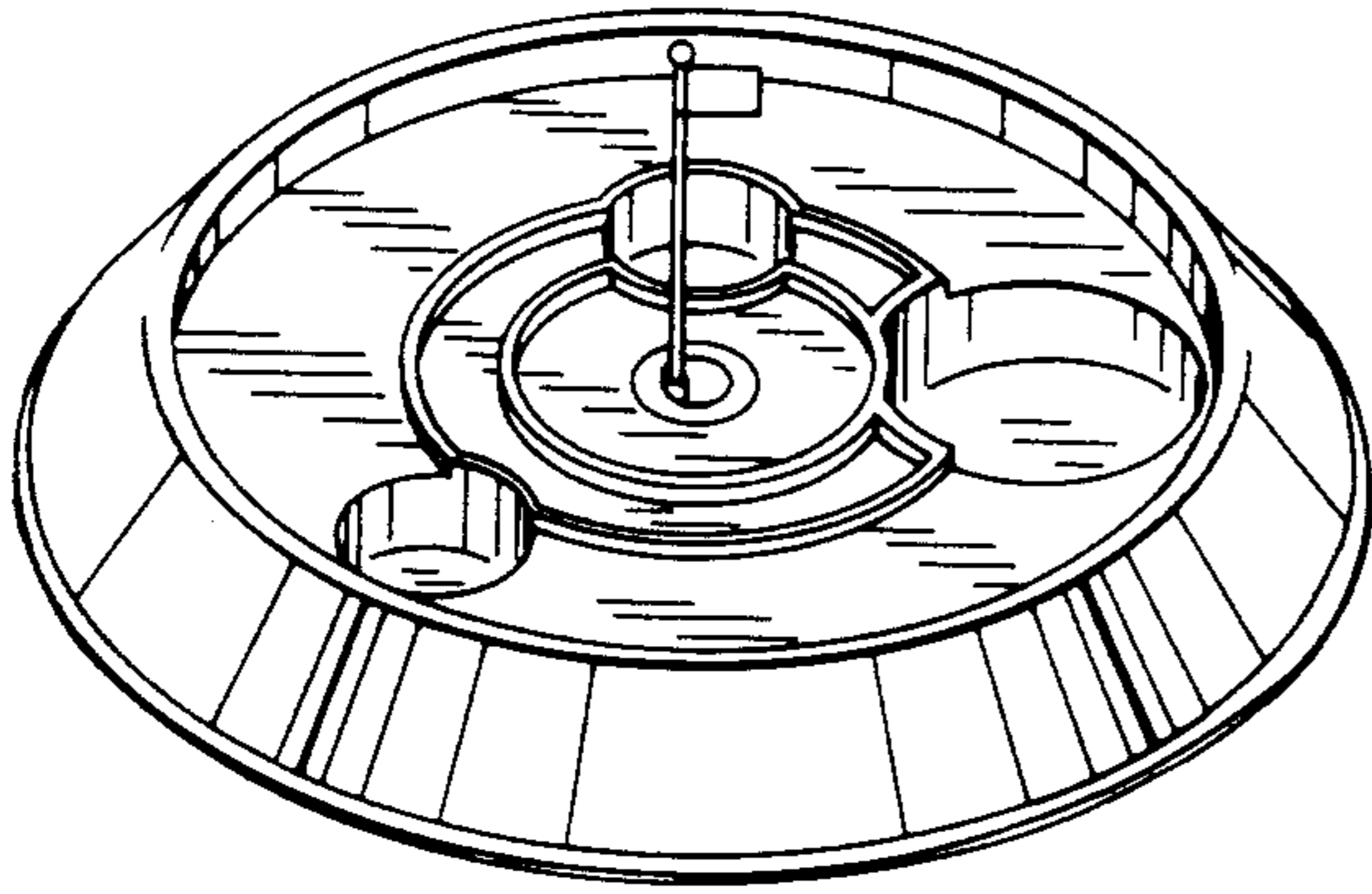


Fig-1

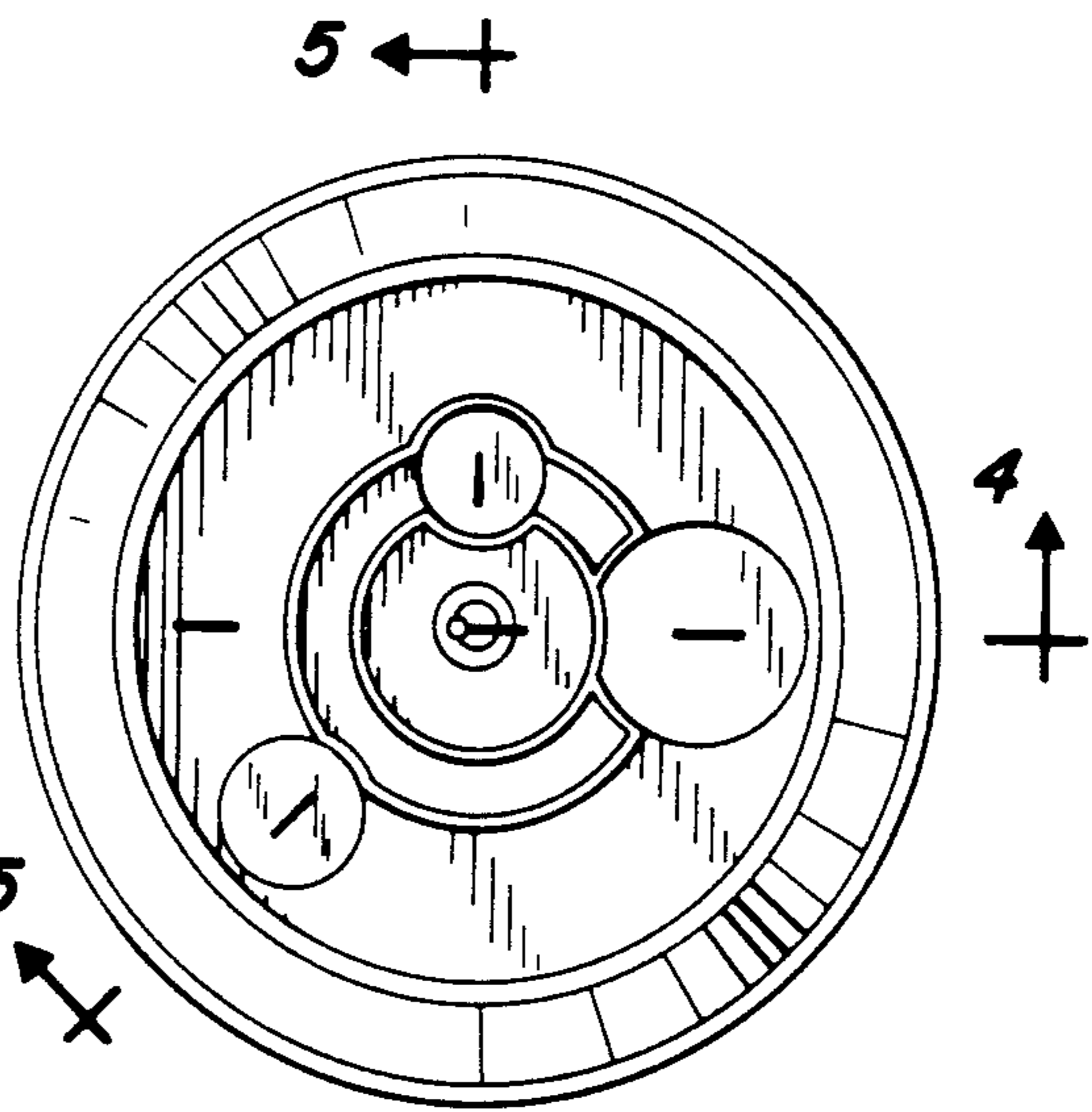


Fig-2

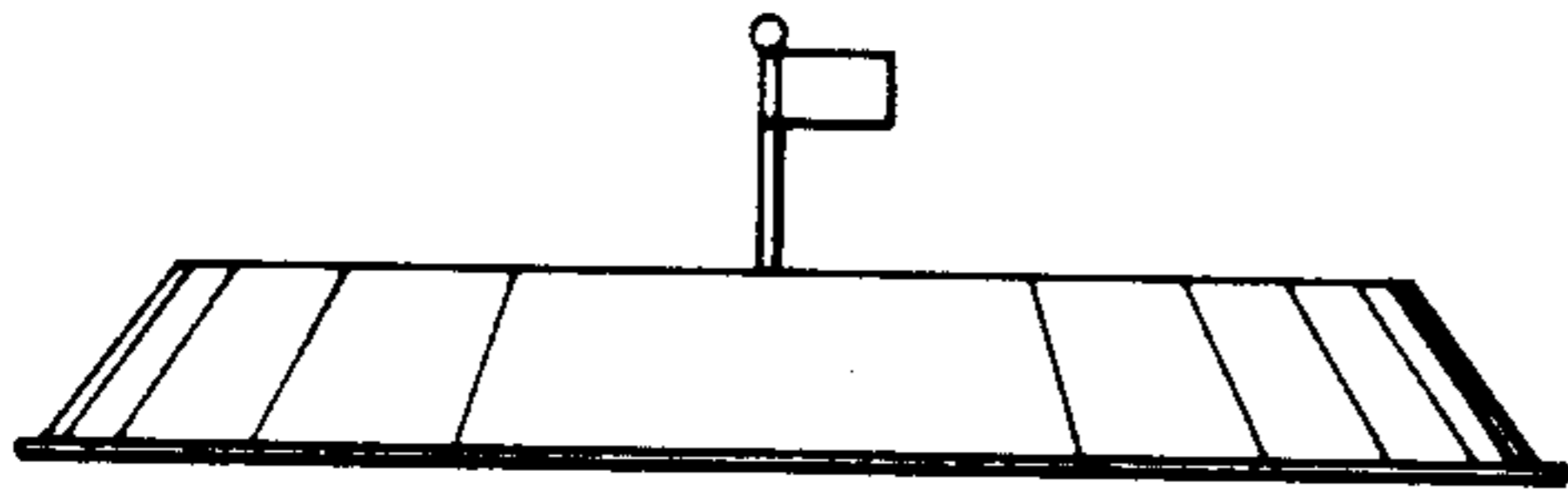


Fig-3

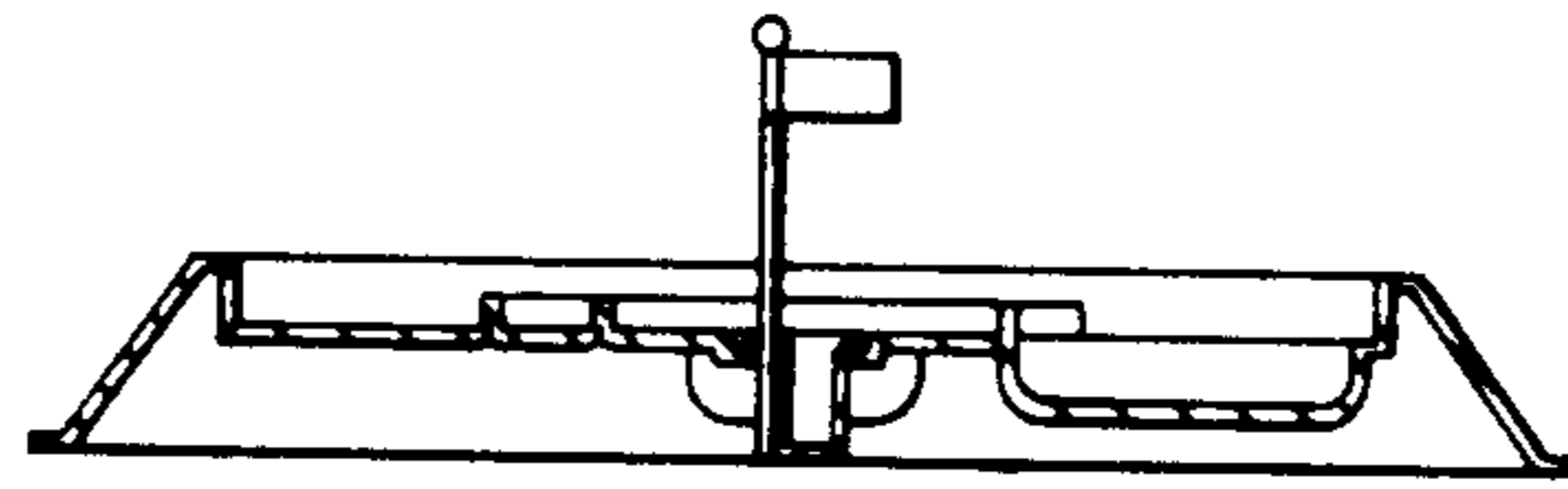


Fig-4

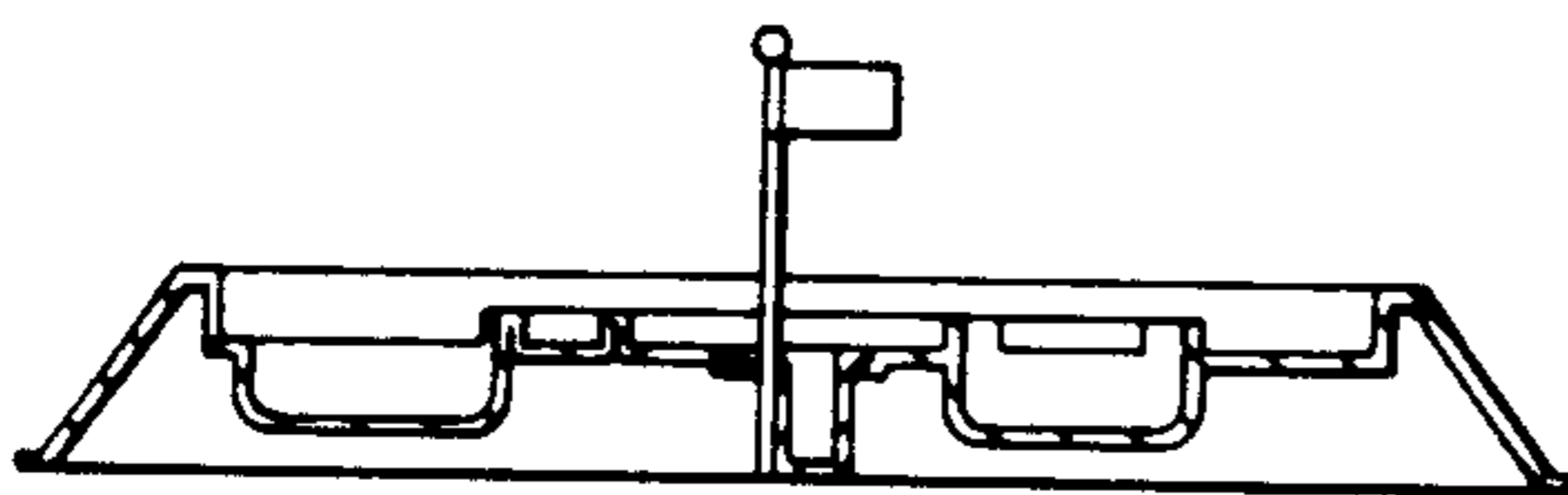


Fig-5