

[54] SIMULATIVE DRIVING TOY
 [75] Inventor: Manfred Strauss, Randolph, N.J.
 [73] Assignee: Shelcore, Inc., New York, N.Y.
 [**] Term: 14 Years
 [21] Appl. No.: 950,173
 [22] Filed: Oct. 10, 1978
 [51] Int. Cl. D21-01
 [52] U.S. Cl. D21/142
 [58] Field of Search D21/109, 141, 142;
 46/1 B; D19/63; 35/12 F, 10.23, 11 R, 11 A

3,715,832 2/1973 Torres 46/1 B
 4,167,772 9/1979 Weir et al. 46/1 B

Primary Examiner—Charles A. Rademaker
 Attorney, Agent, or Firm—David B. Kirschstein

[57] CLAIM

The ornamental design for a simulative driving toy, substantially as shown.

DESCRIPTION

FIG. 1 is a perspective view of a simulative driving toy showing my new design;
 FIG. 2 is a front elevational view thereof shown on a slightly enlarged scale;
 FIG. 3 is a left side elevational view thereof;
 FIG. 4 is a top plan view thereof taken along line 4—4 in FIG. 3;
 FIG. 5 is a rear elevational view thereof; and
 FIG. 6 is a bottom plan view thereof taken along line 6—6 in FIG. 3.

[56] References Cited
 U.S. PATENT DOCUMENTS
 D. 151,688 11/1948 Foster D21/142
 D. 200,863 4/1965 Stubbmann D21/142
 D. 220,636 5/1971 Stubbmann D21/142
 3,120,716 2/1964 Orenstein 46/254

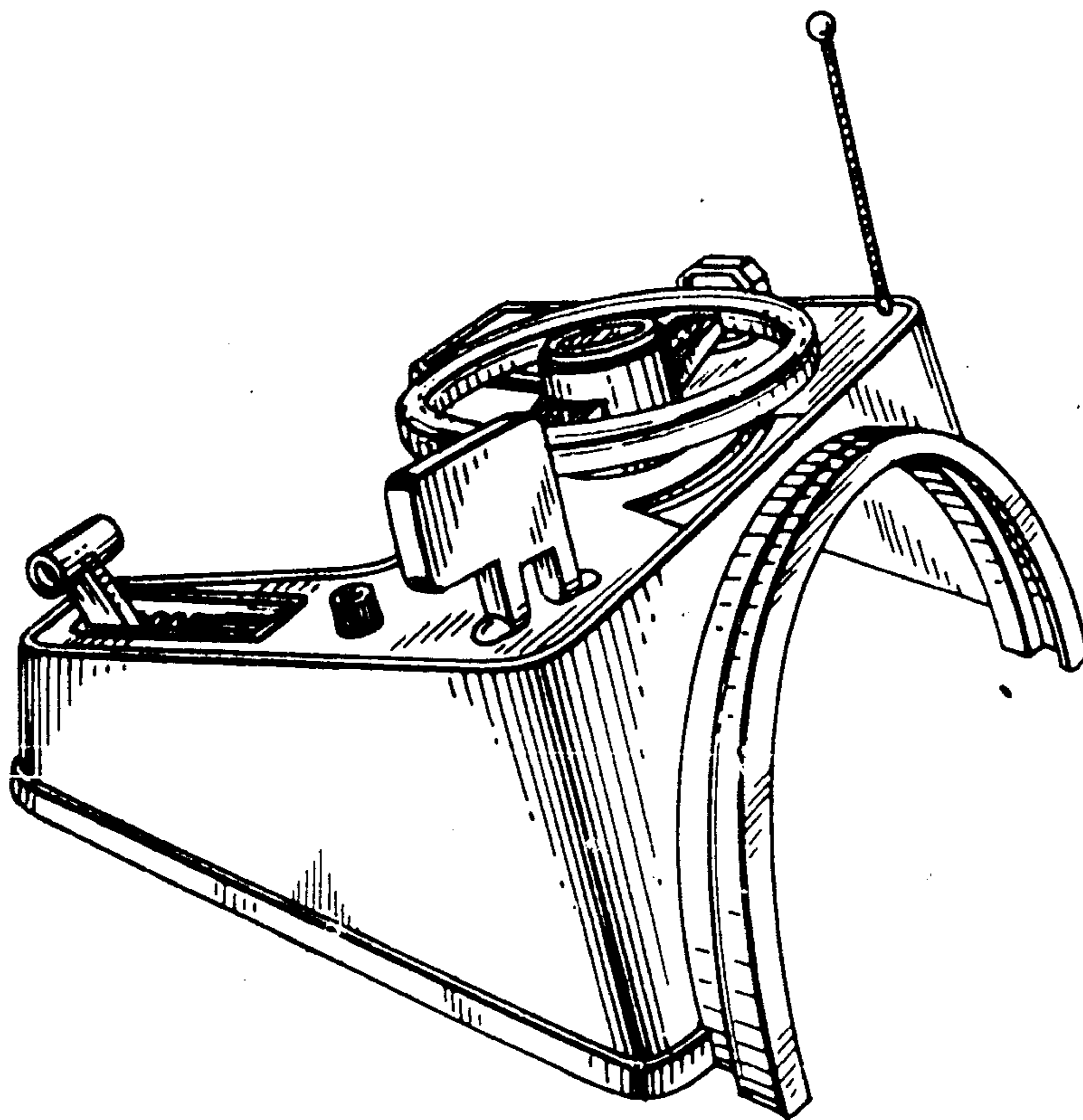


FIG. 1

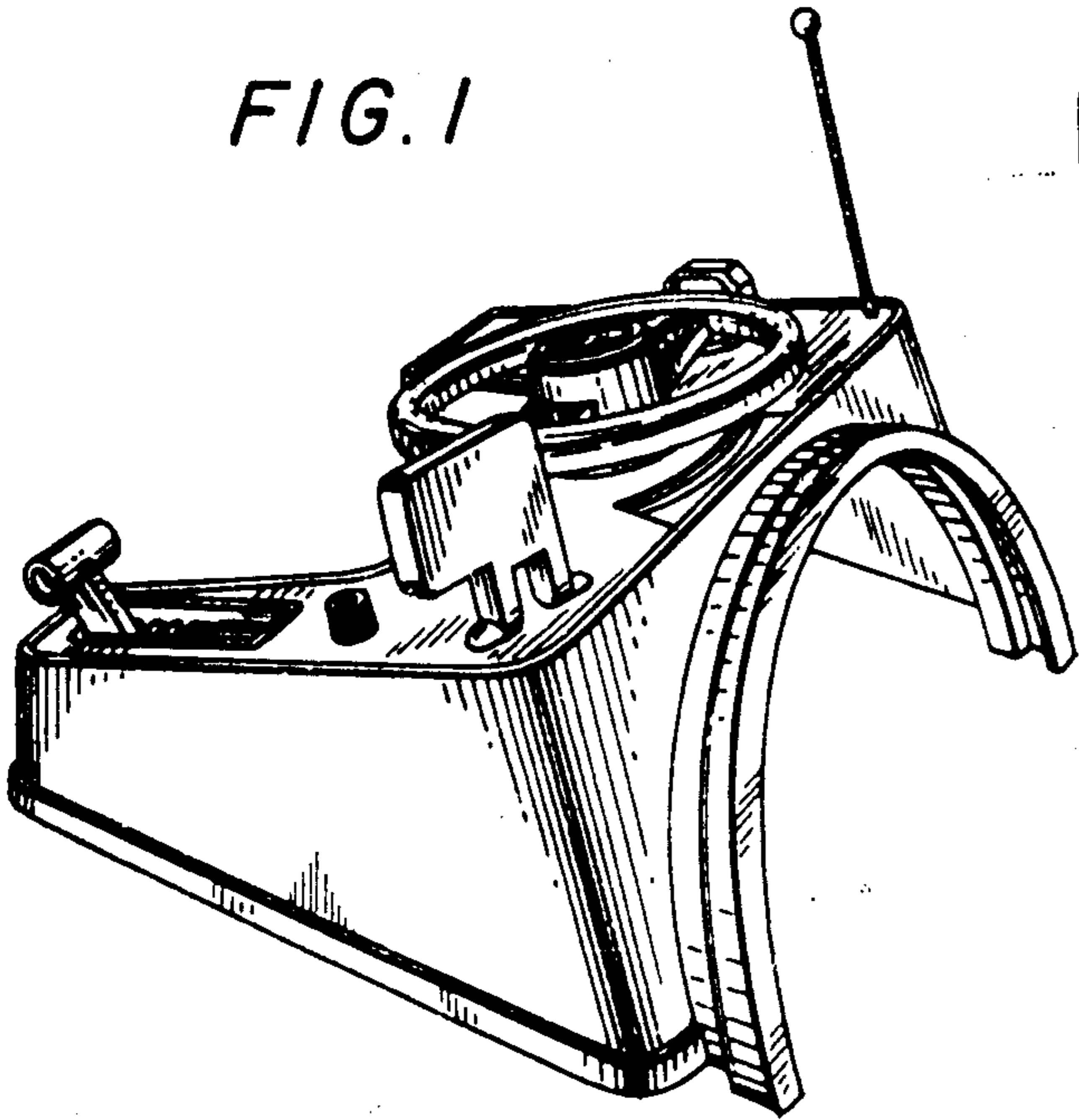


FIG. 4

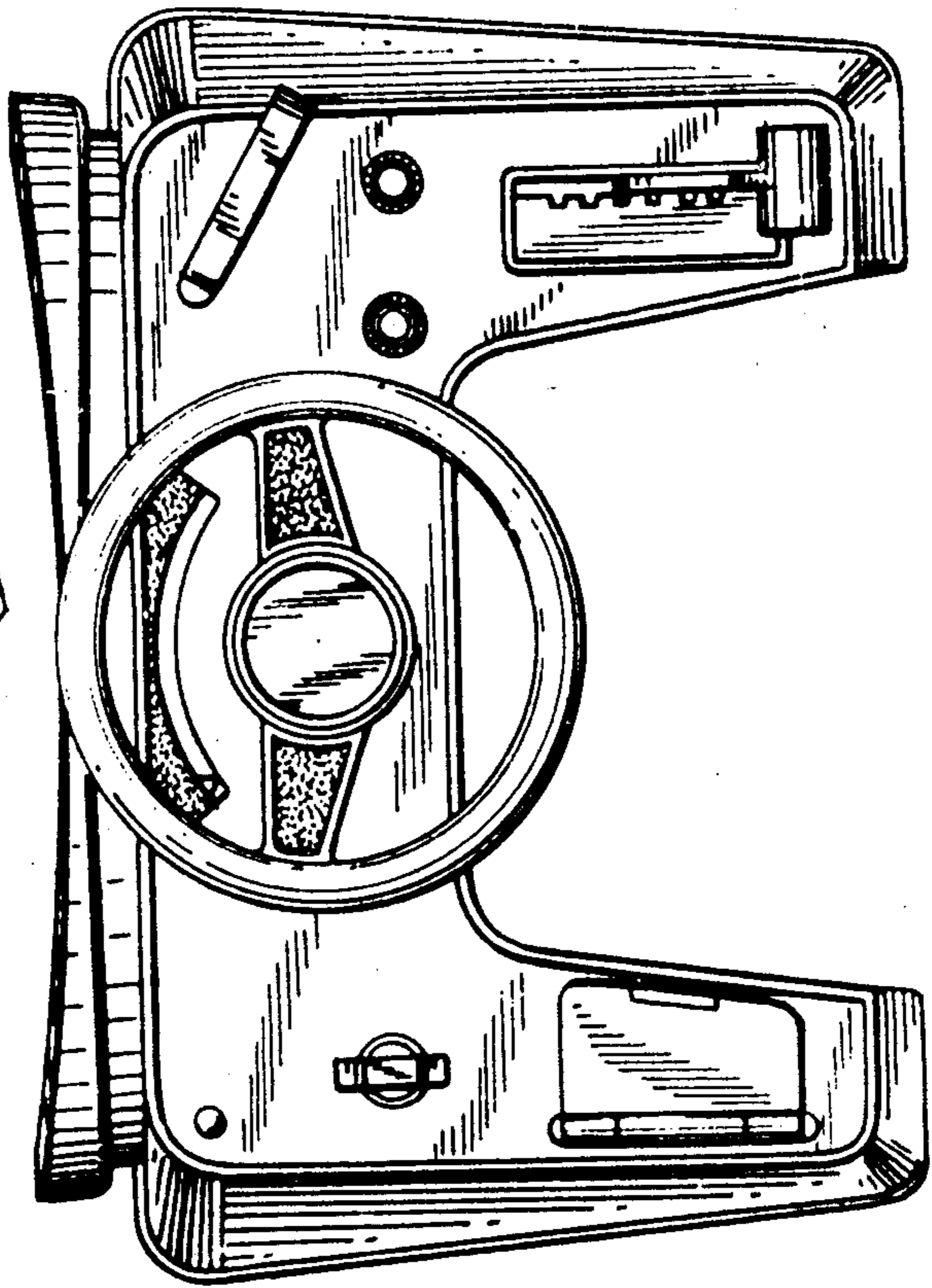


FIG. 2

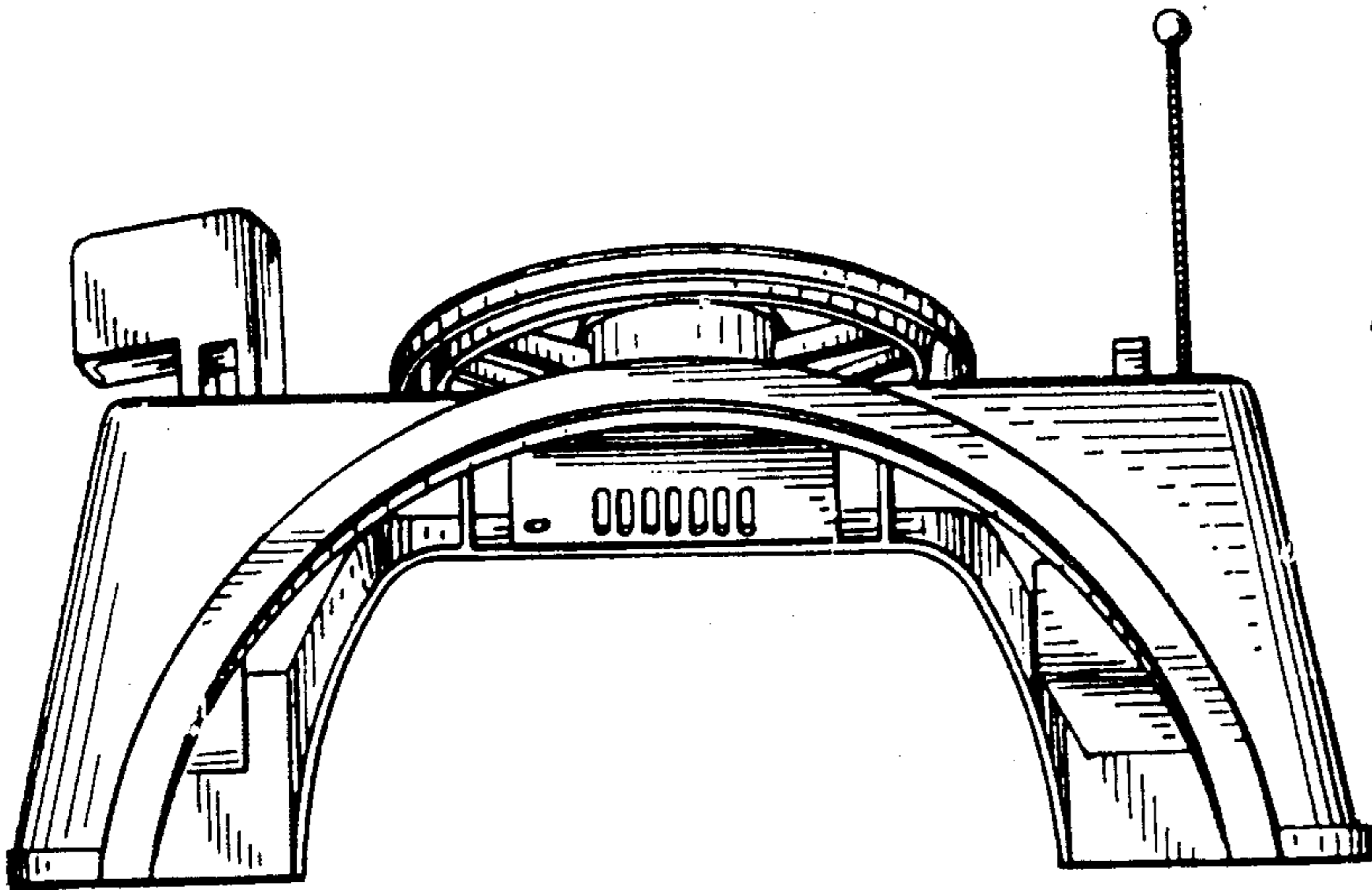


FIG. 3

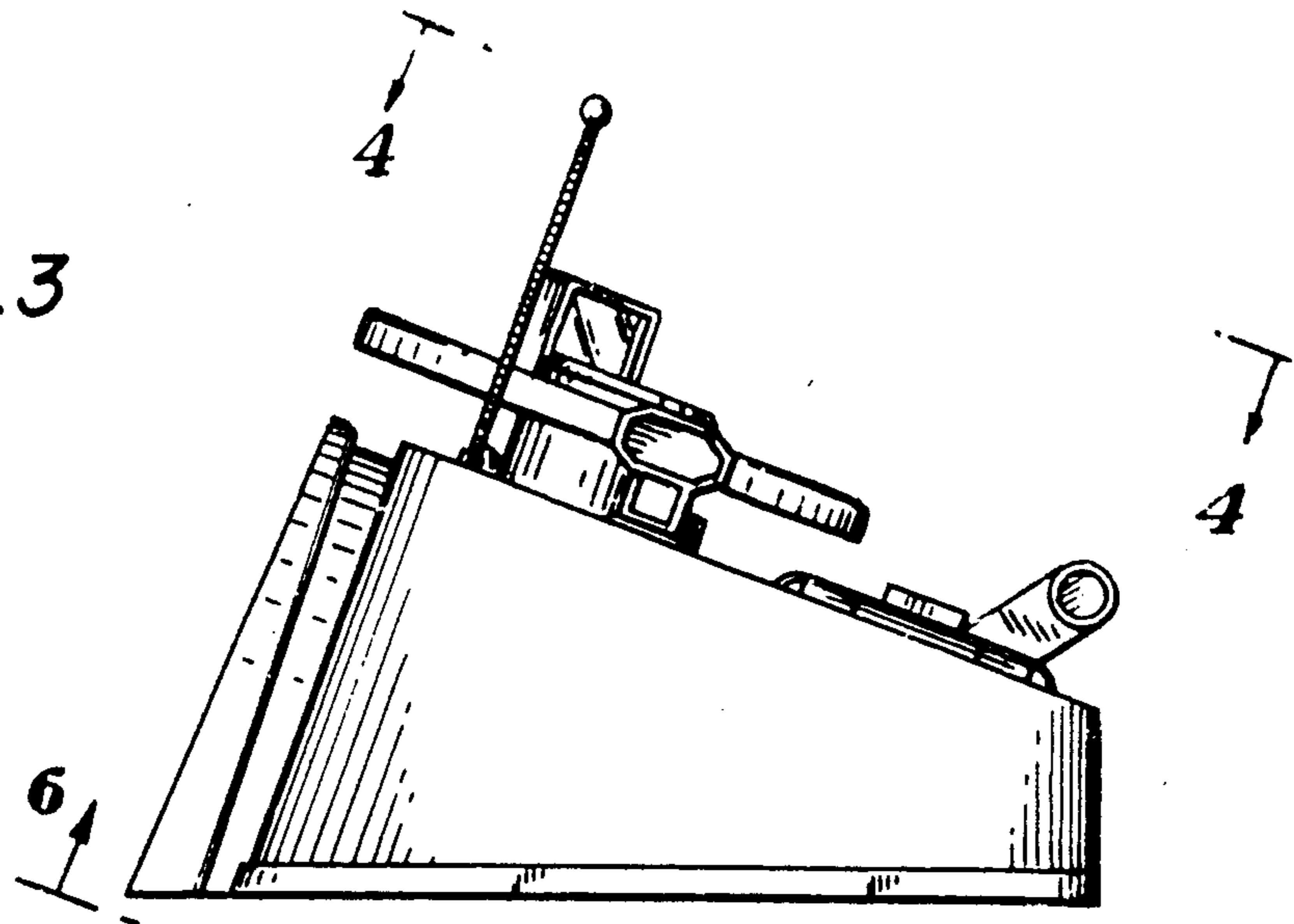


FIG. 5

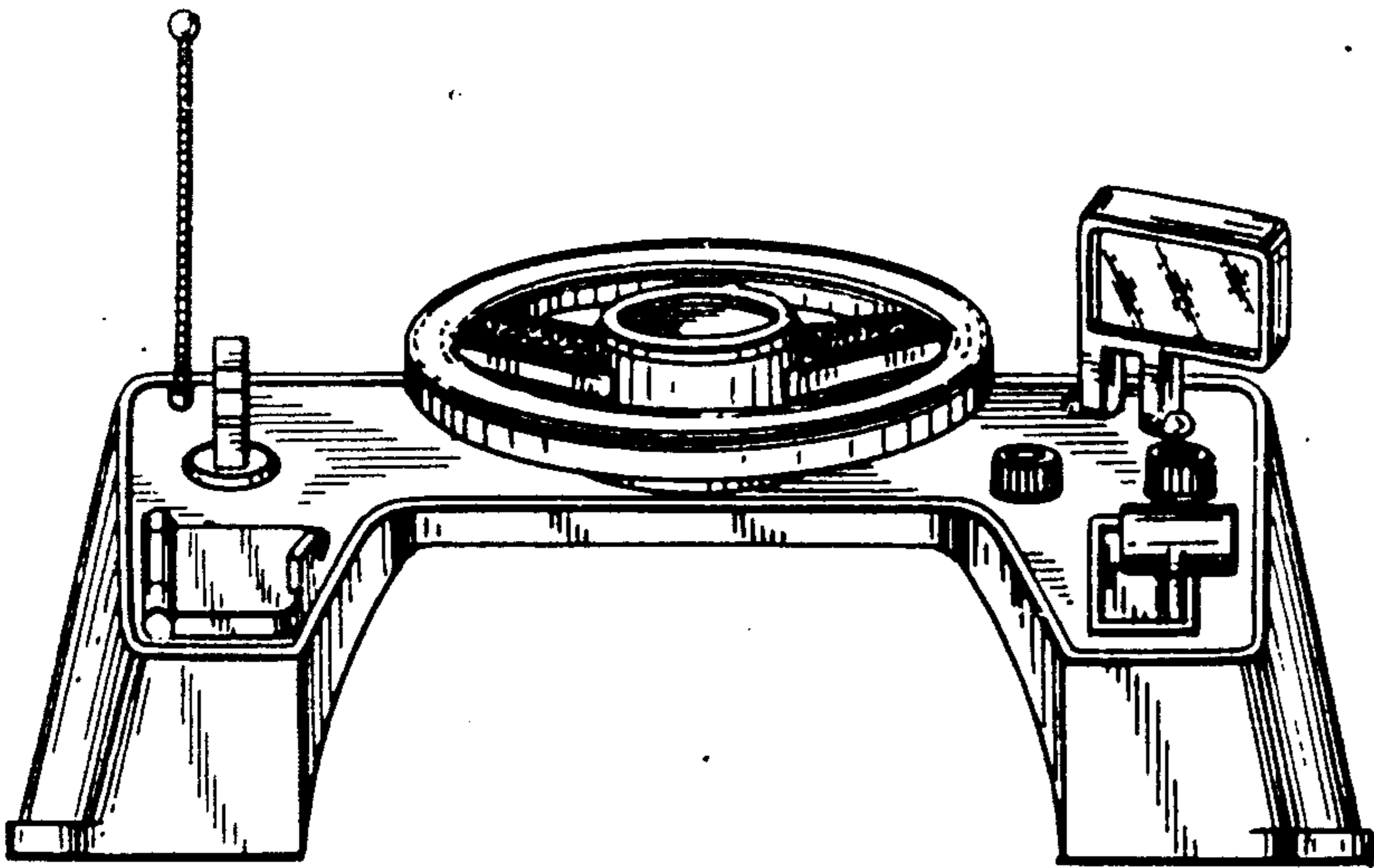
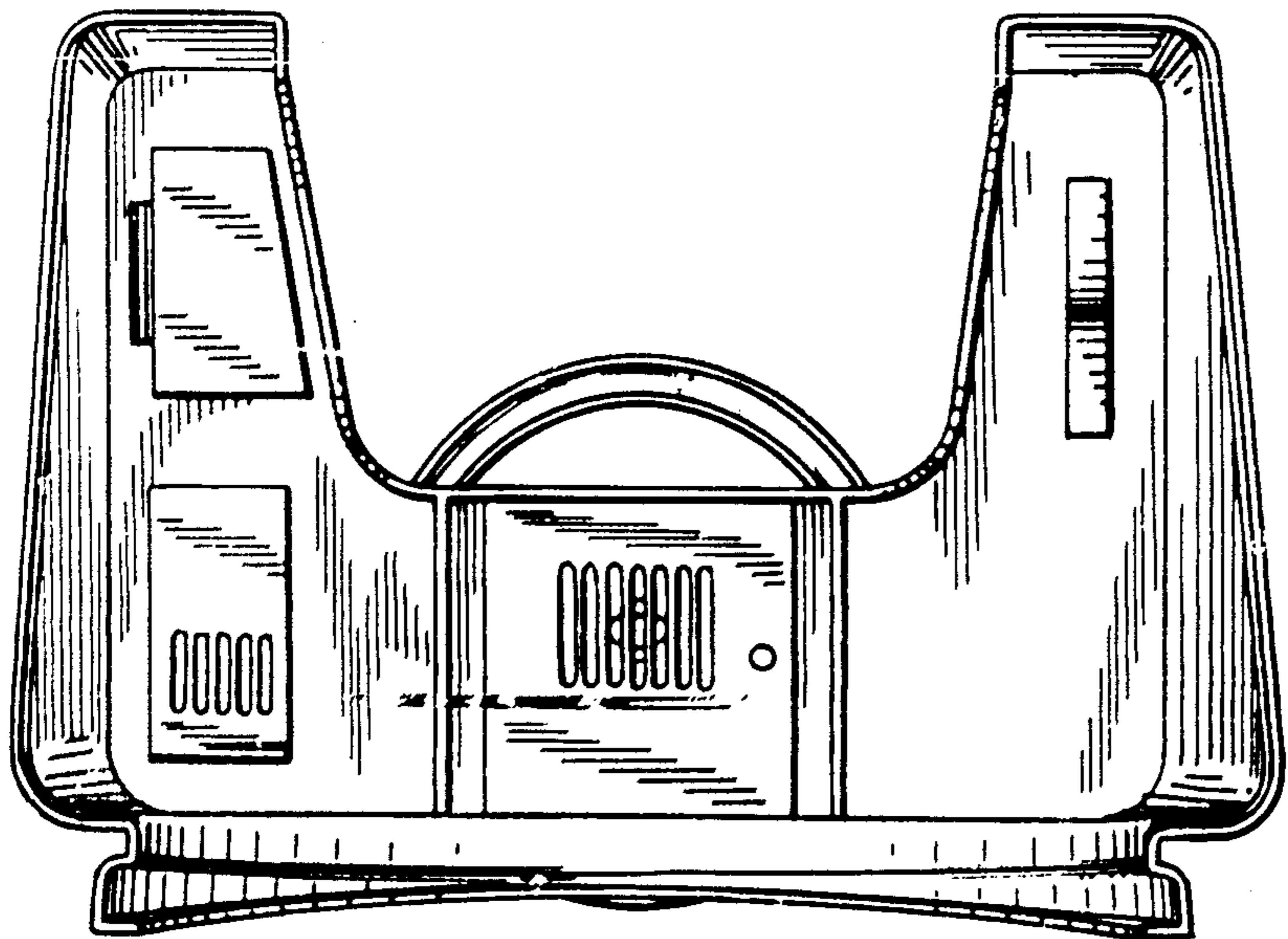


FIG. 6



UNITED STATES PATENT AND TRADEMARK OFFICE

Certificate

Patent No. D. 257,780

Patented January 6, 1981

Manfred Strauss

Application having been made by Manfred Strauss, the inventor named in the patent above identified, and Shelcore, Inc., New York, N.Y., a corporation of New Jersey, the assignee, for the issuance of a certificate under the provisions of Title 35, Section 256, of the United States Code, adding the name of Joseph A. Marino as a joint inventor, and a showing and proof of facts satisfying the requirements of the said section having been submitted, it is this 13th day of Sept. 1983, certified that the name of the said Joseph A. Marino is hereby added to the said patent as a joint inventor with the said Manfred Strauss.

Fred W. Sherling,
Associate Solicitor