

[54] **BASE FOR A DESK PEN SET AND CALENDAR OR SIMILAR ARTICLES**

[75] Inventor: **William Macowski**, Caldwell, N.J.

[73] Assignee: **Ketcham & McDougall, Inc.**

[\*\*] Term: **14 Years**

[21] Appl. No.: **907,309**

[22] Filed: **May 18, 1978**

[51] Int. Cl. .... **D19-99**

[52] U.S. Cl. .... **D19/99; D19/75; D19/77; D19/92**

[58] Field of Search ..... **D19/20-25, D19/65, 75-79, 83, 92, 95, 99; D9/234; D3/74, 75**

[56] **References Cited**

**U.S. PATENT DOCUMENTS**

D. 188,967 10/1960 Bieger ..... D19/99

*Primary Examiner*—George P. Word  
*Attorney, Agent, or Firm*—Morris Relson

[57] **CLAIM**

The ornamental design for a base for a desk pen set and calendar or similar articles, as shown and described.

**DESCRIPTION**

FIG. 1 is a perspective view of a base for a desk pen set and calendar or similar articles showing my new design; FIG. 2 is a top plan view; FIG. 3 is a left side elevational view, the right side elevational view being a mirror image thereof; FIG. 4 is a front elevational view; FIG. 5 is a rear elevational view; and FIG. 6 is a bottom plan view.

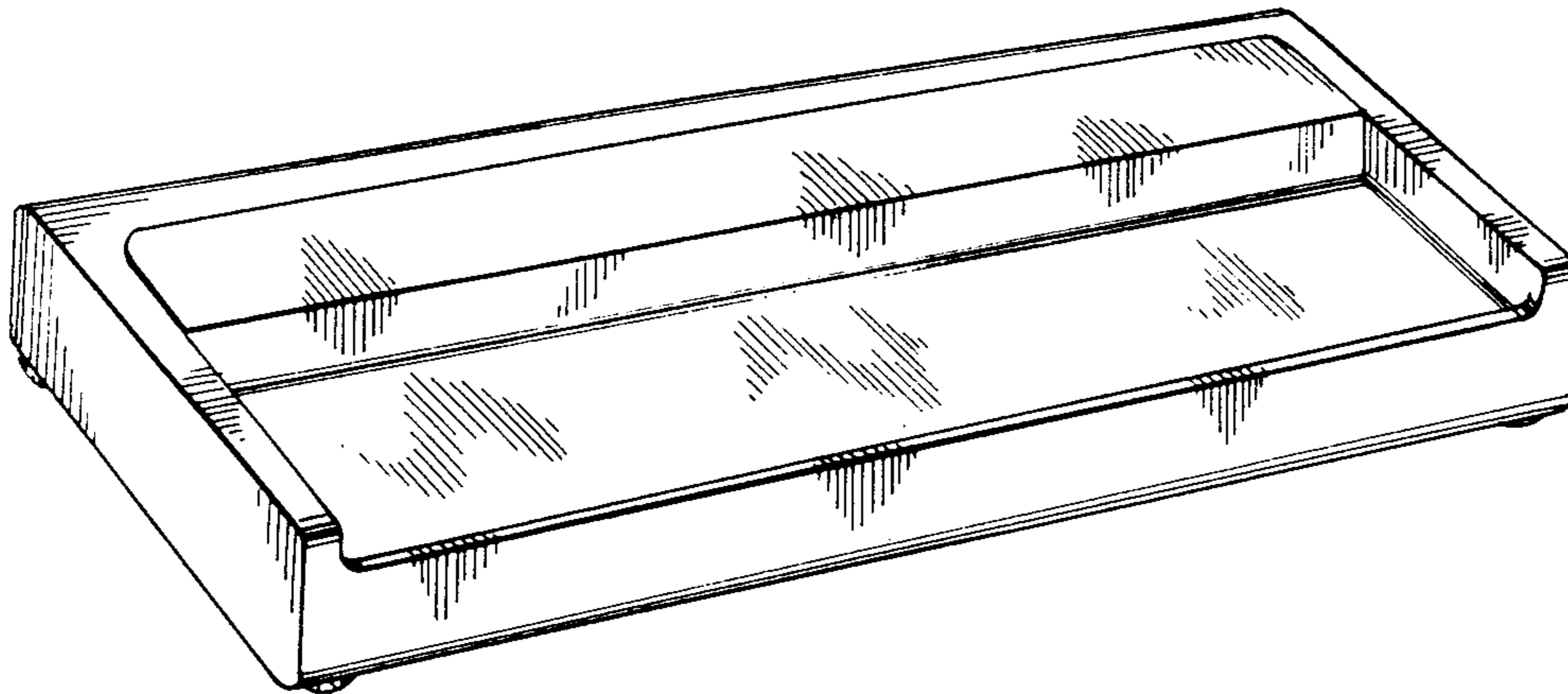


FIG. 1

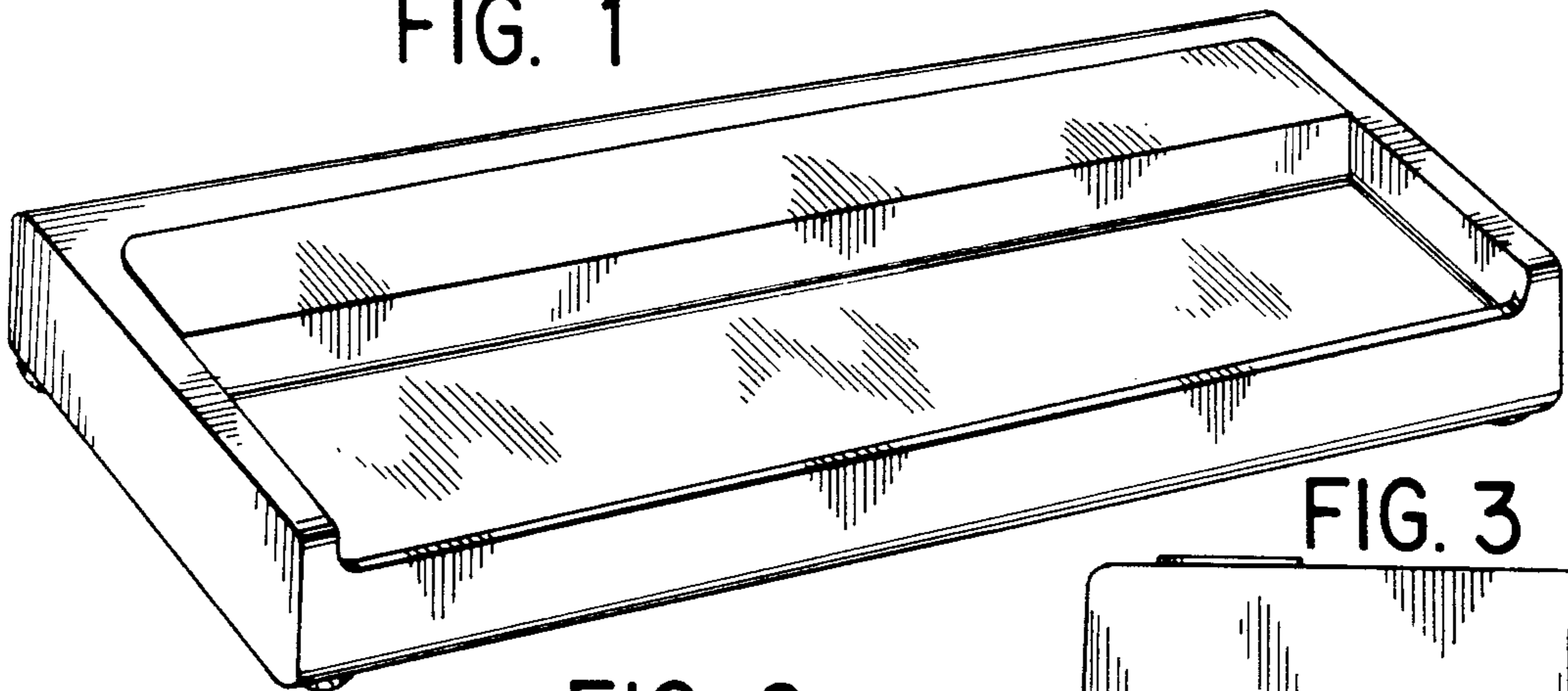


FIG. 2

FIG. 3

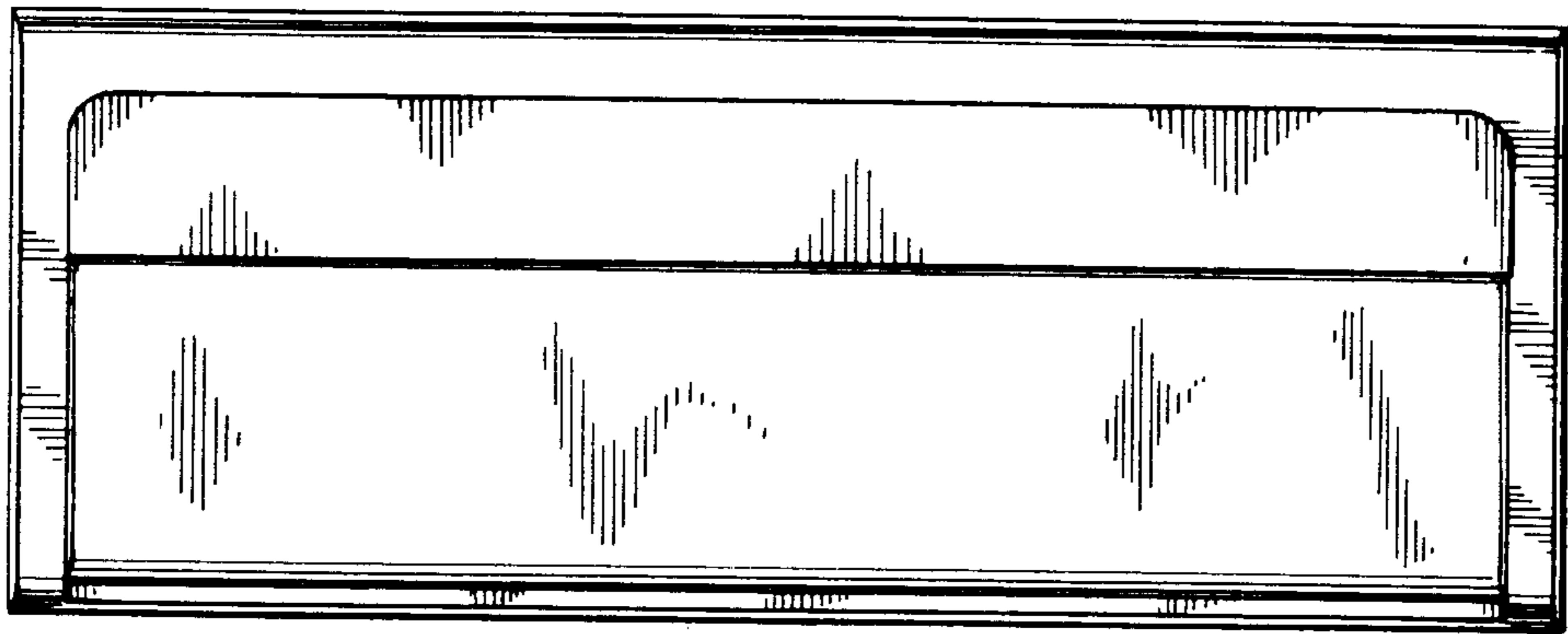
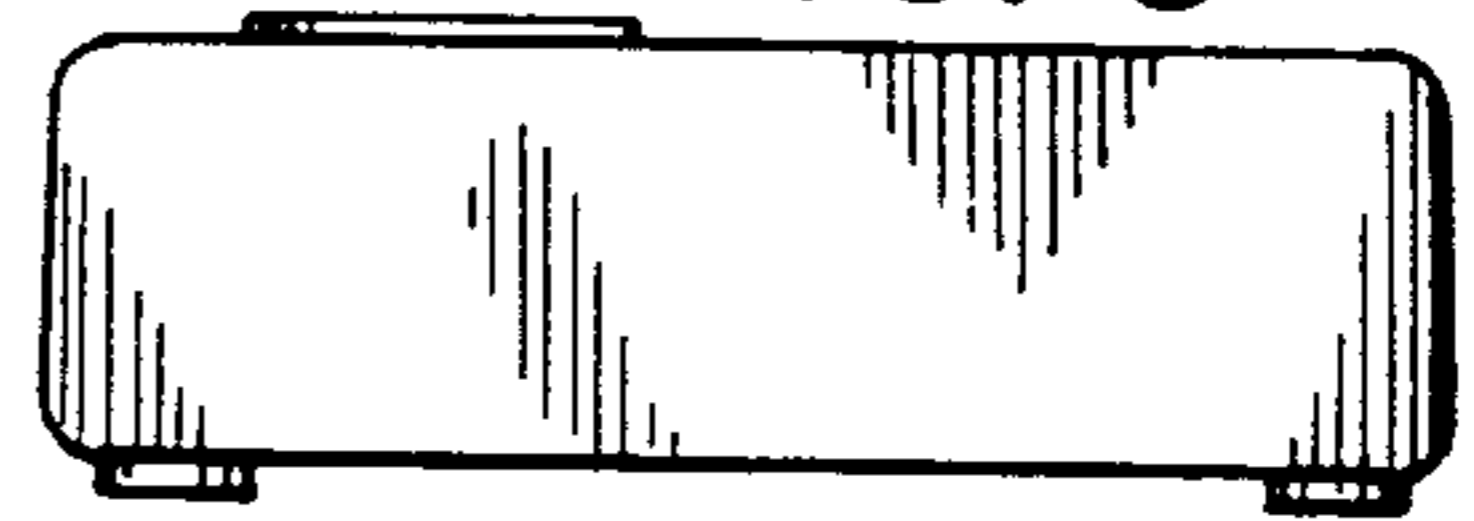


FIG. 4

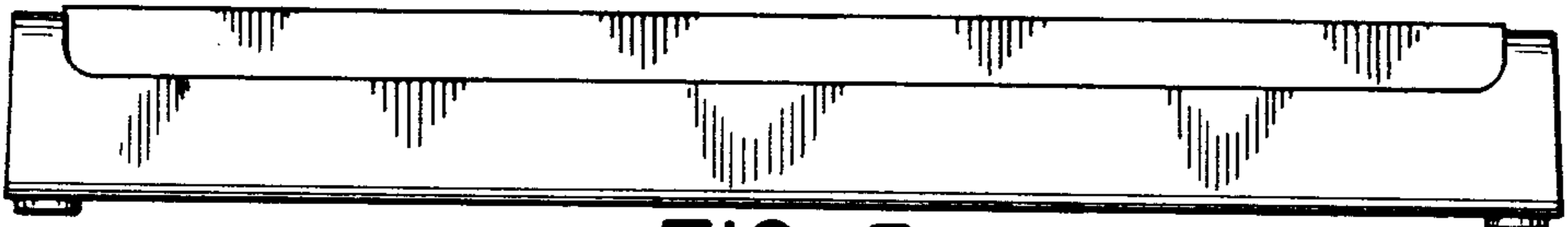


FIG. 5



FIG. 6

